

**PowerLite® Pro Cinema 1080 UB  
Home Theater Projector**

**User's Guide**

## Copyright Notice

All rights reserved. No part of this publication may be reproduced, stored in a retrieval system, or transmitted in any form or by any means, electronic, mechanical, photocopying, recording, or otherwise, without the prior written permission of Seiko Epson Corporation. The information contained herein is designed only for use with this Epson product. Epson is not responsible for any use of this information as applied to other products.

Neither Seiko Epson Corporation nor its affiliates shall be liable to the purchaser of this product or third parties for damages, losses, costs, or expenses incurred by purchaser or third parties as a result of: accident, misuse, or abuse of this product or unauthorized modifications, repairs, or alterations to this product, or (excluding the U.S.) failure to strictly comply with Seiko Epson Corporation's operating and maintenance instructions.

Seiko Epson Corporation shall not be liable for any damages or problems arising from the use of any options or any consumable products other than those designated as Original Epson Products or Epson Approved Products by Seiko Epson Corporation.

## Trademarks

Epson is a registered trademark, and Epson Exceed Your Vision, C<sup>2</sup> Fine, 1080Perfect are trademarks of Seiko Epson Corporation.

PowerLite and PrivateLine are registered trademarks, AccuCinema is a trademark, Epson Extra Care, Epson Store, and Epson Connection are service marks of Epson America, Inc.

HDMI, the HDMI logo, and High-Definition Multimedia Interface are trademarks or registered trademarks of HDMI Licensing, LLC.

Pixelworks, DNX, and the DNX logo are trademarks of Pixelworks, Inc.

General Notice: Other product names used herein are for identification purposes only and may be trademarks of their respective owners. Epson disclaims any and all rights in those marks.

The contents of this manual are subject to change without notice.

# Contents

<b>Introduction</b>	<b>7</b>
Projector Parts	8
Front	8
Back	8
Bottom	9
Projector Control Panel	9
Remote Control Button Map	10
Optional Accessories	11
Registration and Warranty	11
Using This Manual	12
<b>Setting Up the Projector</b>	<b>13</b>
Choosing a Location	13
Installing the Projector	16
Connecting the Cables	18
Connecting Video and Computer Equipment	18
Making Other Connections	20
Installing Batteries in the Remote Control	21
Turning the Projector On and Off	22
Selecting the Image Source	23
Positioning the Image	25
<b>Making Basic Adjustments</b>	<b>27</b>
Focusing and Zooming	27
Choosing the Aspect Ratio	28
Choosing the Color Mode	29
Adjusting Color Temperature, Skin Tone, and Gamma	30
Locking the Projector	32

<b>Making Detailed Adjustments</b>	<b>33</b>
Using the Menu System	33
Changing How the Menus Display	34
Adjusting the Picture Quality	35
Input Brightness Settings	35
Sharpness and Picture Quality Settings	37
Color Settings	38
Adjustments for Computer Images	40
Selecting Memory Settings and Resetting the Projector	42
Selecting Memory Settings	42
Creating Memory Settings	42
Deleting Saved Memory Settings	43
Resetting the Projector	43
Customizing Projector Features	44
Image Sizing	44
Screen Options	45
Other Setup Options	45
<b>Maintenance</b>	<b>47</b>
Cleaning the Lens	47
Cleaning the Projector Case	48
Cleaning and Replacing the Air Filter	48
Replacing the Lamp	50
Resetting the Lamp Usage Timer	52
Checking the Projector Status	53
Storing the Projector	53
Transporting the Projector	54
<b>Problem Solving</b>	<b>55</b>
What To Do When the Lights Come On or Flash	55
Solving Picture Problems	56
Solving Remote Control Problems	59
Where To Get Help	60

<b>Specifications</b>	<b>61</b>
General	61
Lamp	61
Remote Control	61
Dimensions	62
Electrical	62
Environmental	62
Safety	62
Compatible Video Formats	63
ESC/VP21 Command Codes	65
<b>Notices</b>	<b>67</b>
Important Safety Information	67
FCC Compliance Statement	69
Declaration of Conformity	70
Epson America, Inc. Limited Warranty	71
<b>Index</b>	<b>73</b>



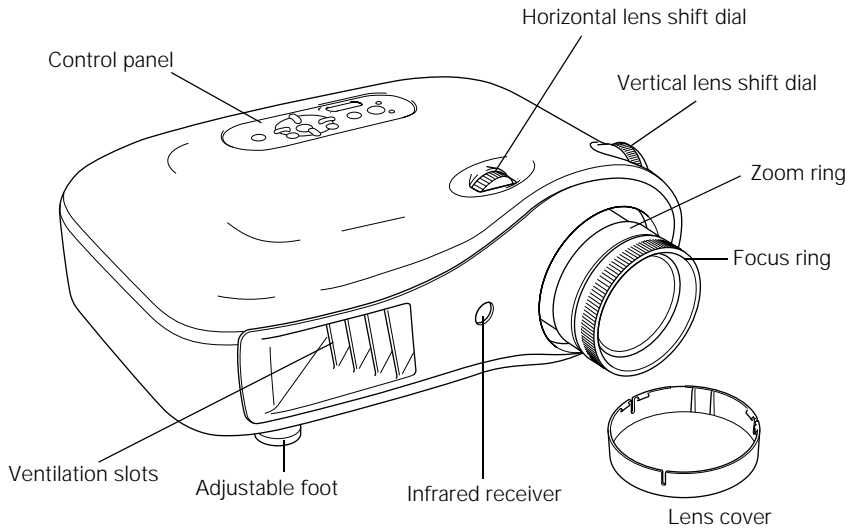
# Introduction

The PowerLite® Pro Cinema 1080 UB projector lets you enjoy theater-quality images in the relaxing environment of your own home. Designed especially for home cinema use, it offers these outstanding features:

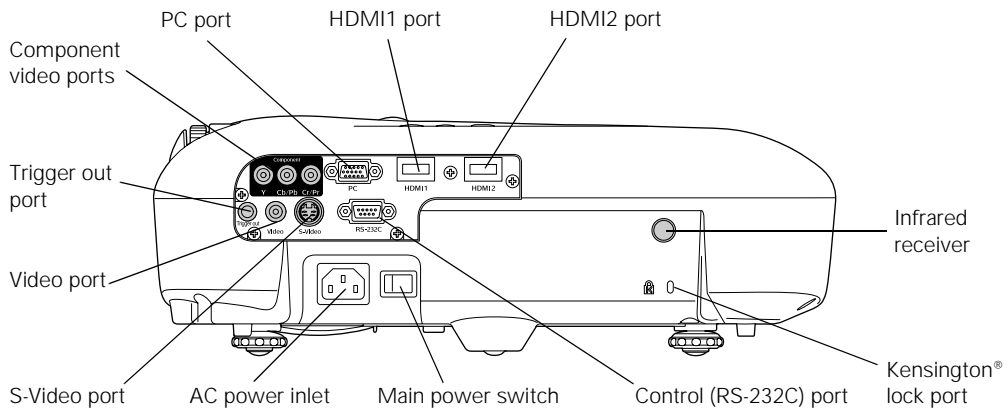
- Native 1080p (1920 × 1080) resolution and up to ANSI 1600 lumens for selected color modes provide incredibly rich, sharp images in almost any room lighting
- Auto Iris system that constantly controls the lamp intensity based on the gamma and black/white levels of your projected content for perfectly adjusted images
- A contrast ratio of up to 50000:1 ensures easy viewing of minute details, even in the shadow areas, creating true, cinematic contrast and the deepest blacks
- Epson® C<sup>2</sup> Fine™ 3LCD technology for more reliable picture quality, increased contrast ratio and uniform colors
- 1080Perfect™ video processing for more film-like images free of noise or artifacts; improved sharpness firmware ensures better image quality
- 12-bit color quality for unmatched color accuracy, with over a billion colors available
- Epson AccuCinema™ color management delivered by the built-in optical Cinema Filter blocks out excess light for an expanded, purer color range and sophisticated grayscale tracking
- Two HDMI™ (High Definition Multimedia Interface™) 1.3 ports for superior, uncompressed digital video
- True 16:9 wide-format projection
- Flexible setup configurations, including front projection and ceiling mounted, with vertical and horizontal offset lens shift
- Seven color modes to quickly optimize viewing for different lighting environments and a vast array of custom color adjustments
- Whisper-quiet (24dB) operation
- ISF certification
- Ceiling mount and replacement lamp included

# Projector Parts

## Front

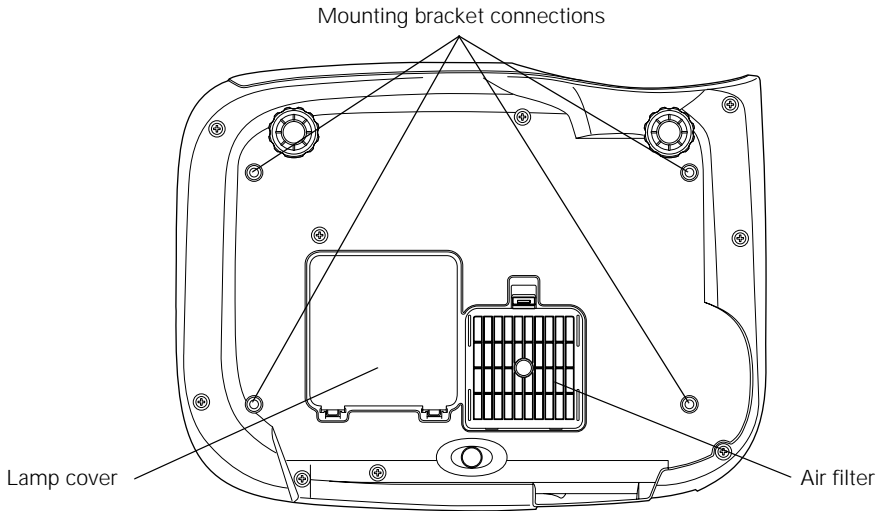


## Back

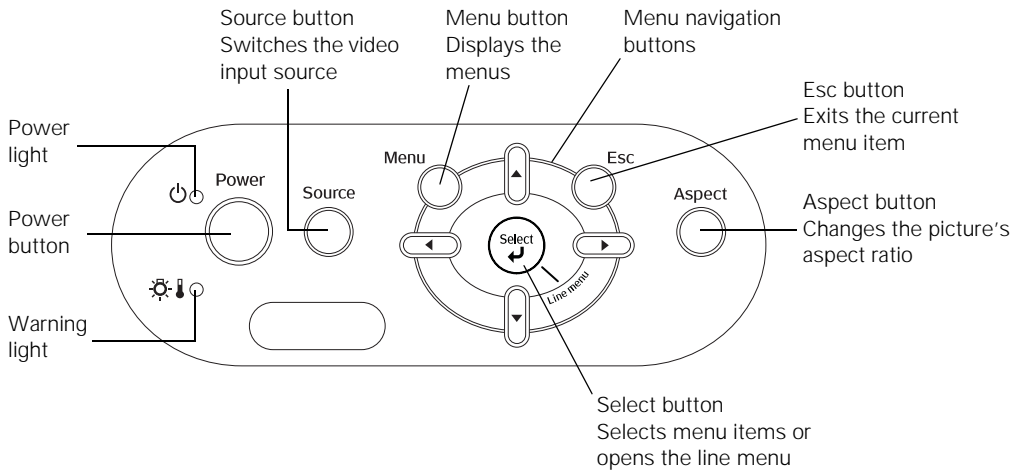




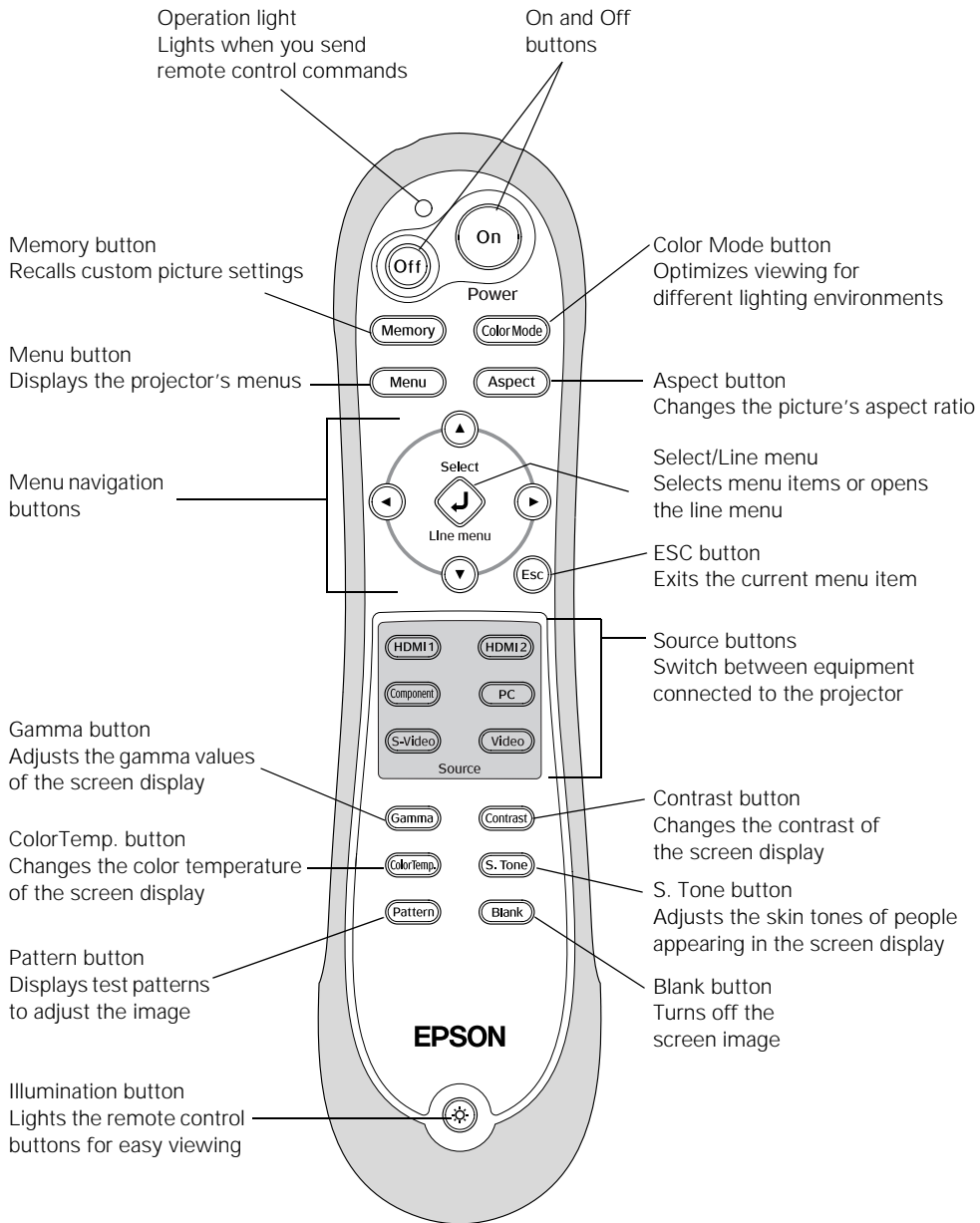
# Bottom



# Projector Control Panel



# Remote Control Button Map



## Optional Accessories

Epson provides the following optional accessories for the projector:

Product	Part number
Replacement lamp	V13H010L39 (ELPLP39)
Air filter replacement	V13H134A09 (ELPAF09)
Projector mount	ELPHB800
Kensington security lock (anti-theft device)	ELPSL01

You can purchase accessories from an authorized Epson reseller. To find the nearest reseller, please call 800-GO-EPSON (800-463-7766). To purchase online, visit [www.epsonstore.com](http://www.epsonstore.com) (U.S. sales) or [www.epson.ca](http://www.epson.ca) (Canadian sales).

## Registration and Warranty

The PowerLite Pro Cinema 1080 UB comes with a basic three-year carry-in warranty. For details, see page 71.

In addition, for customers who register their projector, Epson offers free Extra Care<sup>SM</sup> Home Service. In the unlikely event of an equipment failure, you won't have to wait for your unit to be repaired. Instead, Epson will ship you a replacement unit anywhere in the United States or Canada, usually via overnight delivery. See your *Extra Care Home Service* brochure for details.

To register, simply fill out the registration card that came with your projector and mail it to Epson. Or you can register online at [www.epson.com/webreg](http://www.epson.com/webreg). Registering also lets you receive special updates on new accessories, products, and service.

# Using This Manual

This book contains all the information you need to use the projector, in addition to basic setup and maintenance instructions, troubleshooting tips, important safety instructions, specifications, and warranty information.

Please follow these guidelines as you read through the manual:

**Warning:** Must be followed carefully to avoid bodily injury.

**Caution:** Must be observed to avoid damage to your equipment.

**Note:** Contains important information about your projector.

**Tip:** Contains helpful projection tips.

Need additional help? Take advantage of Epson's automated support services 24 hours a day at [epson.com/support](http://epson.com/support). Use this site to view FAQs (Frequently Asked Questions) or product information and e-mail your questions to Epson support.

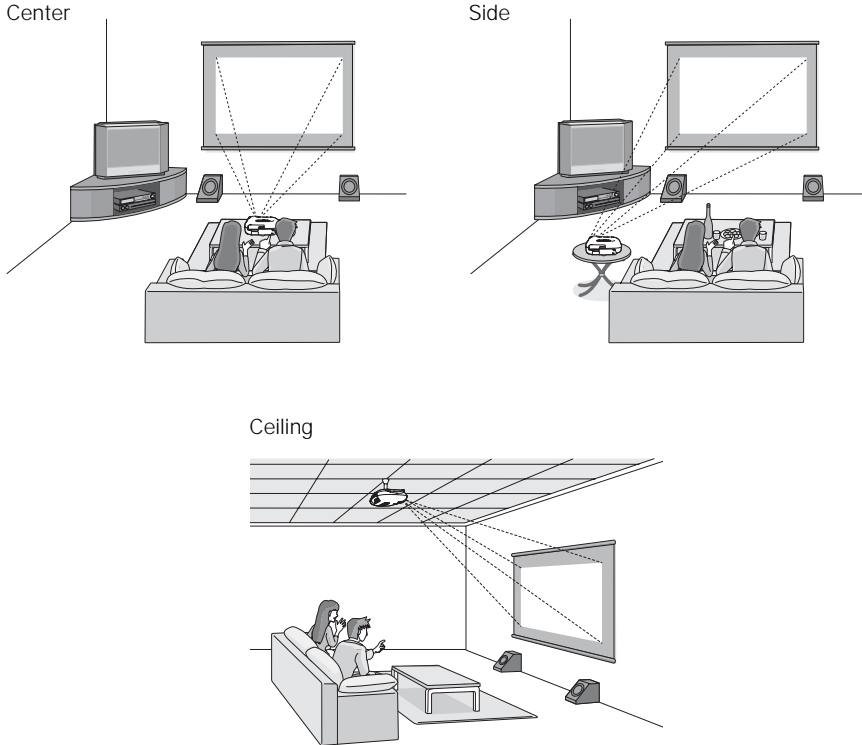
If you need more help, you can use the Epson PrivateLine® Support service. Call (800) 637-7661 and enter the PIN on the PrivateLine support card that came with your projector.

# Setting Up the Projector

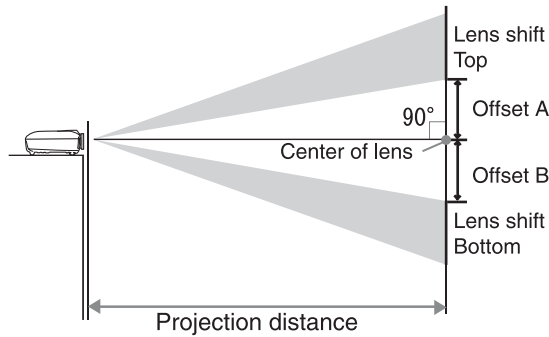
Follow the instructions in this section to choose a location for the projector, connect the cables, and display an image.

## Choosing a Location

You can install the projector for various viewing setups, as shown below.

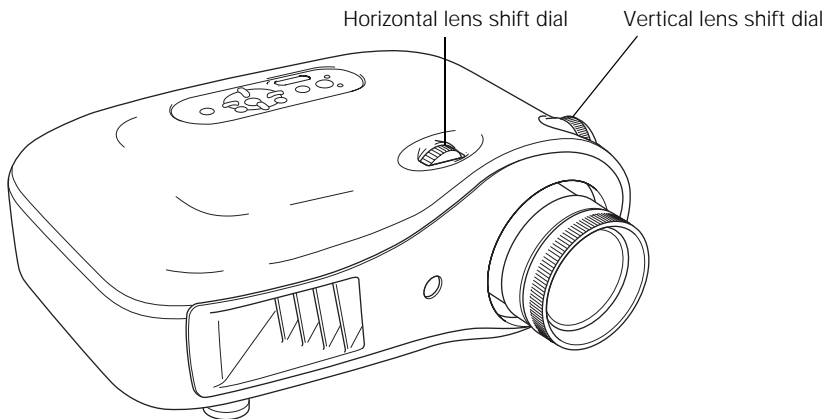


Ideally, place the projector at a height where its lens is between the top and bottom of the screen. That way, you can keep the projector level and use the vertical lens shift dial to position the image. This produces the best-looking picture.



Try to be as close as possible to the calculated projector position when installing the projector. Too much lens shift can cause minor reduction in image dimensions. The image display position cannot be moved to the maximum distance in both the vertical and horizontal directions. For example, the image cannot be shifted vertically when it has been shifted horizontally by the full amount. When the image has been shifted vertically by the full amount, it can be shifted up to 9 percent of the horizontal width of the screen.

If you place the projector off to the side, aim it straight ahead (rather than at the center of the screen), then use the horizontal lens shift dial to center the image on the screen.



**Caution:** Do not try to move the lens by hand, or you may damage the projector. Always use the lens shift dials to change the lens position.

The maximum size of the image is determined by the distance from the projector's lens to the screen. Depending on your display settings and how you use the Zoom ring, the actual size may be smaller. Use this table as a rough guide for projector placement:

<b>16:9 aspect ratio</b>			
<b>Projection distance</b>	<b>Maximum diagonal image size (width × height)</b>	<b>Offset A to Offset B</b>	<b>Horizontal Offset</b>
2.8 to 6.2 feet	30 in. (26 × 15 in.)	6.8 to –6.8 in.	0 to 13 in.
3.8 to 8.3 feet	40 in. (35 × 20 in.)	9.1 to –9.1 in.	0 to 17 in.
5.8 to 12.5 feet	60 in. (51 × 28 in.)	13.6 to –13.6 in.	0 to 26 in.
7.8 to 16.7 feet	80 in. (71 × 39 in.)	18.2 to –18.2 in.	0 to 35 in.
9.8 to 20.8 feet	100 in. (87 × 47 in.)	22.7 to –22.7 in.	0 to 44 in.
11.8 to 25.1 feet	120 in. (106 × 59 in.)	27.2 to –27.2 in.	0 to 52 in.
14.8 to 31.3 feet	150 in. (130 × 75 in.)	34.0 to –34.0 in.	0 to 65 in.

<b>4:3 aspect ratio</b>			
<b>Projection distance</b>	<b>Maximum diagonal image size (width × height)</b>	<b>Offset A to Offset B</b>	<b>Horizontal Offset</b>
3.5 to 7.6 feet	30 in. (24 × 18 in.)	8.3 to –8.3 in.	0 to 16 in.
4.7 to 10.1 feet	40 in. (32 × 24 in.)	11.1 to –11.1 in.	0 to 21 in.
7.1 to 15.3 feet	60 in. (47 × 35 in.)	16.7 to –16.7 in.	0 to 32 in.
9.6 to 20.4 feet	80 in. (63 × 47 in.)	22.2 to –22.2 in.	0 to 43 in.
12 to 25.5 feet	100 in. (79 × 59 in.)	27.8 to –27.8 in.	0 to 53 in.
14.4 to 30.7 feet	120 in. (94 × 71 in.)	33.3 to –33.3 in.	0 to 64 in.
18.1 to 38.4 feet	150 in. (118 × 91 in.)	41.7 to –41.7 in.	0 to 80 in.

To determine the exact image size when you know the projection distance (or the exact projection distance when you know the desired image size), you can use the Projection Distance Calculator. You can download this program from the Epson website at [epson.com/support](http://epson.com/support).

Also keep these considerations in mind:

- Make sure there is plenty of space for ventilation around and under the projector. Do not set the projector on top of loose materials that could block the vents underneath.
- Make sure the projector is within 9.8 feet of a grounded electrical outlet or extension cord.

---

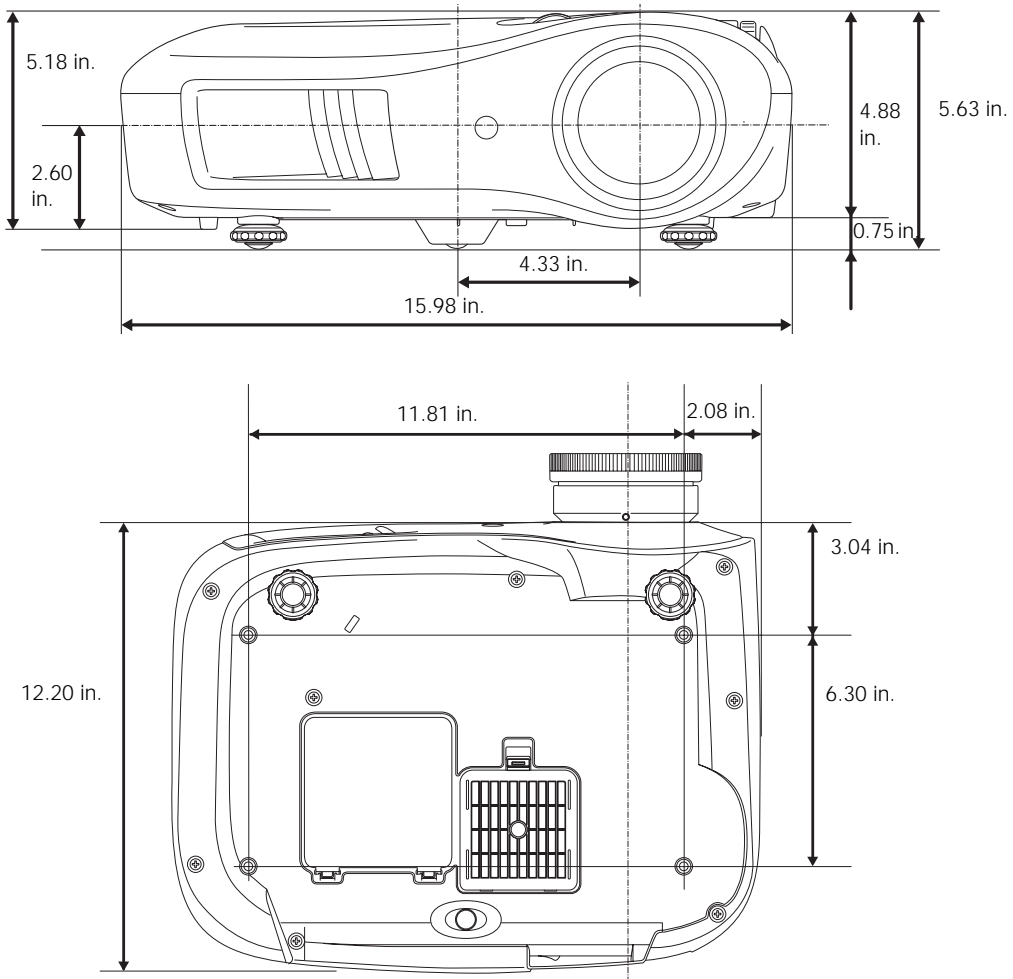
## Installing the Projector

To install the projector, you first need to determine the location, based on the size of your screen (maximum diagonal image size). Use the table on page 15 as a guide to positioning the projector. Note the following dimensions:

- Distance from the center of the lens to the mounting bracket holes: 2.60 inches (66 mm), 0.35 inch (8.8 mm) maximum vertical lens shift
- Distance from the center of the lens to the center of the projector: 4.33 inches (110 mm), 0.30 inch (7.7 mm) maximum horizontal lens shift



The following illustrations show the dimensions of the projector:



To install, you will need the projector mount designed for the projector.

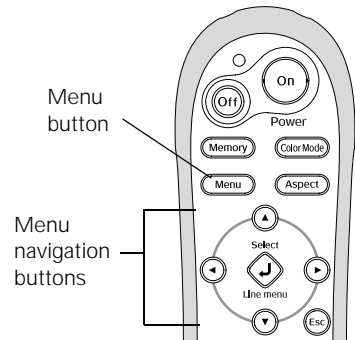
**Warning:** When installing or adjusting the ceiling mount, do not use adhesives to prevent the screws from loosening and do not use any type of oil or lubricant. These may cause the projector casing to crack and the projector may fall, causing serious injury and serious damage to the projector.

Follow the instructions included with the mount to install the projector, which weighs 12.3 pounds. The wall or ceiling where you install it must be capable of supporting a weight of 85.6 pounds.

In addition to the tools supplied with the projector mount, you will need a Phillips head screwdriver and a drill to use on the wall or ceiling.

If you install the projector on the ceiling, you will need to invert the picture so that it appears right side up. Follow these steps:

1. Press the Menu button on the remote control.
2. Press the menu navigation buttons to open the Settings menu, then select Projection.
3. Use the navigation buttons to select Front/Ceiling.
4. Press the Menu button when done.



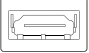

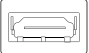

If you are planning to use an AV controller with the projector, refer to the table of ESC/VP21 command codes on page 65.

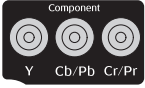

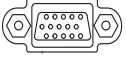





## Connecting the Cables

### *Connecting Video and Computer Equipment*

You can connect the projector to any type of video equipment, such as a VCR, DVD player, digital tuner, cable or satellite box, video game console, camcorder, or digital camera. You can also connect it to a desktop or laptop PC or Apple® Macintosh® system.

You can connect up to six pieces of video equipment at the same time, using any of the commercially available cables shown below:

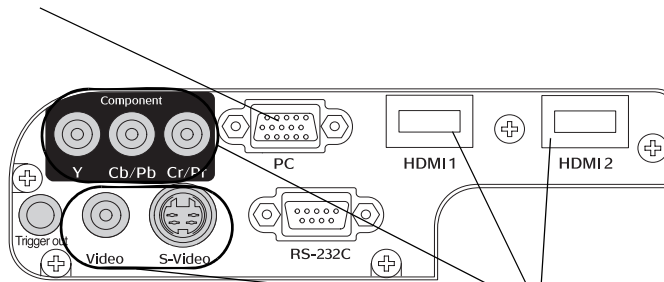
Port name	Video equipment connection*	Computer connection*
HDMI1 	Use an HDMI cable: 	
HDMI2 	Use an HDMI cable: 	

Port name	Video equipment connection*	Computer connection*
Component  Component video ports	Use a component video cable (with RCA-style connectors):  Connect the cable to the three component video ports. Match corresponding colors between the cable and the ports.	—
PC  PC RGB port	—	Use a Mini D-sub, 15-pin monitor cable to connect to a computer RGB (monitor) port: 
S-Video 	Use an S-video cable: 	—
Video 	Use an RCA video cable: 	—

\* For details on compatible video formats, see page 63.

For best results, connect your video equipment to the HDMI1 (High-Definition Multimedia Interface) or HDMI2 port, if possible. If your equipment doesn't support HDMI, connect it to one of the following ports (highest quality listed first): Component (for component video), S-Video, or Video (for composite video).

Connect a computer to this port



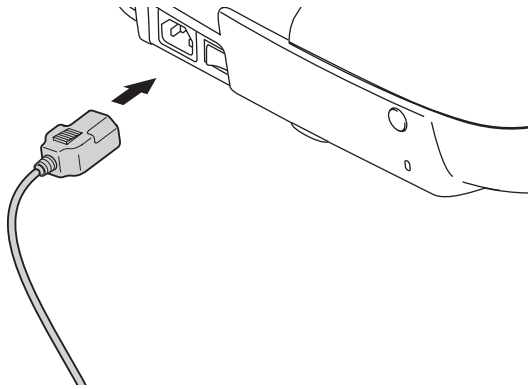
Connect video equipment to one of these ports

If you connect to the Component port, be sure to select the correct Input Signal setting for your equipment, or the image may not display properly (see page 23).

## ***Making Other Connections***

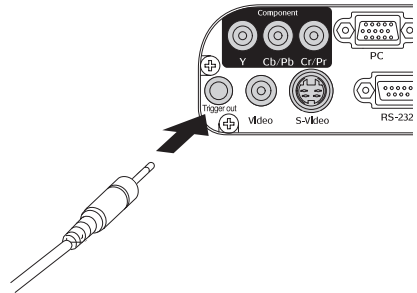
Connect the power cable and other cables described below, depending on how you plan to use the projector.

- Plug the power cable into the projector and a grounded electrical outlet.



- The Trigger out port outputs a 12-volt DC signal when the projector is turned on. This lets a central control system monitor whether the projector is on or off, and can be used to raise or lower your projection screen automatically when the projector is in use.

Connect a 3.5-mm mini jack to the port, as shown.

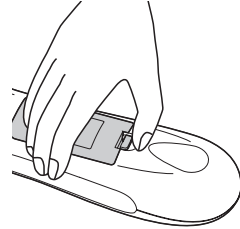


# Installing Batteries in the Remote Control

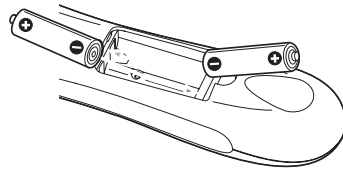
The remote control uses two AA batteries.

**Warning:** Keep batteries away from children. If a battery is swallowed, contact your doctor immediately.

1. Release the tab and lift open the cover.

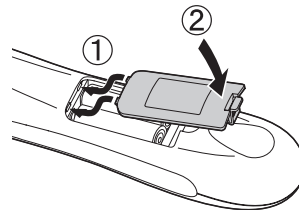



2. Insert two new AA batteries as shown.



3. Insert the tab on the cover and press it down until it clicks into place.

Aim the remote control at the front or back of the projector. Make sure you are within 30 feet of the projector with the remote aimed within a 30° angle from the infrared receivers.

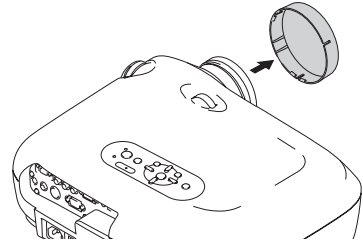


If you suspect the batteries are weak, take the remote control to a dark room and press the  illumination button. If the buttons do not glow red, replace the batteries.

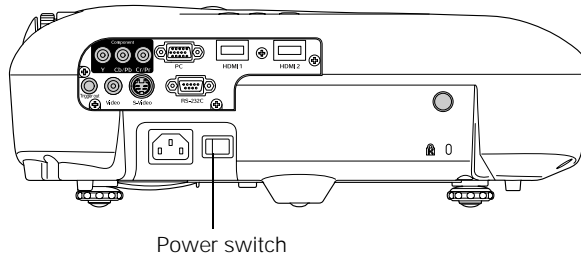
# Turning the Projector On and Off

## Turning On the Projector

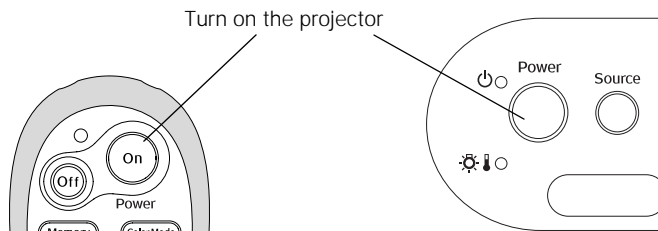
1. Remove the lens cap.
2. Turn on any connected equipment you plan to use.



3. Turn on the main power switch on the back of the projector.



4. Press the On button on the remote control or the  Power button on the projector.

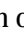



**Note:** To prevent children from turning on the projector, you can use the Child Lock. See page 32 for details.

If you'll be using the projector at an altitude above 4900 feet (1500 meters), turn on High Altitude Mode so the fan can properly cool the projector at the high altitude air pressure. See page 46 for details.

The projector takes about 30 seconds to warm up and display an image. If you don't see a picture, you may need to change the image source as described on page 23.

## Turning Off the Projector

1. Turn off any equipment connected to the projector.
2. Press the Off button on the remote control, or press the  Power button on the projector twice.
3. When the  Power light stops flashing orange and stays on, turn off the projector's main power switch on the back.

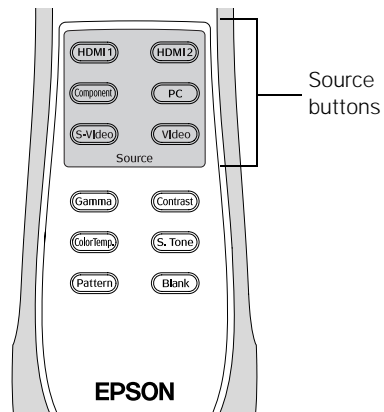
It is now safe to unplug the projector, if necessary.

**Caution:** Turn off this product when not in use to prolong the life of the projector. Continuous 24-hour-a-day use may reduce the overall life of the product. Never turn off the main power switch without first turning off the lamp and letting it cool as described above, or you could damage it and reduce lamp life.

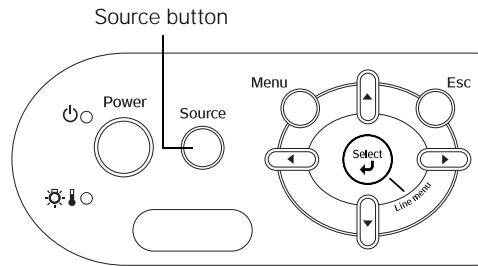
## Selecting the Image Source

The Source buttons on the projector and remote control let you switch between images from different pieces of equipment connected to the projector (such as a DVD player, cable or satellite box, or video game console).

Press the Source button on the remote control that corresponds to the port to which your video source is connected.



If you press the Source button on the projector, you see a menu of available sources.



Press the ▲ or ▼ button to go up or down the menu, then press the ↵ Select button.



**Note:** If an image does not appear, see “Problem Solving” on page 55.

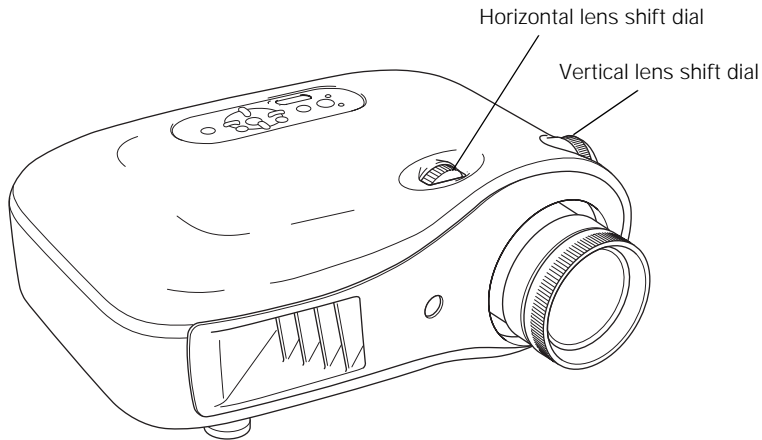
To temporarily turn off the image and darken the screen, press the **Blank** button on the remote control. Press the **Blank** button again to return to normal viewing.



# Positioning the Image

If the image is not centered on the screen, use the horizontal and vertical lens shift dials to adjust its position.

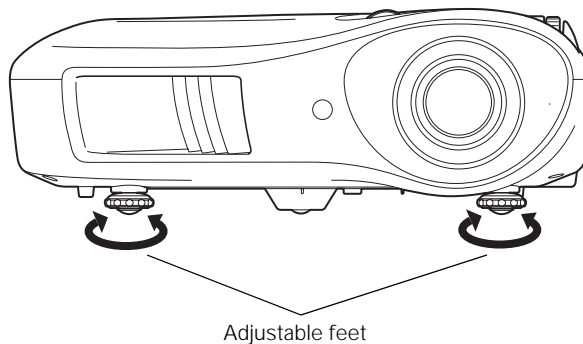
**Caution:** Do not try to move the lens by hand, or you may damage the projector. Always use the lens shift dials to change the lens position.



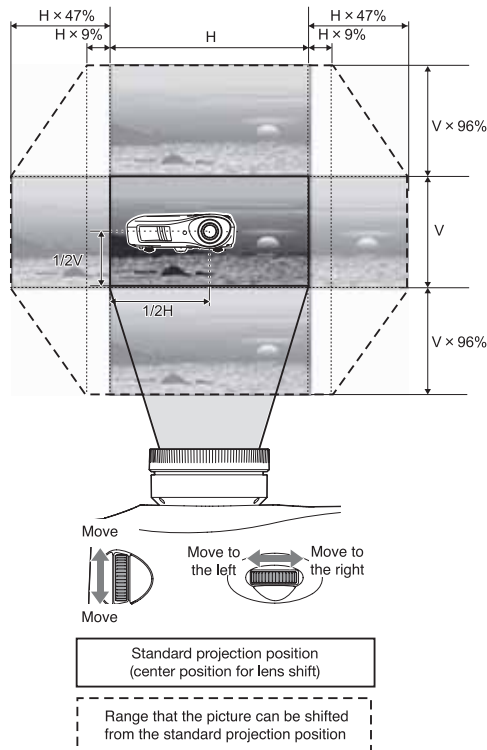
**Note:** You can display a test pattern to help adjust the image position by pressing the **Pattern** button on the remote control. Press the **Pattern** button again to turn off the test pattern.

When you hear a click, the lens position is almost centered. If the lens shift dial becomes hard to turn, you cannot adjust the position any further.

If one side of the image is taller than the other, make sure the projector is parallel to the screen. If necessary, adjust the front feet so that the projector is horizontal.



The image display position cannot be moved to the maximum distance in both the vertical and horizontal directions. For example, the image cannot be shifted vertically when it has been shifted horizontally by the full amount. When the image has been shifted vertically by the full amount, it can be shifted up to 9 percent of the horizontal width of the screen.



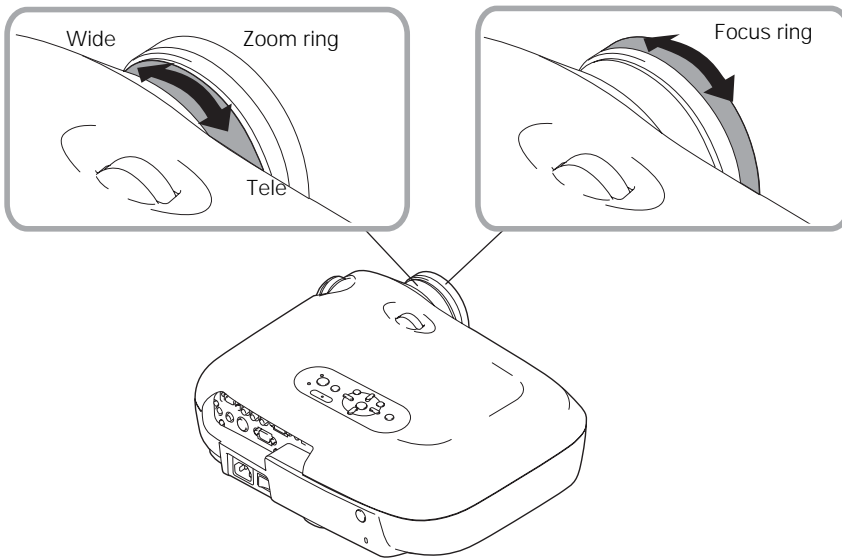
# Making Basic Adjustments

Follow the instructions in this chapter to make basic adjustments to the image shape, size, color, and quality. For further refinements, see “Making Detailed Adjustments” on page 33.

## Focusing and Zooming

Sharpen or reduce the focus using the focus ring.

Zoom into or out of the picture using the zoom ring.

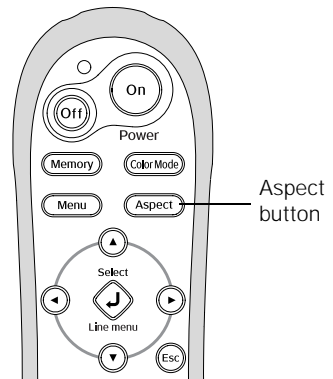


# Choosing the Aspect Ratio

In many cases, video signals are automatically resized to fit on your screen when Auto is selected as the Aspect setting. You may need to change the size of the image (or aspect ratio) for certain image types by pressing the Aspect button on the remote control.

If the Auto setting is unavailable, you may want to choose one of these settings:

- Normal for standard TV broadcasts, computer images, or images with a 4:3 aspect ratio.
- Full for images recorded in squeeze mode.
- Zoom for images recorded in 16:9 (wide-screen) format.



4:3 image using Normal setting



16:9 image using Zoom setting



- Wide for expanding a 4:3 image to 16:9 so it fills the whole screen. This stretches only the right and left sides of the image; the central part is unchanged.

**Note:** If you display a 4:3 image using the Zoom setting, the top and bottom will be cut off. You can use the Zoom Caption Pos. option and other settings to resize and reposition the image. For details, see page 44.

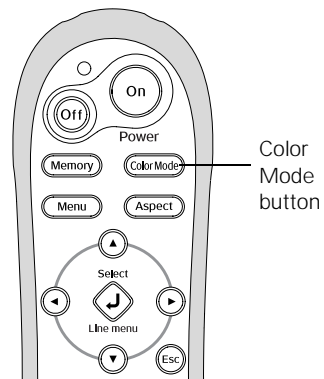
For details on how the projector resizes the picture when you choose an Aspect setting, see page 63.

# Choosing the Color Mode

You can change the Color Mode to automatically adjust brightness, contrast, and color, letting you quickly optimize the projected image for various lighting environments. You can also select a different color mode for each input source—which is useful if you view different types of images from different sources. (For example, you might set the source to Cinema Day if it's usually used for watching movies in the daytime with the blinds closed, or you might set the source to Vivid for playing video games with the blinds open.)

Select the image source you want to adjust, then press the Color Mode button on the remote control. Choose from these settings:

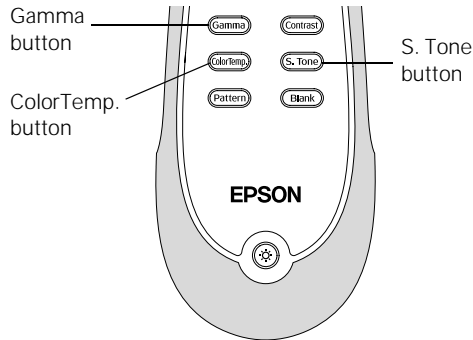
- Vivid for projecting the brightest picture available.
- Cinema Day for watching movies during the day.
- Natural for projecting the most natural, accurate colors.
- Cinema Night for viewing movies in a dark room.
- HD for images that are close to those in professional-use broadcast monitors.
- Silver Screen for black and white movies or those with dark scenes.
- x.v. Color for reproducing colors more naturally. This setting appears only when an x.v. color signal is being input from the HDMI1 or HDMI2 port.



When you select the Natural or Cinema Night setting, the built-in Epson Cinema Filter automatically increases the contrast and naturalizes projected skin tones.

# Adjusting Color Temperature, Skin Tone, and Gamma

To further customize the color and image quality, you can adjust the Gamma, abstract Color Temperature, and Skin Tone settings using buttons on the remote control. (Not available when you're projecting sRGB images.)



**Note:** You can fine-tune these and other color and image quality settings using the projector's menu system (see page 33). You can also save combinations of picture settings with the Memory feature for easy recall (see page 42).

Select the image source you want to adjust, then press any of the buttons described below. A slider appears beneath the image so you can adjust the setting and view the effect of your adjustments.

- **ColorTemp.** adjusts the overall color tint (absolute color temperature) between 5000K and 10000K. Higher temperature settings increase the blue tint and lower temperature settings increase the red tint.



- **S. Tone** adjusts the color of projected skin tones. The Epson Cinema Filter automatically optimizes this setting, but you can customize it if necessary. Higher numbered settings increase the green tones and lower numbered settings increase the red tones.



## Adjusting the Gamma Setting

You can select from five gamma settings (2.0 to 2.4) or customize your own setting from your image or a displayed graph. Lower values will increase the contrast of dark areas, but tend to blur the bright areas. Higher values will darken the light areas. Gamma presets make minor adjustments to mid-tone values. The larger the gamma preset, the lower the midtone values. Changing these settings affects contrast which can be seen as a blur in bright areas.

1. Press the Gamma button. You see the following displayed on the screen:





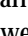
2. Do one of the following:
  - Select one of the numeric correction values using the ▲ or ▼ button on the remote or control panel and press the ↵ Select button. You see the setting reflected in the graph on the right. The horizontal axis represents the input signal level, and the vertical axis represents the output signal level. Press the Gamma button to exit.
  - Select Customized. Then continue with the next step.
3. Do one of the following:
  - Select Adjust it from the image. You see a gamma icon on the projected image. Use the arrow buttons to move the icon to the area of brightness you want to adjust, then press ↵ Select. The custom gamma graph appears with the channel selected for adjustment. Press the ▲ or ▼ button to adjust and then press ↵ Select.
  - Select Adjust it from the graph. When the gamma graph appears, use the ◀ or ▶ button to select the point on the graph that you want to adjust, and then use the ▲ or ▼ button to adjust the settings. Press ↵ Select to save your setting and exit.

# Locking the Projector

The projector includes two lock settings to prevent the image from being accidentally changed once it's adjusted, and to keep children from turning on the projector without adult supervision.

To access the lock settings, follow these steps:

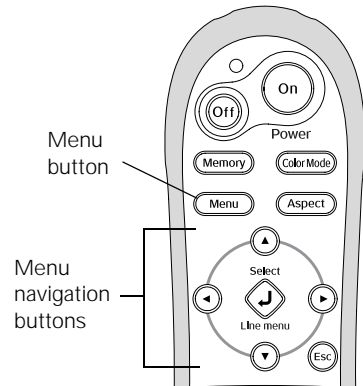
1. Press the Menu button on the remote control.
2. Use the menu navigation buttons to open the Settings menu.
3. Choose from these options:

- Child Lock to disable the  Power button on the projector's control panel unless it is pressed for about 3 seconds. (You can use the  Power button to turn it off, however.) Since you can still use the remote control to turn on the projector, you may want to keep it away from children's reach.
- Control Panel Lock to disable all the buttons on the projector's control panel. A lock icon appears on the screen whenever you press a button with Control Panel Lock turned on. To operate the projector, you must use the remote control. To cancel Control Panel Lock, press and hold the  Select button on the projector's control panel for at least 7 seconds.

4. Press Menu to exit the menu system.

If you turned on the Control Panel Lock, the projector buttons are now locked.

If you turned on the Child Lock, turn off the projector and let it cool down. The Child Lock takes effect after the cool-down period.





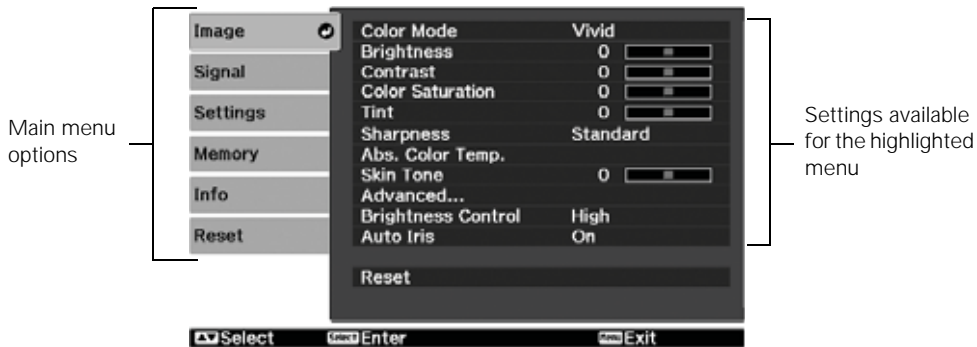
# Making Detailed Adjustments

You can use the projector's on-screen menus to make detailed adjustments to the image quality—such as the brightness, contrast, sharpness, and color. You can also change the menu display, sleep mode settings, and other projector features.

## Using the Menu System

You can access the menu system either from the remote control or the buttons on the projector's control panel. You can access the full menu or a line menu that lets you adjust the Picture and Memory settings while viewing their effects on your display. You can also change the menu language and control how the menus display (see page 34).

1. To display the full menu, press the Menu button on the projector or remote control. You see a display like this one (the actual display depends on the connected equipment):



**Note:** Depending on which equipment is connected to the projector, some options may not be available.

2. Press the ▲ or ▼ button to highlight a main menu option (Image, Signal, Settings, Memory, Info or Reset), then press the ↵ Select button to select it.
3. Press the ▲ or ▼ button to highlight a setting, then press the ↵ Select button.
4. Press the ▲, ▼, ◀, or ▶ button to change settings as necessary. You may have to press the ↵ Select button to confirm your choice.

5. When you're finished, press the Esc button to return to the previous menu or press the Menu button to exit the menu system.

To display one of the line menus of the Image menu, press the **↵** Select button. You see a display like this at the bottom of the image:



Press the **▲** or **▼** button to highlight an option (if necessary), then press the **◀** or **▶** button to adjust it. Press the Esc button to return to the previous menu or the Menu button to exit the menu system. Press the Memory button to return to the setting stored in memory.

You can access the following settings through the line menu while viewing their effects on your display:

- Brightness (see page 36)
- Contrast (see page 36)
- Sharpness (see page 37)
- Color Saturation (see page 38)
- Tint (see page 39)
- Absolute Color Temperature (see page 30)
- Skin Tone (see page 30)
- Brightness Control (see page 37)
- Auto Iris (see page 36)

## ***Changing How the Menus Display***

Use these options to control how the menus display.

- Language

Settings → Language

Select from 20 languages to use in the menu system.

- Menu Position

Settings → Display → Menu Position

Use the arrow buttons to choose a position on the screen for displaying the menu.

## ■ Menu Color

Settings → Display → Menu Color

Select a color scheme for displaying the menus.

# Adjusting the Picture Quality

Before fine-tuning the image using these adjustments, make sure you have already selected the best Color Mode for your picture and viewing environment, as described on page 29. Then use the settings in this section to finish adjusting the picture to your liking.

Most image quality settings are saved independently for each input source (Video, S-Video, HDMI1, HDMI2, Component, PC) and color mode. After you finish adjusting the settings for one input source, switch to the other input sources you'll be using and make any necessary adjustments.

## *Input Brightness Settings*

If the signal from connected equipment is weak and images appear dark, you can adjust the Brightness and Contrast settings. You can adjust brightness and contrast for each image source and color mode.

Adjust this setting first, then fine-tune the image with the remaining settings.

The Brightness setting controls how much light is produced by the projector, and the Contrast setting adjusts the difference between the bright and dark areas of the projected image. The other settings listed on the following page control how the projector interprets the light and dark areas of the picture.

## ■ Brightness

Image → Brightness

**Note:** This setting cannot be adjusted when Color Mode is set to x.v. Color.

Adjust the brightness so it's suitable for your viewing conditions. For example, if you're projecting in a brightly lit room or onto an especially large screen, you may need to increase the brightness. Decrease the brightness for dark rooms or small screens; this also reduces power consumption and fan noise, and helps to prolong the life of the lamp.

## ■ Contrast

Image → Contrast

**Note:** This setting cannot be adjusted when Color Mode is set to x.v. Color.

This setting adjusts the difference between bright and dark areas.

## ■ Auto Iris

Image → Auto Iris

**Note:** This setting cannot be adjusted when Color Mode is set to x.v. Color.

When this setting is on, the amount of light produced by the lamp is automatically adjusted according to the brightness of the image. The setting is stored separately for each image source and color mode.

## ■ Setup Level

Signal → Setup Level

This setting adjusts the threshold at which dark areas of the image are rendered black (0 IRE). For compatibility with most DVD and video equipment sold in the United States, leave this setting at 0%. Check your video equipment's specifications to be sure of the correct setting.

## ■ EPSON Super White

Signal → EPSON Super White

**Note:** This setting can be used only when the Color Mode is set to Natural, Cinema Night, HD, or Silver Screen (see page 29).

If bright parts of the image are washed out or overexposed (when the input signal contains values over 100 IRE), turn this setting on to compensate. When this setting is turned on, the projector disregards the HDMI Video Range setting.

## ■ HDMI Video Range

Signal → HDMI Video Range

**Note:** This setting can be used only when either HDMI1 or HDMI 2 is selected as the image source (see page 23).

If your video equipment has an HDMI port and you've connected it to the projector using an HDMI cable, set the level of the projector to match that of the video equipment. When this setting is turned on, the projector disregards the EPSON Super White setting.

## ■ Brightness Control

Image → Brightness Control

This setting controls the light output from the projector. On high, the lamp uses 170 W of power. On low, the lamp uses 135 W.

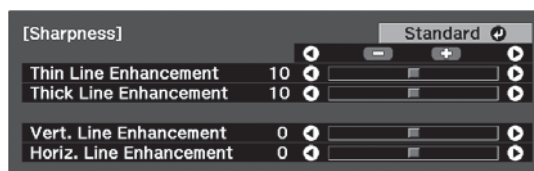
# Sharpness and Picture Quality Settings

If the image looks fuzzy, or if it contains noise or flickering, you can use these settings to correct it.

## ■ Sharpness

Image → Sharpness

Use this function to make lines and edges appear more distinct in the image. This setting is stored separately for each image source and color mode setting. You can select Standard to adjust the sharpness of the entire image, or select Advanced to access the following submenu:



Choose Thin-Line Enhancement to sharpen details such as hair and clothing. Choose Thick-Line Enhancement to sharpen large contours and backgrounds.

## ■ Progressive

Signal → Progressive

The projector uses 3D DigiScan HD Circuitry Processing for video-sourced images. For film-sourced images, the projector uses 3-2 pulldown detection and optimizes the image accordingly.

Leave this setting on Video for most purposes. Set to Film/Auto when the input source is a film, and you want to project an image closer to its original source.

**Note:** This setting applies only when viewing composite video, S-video, component video, or 480i, or 1080i RGB video (see page 63).

## ■ Motion Detection

Signal → Motion Detection

This setting specifies how signals are converted to progressive signals. Select a lower setting for slow-moving or still images (S) or select a higher number for video images (M).

**Note:** This setting applies only when viewing composite video, S-video, component video, or 480i, or 1080i RGB video.

## ■ Noise Reduction

Signal → Noise Reduction

This setting reduces flickering of analog images. You can select from 3 levels of noise reduction.

## ■ 2-2 Pull-down

Signal → 2-2 Pull-down

This setting will not be selectable if your DVD player does not support this mode. This mode applies only when a 24 fps (frame per second) 1080p signal is being input into Component, HDMI1, or HDMI2.

# *Color Settings*

If the image colors don't look correct, you can adjust them using these settings. Use the first three settings described below to make the most visible changes. If you only need to make slight adjustments, you can fine-tune the picture with the remaining settings. Most color settings are stored separately for each image source and color mode.

## ■ Color Saturation

Image → Color Saturation

**Note:** This setting cannot be adjusted when Color Mode is set to x.v. Color.

Adjusts the color intensity of the image.

## ■ Tint

Image → Tint

**Note:** This setting cannot be adjusted when Color Mode is set to x.v. Color.

Shifts the color balance between magenta and green.

## ■ Abs. Color Temp.

Image → Abs. Color Temp.

**Note:** This setting cannot be adjusted when Color Mode is set to x.v. Color.

Shifts the color balance between red and blue, making the image appear warmer or cooler. You can also access this setting by pressing the ColorTemp. button on the remote control. See page 30 for more information.

## ■ Skin Tone

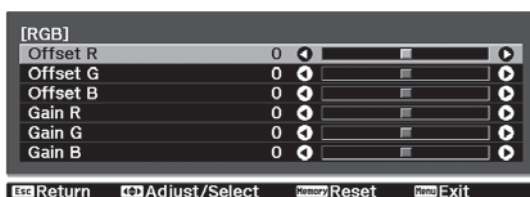
Image → Skin Tone

**Note:** This setting cannot be adjusted when Color Mode is set to x.v. Color.

Makes fine adjustments to the tint and controls the amount of magenta or green in the image. Also useful for correcting black-and-white images, if they look tinted. You can access this setting by pressing the S. Tone button on the remote control. See page 30 for more information.

## ■ RGB

Image → Advanced → RGB



**Note:** This setting cannot be adjusted when Color Mode is set to x.v. Color.

Use the RGB settings to fine-tune the color of the image. You can adjust the offset and gain for each signal color (red, green, and blue). Use Offset to adjust darker shades and Gain for the lightest shades.

## ■ RGBCMY

Image → Advanced → RGBCMY



**Note:** This setting cannot be adjusted when Color Mode is set to x.v. Color.

Use the RGBCMY settings to adjust the hue and saturation of the six color components (red, green, blue, cyan, magenta, yellow). After adjusting each color, press Esc to move to another menu option.

## ■ Gamma

Image → Advanced → Gamma

**Note:** This setting cannot be adjusted when Color Mode is set to x.v. Color.

You can select from five gamma settings (2.0 to 2.4) or customize your own setting from your image or a displayed graph. Lower values will increase the contrast of dark areas, but tend to blur the bright areas. Higher values will darken the light areas.

You can also access this setting by pressing the Gamma button on the remote control. See page 31 for more information.

## *Adjustments for Computer Images*

In addition to the settings described above, you can adjust the Tracking and Sync settings for analog RGB computer images. Normally, these settings are adjusted automatically by the projector. If you notice that the image is blurry or contains dark vertical bands, you may need to adjust the settings yourself.

## ■ Auto Setup

Signal → Auto Setup

**Note:** This setting only appears when a computer signal is being input to the PC port.

Leave this setting on so that the projector automatically adjusts the tracking, sync, and position of the image.

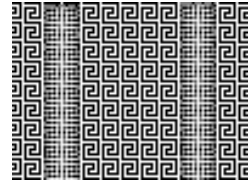


## ■ Tracking

Signal → Tracking

**Note:** This setting only appears when a computer signal is being input to the PC port.

Adjust the tracking to eliminate vertical bands. It is easiest to adjust the tracking when the image contains a lot of fine detail (such as black text on a white background).

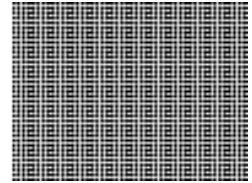


## ■ Sync.

Signal → Sync.

**Note:** This setting only appears when a computer signal is being input to the PC port.

Adjust the synchronization to eliminate blurriness. For best results, make sure the tracking is properly adjusted first.




# Selecting Memory Settings and Resetting the Projector

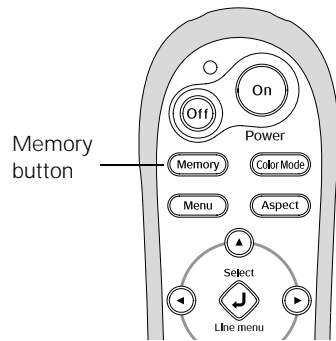
Your projector comes with 10 memory locations for installers to save customized settings, designed to provide the best color quality for each of your video inputs.

## Selecting Memory Settings

You can easily recall the memory settings by using the memory button on the remote control.


1. Press the Memory button on the remote control.
2. Select Load Memory.
3. Use the arrow buttons to select the desired setting, then press the  Select button.


After a moment, the image appears on the screen using your selected setting.



## Creating Memory Settings


Memory settings store the Brightness and Contrast settings, Color Mode, and other color settings described on pages 38 and 40.

1. Press the Menu button on the remote control.
2. Open the Memory menu, then select Save Memory.
3. Select the memory name you want to use, then press the  Select button to save your settings.

**Note:** Saved settings are indicated by a green  highlight next to the memory name. If you select a name that is already in use, the existing settings will be erased and new ones saved in their place.

## Deleting Saved Memory Settings

You can clear all your memory settings at once.

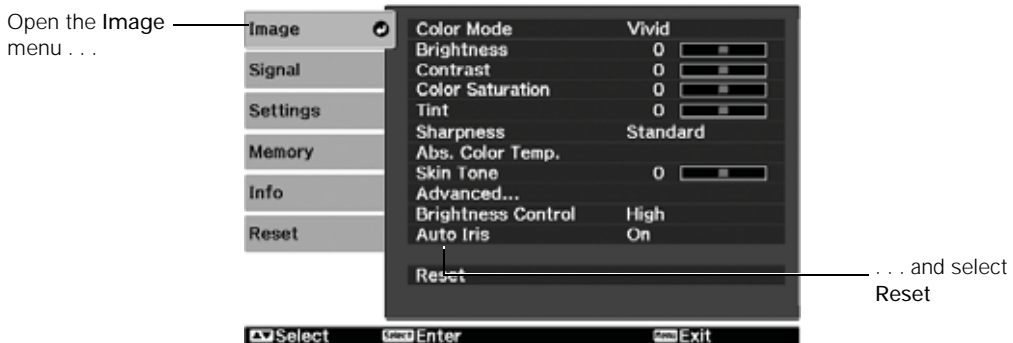
1. Press the Menu button on the remote control.
2. Open the Reset menu, then select Reset Memory.
3. Press the  Select button to delete the memory settings.

**Note:** You can delete memory settings one at a time with the Erase Memory setting under the Memory menu.

## Resetting the Projector

If the image quality isn't what you expect, one or more settings may be adjusted improperly. If necessary, you can restore the projector to its factory-default (original) settings.

To restore the settings in a specific menu (such as the Image or Settings menu), open that menu, select Reset, and confirm as needed. The example below shows how to reset the Image menu settings:



You can also reset the lamp usage timer or restore all the projector settings to their original values. Follow these steps:

1. Press the Menu button on the remote control.
2. Open the Reset menu.
3. Do one of the following:
  - Select Reset Lamp Hours to clear the lamp usage timer and reset it to zero. You should reset the lamp timer only when you install a new projector lamp. See page 52 for more information.

- Select Reset Memory to clear all memory settings.
- Select Reset All to return all projector settings to their original defaults (except Component, Save Memory, Language, and Lamp).

## Customizing Projector Features

Use the settings in this section to adjust the image size and position, suppress on-screen text, and select basic setup options.

### *Image Sizing*

Before adjusting any of these settings, make sure you have already selected an appropriate aspect ratio for the type of picture you're viewing (see page 28).

#### ■ Output Scaling

Signal → Output Scaling

For component video formats, this setting lets you see the edges of the image that are not normally visible in the picture (see page 63).

#### ■ Position

Signal → Position

Use the arrow buttons to fine-tune the position of the image on the screen.

#### ■ Zoom Caption Pos.

Signal → Zoom Caption Pos.

Lets you adjust the shape and position of the image so that subtitles are visible (available only if the aspect ratio has been set to Zoom). Use Zoom Size to adjust the proportions of the image, and Zoom Caption Pos. to move the image up or down. You can adjust output scaling before zoom position.

#### ■ Aspect

Signal → Aspect

This setting lets you change the aspect ratio of your image, and works the same as pressing the Aspect button on the remote control. See page 28 for more information.

## Screen Options

### ■ Messages

Settings → Display → Messages

Turn this setting off if you want to prevent on-screen messages from appearing (such as the no-signal message, or the identifying text that appears when you switch between image sources or color modes).

### ■ Startup Screen

Settings → Display → Startup Screen

Turn this setting off if you want to prevent the startup screen from appearing while the projector is warming up.

### ■ Display Background

Settings → Display → Display Background

Changes the screen that's used when the projector is not receiving a signal or when you press the Blank button to temporarily stop projection.

## Other Setup Options


### ■ Projection

Settings → Projection

You can select different options for projecting the image: Front, Front/Ceiling, Rear, Rear/Ceiling.

### ■ Direct Power On

Settings → Direct Power On

Sets projection to start when the main power switch is turned on, without pressing the On button on the remote control or the  Power button on the projector.

**Note:** When direct power on is enabled, power surges that occur after a power outage can cause the projector to turn on.

### ■ Video Signal

Settings → Input Signal → Video Signal

Leave this setting on Auto so the projector can automatically interpret the format, such as NTSC or PAL (for standard TV formats).

## ■ Component

Settings → Input Signal → Component

Change this setting to match the type of equipment connected to the Component port. For component video, select Auto to let the projector automatically interpret the signal; or select YCbCr or YPbPr to manually select your video equipment's signal. Use YCbCr for digital movie camera input. Use YPbPr for DVD or satellite input.

## ■ Trigger Out

Settings → Trigger Out


Turn on this setting if you want the Trigger out port to output a 12-volt signal while the projector is operating. You can use this to raise or lower your projection screen.

## ■ Sleep Mode

Settings → Sleep Mode


Turn off this setting if you don't want the projector to enter sleep mode. (Sleep mode shuts the projector off automatically when there is no video signal.)

Select 5 min., 10 min., or 30 min. as the length of time before shutoff; decreasing the time conserves power and extends the life of the lamp.

To turn the projector back on, press the On button on the remote control, or press the  Power button on the projector.

## ■ Child Lock

Settings → Child Lock

Lets you lock the  Power button on the projector's control panel to make it more difficult for a child to turn on the projector. See page 32 for more information.

## ■ Control Panel Lock

Settings → Control Panel Lock

Lets you disable all the buttons on the projector's control panel to prevent the image from being accidentally changed once it is adjusted. See page 32 for more information.

## ■ High Altitude Mode

Settings → High Altitude Mode

Adjusts the speed of the fan so it can properly cool the projector at altitudes above 4900 feet (1500 meters).

# Maintenance

Your projector needs little maintenance. All you need to do on a regular basis is keep the lens clean. You also may need to clean the air filter to prevent overheating.

**Warning:** Before you clean any part of the projector, turn it off and unplug the power cord. Never open any cover on the projector, except the lamp and filter covers. Dangerous electrical voltages in the projector can injure you severely. Do not try to service this product yourself, except as specifically explained in this *User's Guide*.

The only parts you should replace are the air filter and the lamp. If another part needs replacing, contact your dealer or a qualified servicer.

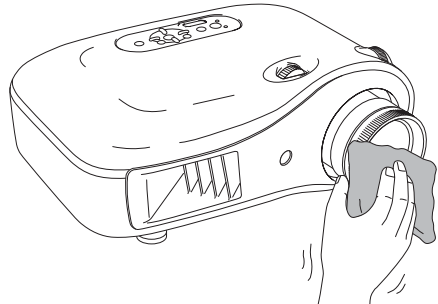
---

## Cleaning the Lens

Clean the lens whenever you notice dirt or dust on the surface.

- Use a canister of compressed air to remove dust.
- To remove dirt or smears, use lens-cleaning paper. If necessary, moisten a soft cloth with lens cleaner and gently wipe the lens surface.

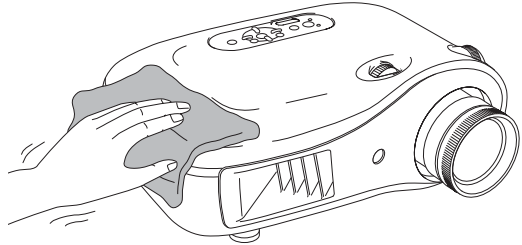
**Caution:** Never rub the lens with abrasive materials.



## Cleaning the Projector Case

Before you clean the case, turn off the projector and unplug the power cord.

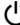

- To remove dirt or dust, wipe the case with a soft, dry, lint-free cloth.
- To remove stubborn dirt or stains, moisten a soft cloth with water and a neutral detergent. Then wipe the case and dry it with a dry cloth.



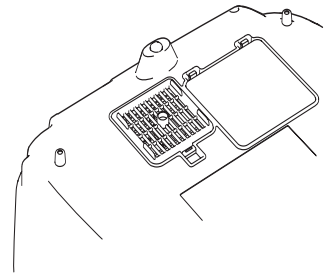
**Caution:** Never use wax, alcohol, benzene, thinner, or other chemical detergents. These can damage the case.

## Cleaning and Replacing the Air Filter

Your projector includes an air filter to ensure the best performance. If dust collects on the air filter, clean it as described below. Dust clogs prevent proper ventilation and can cause overheating and damage the projector.

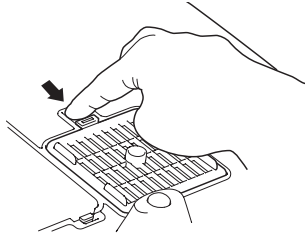
1. Press the  Power button and wait for the  Power light to stop flashing. The projector cools down.
2. Turn off the projector using the power switch on the back.
3. Unplug the power cord and disconnect any cables.
4. Use a small vacuum cleaner that is designed for computers and other office equipment to clean the filter on the bottom of the projector. If you don't have one, gently clean the filter using a very soft brush (such as a clean artist's paintbrush).

If the dirt is difficult to remove or the filter is broken, replace it. You can purchase air filter part number V13H134A09 from an authorized Epson reseller. To find the nearest reseller, please call 800-GO-EPSON (800-463-7766). To purchase online, visit [www.epsonstore.com](http://www.epsonstore.com) (U.S. sales) or [www.epson.ca](http://www.epson.ca) (Canadian sales).

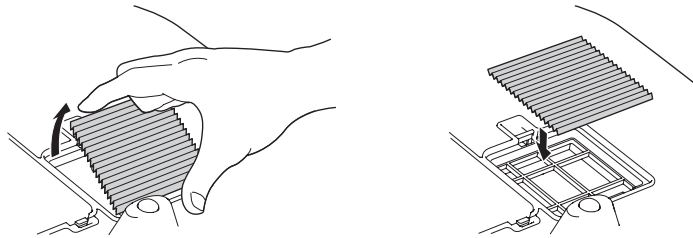




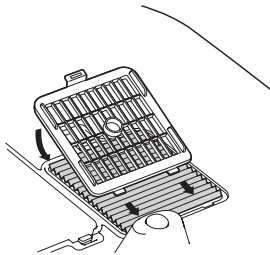
5. If you need to replace the filter, release the tab and lift up the cover.



6. Remove the old filter and replace it with a new one.



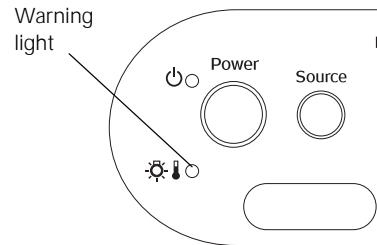
7. To replace the cover, insert the tabs and press down until the cover clicks into place.



# Replacing the Lamp

The projection lamp lasts for up to 3000 hours. You can use the Info menu to check how long it's been in use (see page 53). It's time to replace the lamp when:

- The projected image gets darker or starts to deteriorate.
- The projector's warning light flashes red at half-second intervals.
- The message Replace the lamp appears on the screen when you start projecting.



**Note:** Lamp life results will vary depending on mode selected, environmental conditions, and usage.

Turn off this product when not in use to prolong the life of the projector.


You can purchase lamp part number V13H010L39 from an authorized Epson reseller. To find the nearest reseller, please call 800-GO-EPSON (800-463-7766). To purchase online, visit [www.epsonstore.com](http://www.epsonstore.com) (U.S. sales) or [www.epson.ca](http://www.epson.ca) (Canadian sales).

Be sure to read the “Important Safety Information” on page 67 before replacing the lamp.

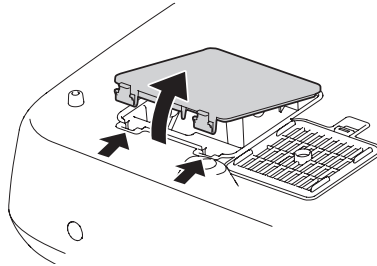
**Warning:** Let the lamp cool fully (about 1 hour) before replacing it. In the unlikely event that the lamp has broken, small glass fragments may be present and should be removed carefully to avoid injury.

**Caution:** Never touch the glass portion of the lamp with your bare hands; the invisible residue left by the oil on your hands may shorten the lamp life. Use a cloth or glove to handle the new lamp.

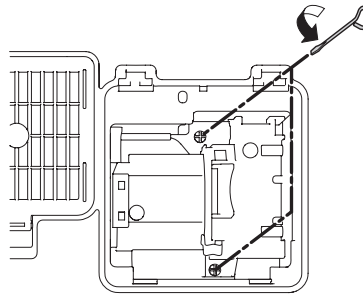
Follow these steps to replace the lamp:

1. Press the  Power button and wait for the light to stop flashing.
2. Turn off the power switch on the back of the projector.
3. Unplug the power cord and any cables.
4. Wait about an hour to make sure the lamp is no longer hot.

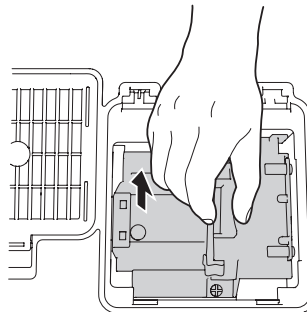
5. Press in the latches securing the lamp cover and lift off the cover.



6. Loosen the two screws securing the lamp (they don't come all the way out).



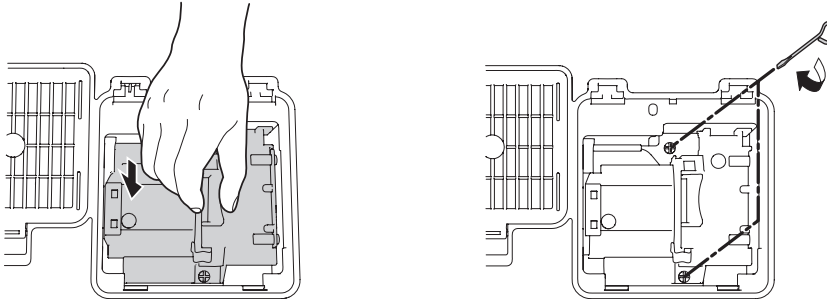
7. Grasp the bottom of the lamp as shown and pull it straight out.



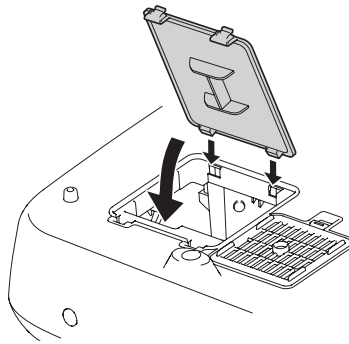
**Warning:** (Hg) The lamp(s) in this product contain mercury. Please consult your state and local regulations regarding disposal or recycling. Do not put in the trash.

8. Gently insert the new lamp and tighten its screws.

**Caution:** Don't touch the glass portion of the lamp assembly. Touching the glass could result in premature lamp failure.





9. Replace the lamp cover. (The projector won't work if the lamp cover is open or loose.)



10. Reset the lamp usage timer, as described on page 52.

### ***Resetting the Lamp Usage Timer***

After replacing the lamp, plug the projector back in, turn on the power switch on the back, and press the  Power button. Then follow these steps to reset the lamp usage timer:

1. Press the Menu button on the projector or remote control.
2. Use the menu navigation buttons to open the Reset menu, then select Reset Lamp Hours.
3. When you see a confirmation prompt, highlight Yes and press the  Select button.
4. When you're finished, press the Menu button to exit.

The lamp usage timer shows 0H until you've used the lamp for at least 10 hours.

---

## Checking the Projector Status

You can use the Info menu to view information about the current display settings and how long the projection lamp has been in use. To access the Info menu:

1. Press the Menu button on the projector or remote control.
2. Use the menu navigation buttons to open the Info menu. The following information appears:
  - Lamp Hours
  - Source
  - Input Signal
  - Resolution
  - Scan Mode
  - Refresh Rate
  - Sync Info
  - Deep Color (color depth)
  - Status (error information)

**Note:** The information displayed depends on the currently selected image source. The Lamp Hours shows 0H until you've used the lamp for at least 10 hours.

The resolution indicates the total number of scan lines in the source signal. The number of visible scan lines depends on the signal format standard and selected display settings (see page 63).

---

## Storing the Projector

If you need to store the projector for an extended time, do the following:

- Make sure the temperature of the storage area is within 14 to 140 °F (–10 to 60 °C).
- Attach the lens cover and retract the feet.
- Remove the batteries from the remote control.
- Pack the projector in its original packaging or equivalent.

---

# Transporting the Projector

**Note:** Epson shall not be liable for any damages incurred during transportation.

The projector contains many glass and precision parts. When shipping the projector for repairs, use the original packaging material if possible. If you do not have the original packaging, use equivalent materials. Be sure the carrier is capable of transporting fragile equipment and is aware that the projector is fragile.


Before transporting the projector, make sure you center the lens by turning the lens shift dials until they click to their respective center positions.

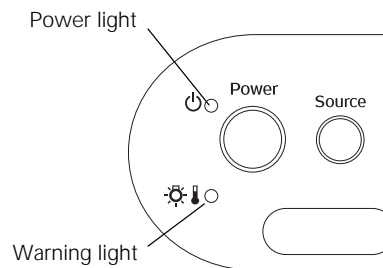
# Problem Solving



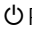





This section explains how to interpret the projector's status lights, solve problems with the picture and remote control, and contact technical support.







## What To Do When the Lights Come On or Flash

The lights on top of the projector indicate the projector's status and let you know when a problem occurs.

If the projector isn't working correctly, first press the  Power button or the Off button on the remote control, let the projector cool down, turn off the power switch on the back, and unplug the power cord. Then plug the power cord back in and turn on the projector. If this doesn't solve the problem, check the status lights on top of the projector.

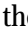
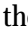


Light state	Cause and solution
 Power light does not come on	Make sure the power switch on the back of the projector is turned on and the power cord is connected securely at both ends.
 Power light is orange	The projector is in standby mode. Turn off the power switch in back to turn off the projector, or press the  Power button to turn it on.
 Power light flashes green	The projector is warming up. Wait for the picture to appear.
 Power light flashes orange and you can't turn the projector on or off using the  Power button	The projector is cooling down. Wait until the light stops flashing and shines orange. Then turn off the power switch in back to turn off the projector, or press the  Power button to turn it on.
 Warning light flashes orange	High-speed cooling is in progress. If the projector gets too hot again, projection stops automatically. Make sure there is plenty of space around and under the projector for ventilation. Clean or replace the air filter if necessary (see page 48).


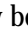
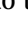
Light state	Cause and solution
  Warning light is red	<p>The projector is too hot, which turns off the lamp automatically. Let it cool for five minutes, then turn it back on. Make sure there is plenty of space around and under the projector for ventilation. Also, clean or replace the filter if necessary (see page 48).</p> <p>If you are using the projector at an altitude above 4900 feet (1500 meters), turn on <b>High Altitude Mode</b> so the fan can properly cool the projector at the high altitude air pressure (see page 46).</p>
  Warning light flashes red at half-second intervals	<p>The lamp needs to be replaced (see page 50). Make sure you have a spare lamp handy. Check to make sure the lamp and lamp cover are securely installed.</p>
  Warning light flashes red at one-second intervals	<p>There is an internal problem. Turn off the power switch on the back of the projector, and unplug it from the electrical outlet. Then contact Epson for assistance (see page 60).</p>

## Solving Picture Problems

### You cannot turn on the projector.

- Make sure the power cord is connected and the power switch is turned on. Then wait a moment for the  Power light to turn orange before pressing the  Power button.
- If you've set the Control Panel Lock, the control panel buttons are disabled; you must use the remote control to turn on the projector (see page 32).

### No picture appears on the screen or you see the No Signal message displayed.


- Press the Source button on the projector or one of the Source buttons on the remote control to select the correct input source. Allow a few seconds for the projector to sync up after pressing the button.
- Press the Blank button on the remote control to make sure the picture hasn't been turned off temporarily.
- Check that the  Power light is green, not flashing, and the lens cover is off.
- The projector may be in standby mode. If the  Power light is orange, press the  Power button to turn the projector back on.
- Make sure your video equipment is turned on.
- Make sure your cable(s) are connected correctly (see page 18).

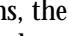


- If using HDMI, make sure the video source is HDMI 1.3 compliant; otherwise, use component, S-video, or composite video, if available, from source.

### **You're using a computer and no picture appears on the screen.**

If you're using a Windows laptop:

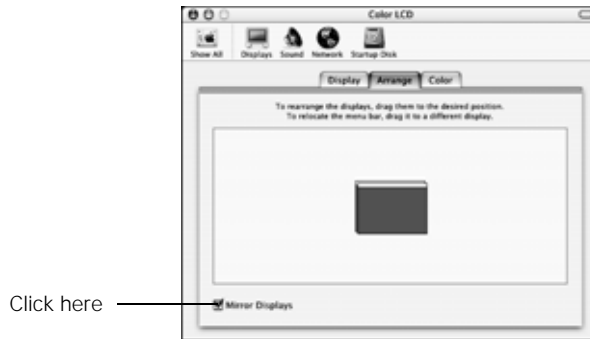
- Press the function key that lets you display on an external monitor. It's often labeled with an icon such as , but it may also be labeled CRT/LCD. You may have to hold down the Fn key while pressing it. Check your laptop's manual or online help.

On most systems, the  key lets you toggle between the LCD screen and the projector, or display on both at the same time. Allow a few seconds for the projector to sync up after pressing it.

- If the function key doesn't let you display simultaneously on both screens, you might need to use the Display utility in the Windows Control Panel to make sure that both the LCD screen and external monitor port are enabled. From the Windows Control Panel, open the Display utility. In the Display Properties dialog box, click the Settings tab, then click Advanced. The method for adjusting the setting varies from computer to computer; you may need to click a Monitor tab, then make sure the external Monitor port is set as your primary display or enabled. See your computer manual or online help for details.

If you're using Mac OS X:

1. Select System Preferences from the Apple menu and click Displays.
2. Click Detect Displays.
3. To display the entire desktop on both your projector screen and LCD screen, click the Arrangement or Arrange tab. (If you don't see this tab, make sure it isn't hidden by another window.)
4. Click Mirror Displays in the lower corner of the screen. One of the monitor icons automatically moves on top of the other.







**The picture is upside-down or reversed.**

Change the Projection setting in the Settings menu (see page 45).

**Only part of the picture is displayed, or the picture is distorted.**

- Press the Aspect button to select a different aspect ratio (see page 28).
- If the Aspect is set to Zoom, you may need to use the Zoom Caption Pos. option to see the top or bottom section of the screen so that subtitles are visible (see page 44).
- Check the Output Scaling to make sure it's adjusted correctly (see page 44).
- Use the Position setting to reposition the image on the screen (see page 44).
- If you've connected a computer and you see only half the image, make sure the computer's Dual Display setting is turned off.

**The picture isn't rectangular.**

- If the image looks like  or , the projector has been placed off to one side of the screen and angled toward it. Face the projector straight ahead (instead of at the center of the screen), then use the horizontal lens shift dial to center the image (see page 25).
- If the image looks like  or , make sure the projector is not tilted up or down.

**The picture contains static or noise.**

- Make sure the Input Signal is set correctly for your connected video equipment (see page 45).
- If you're viewing still images and you notice flickering or horizontal lines, turn on the Progressive setting (see page 37).
- Make sure your cables are securely connected at both ends.

- If you're using an extension cable, you may pick up interference if the cable is not adequately shielded. You may need to use a signal amplifier for longer cables.
- If you're displaying the same image on your computer and projector screen, try turning off your laptop's LCD display (see page 57).

### **The picture is blurry.**

- Make sure the Input Signal is set correctly for your video equipment (see page 45).
- There may be dirt on the lens. Clean the lens as described on page 47.
- Adjust the focus (see page 27).
- Make sure the lens is not fogged by condensation. If you've just moved the projector from a cold environment, wait a couple of minutes before using it.
- Adjust the Sharpness setting (see page 37).
- If you're projecting from a computer, you may need to adjust the Tracking and Sync settings (see page 41).

### **The colors on the screen don't look right.**

- Make sure the Input Signal is set correctly for your connected video equipment (see page 45).
- Press the Color Mode button on the remote control to select a different color mode (see page 29).
- Check the brightness and contrast settings (see page 35).
- Fine-tune the colors with the settings listed on page 38.
- If the picture looks dark, you may need to replace the lamp. Check the lamp usage timer to see how long the lamp has been in use (see page 53). Replace the lamp if it's close to the end of its service life (see page 50).

---

## **Solving Remote Control Problems**

### **The projector doesn't respond to remote control commands.**

- Make sure you're within about 30 feet of the projector, and the remote control is not angled away from the projector by more than 30° in any direction.
- You may need to replace the remote control batteries (see page 21).

- Dim the room lights and turn off any fluorescent lights. Make sure the projector is not in direct sunlight.
- Turn off nearby equipment that emits infrared energy, such as a radiant room heater.
- Make sure there are no objects between the remote control and the IR receiver.

## Where To Get Help

### *Internet Support*

Epson provides technical assistance 24 hours a day at [epson.com/support](http://epson.com/support). Here you can access troubleshooting information, download product documentation, and receive technical advice through e-mail.

### *Speak to a Support Representative*

To use the Epson PrivateLine Support service, call **(800) 637-7661** and enter the PIN on the Epson PrivateLine Support card that came with your projector. This is the fastest way of speaking to a live representative, and it's free. This service is available 6 AM to 6 PM, Pacific Time, Monday through Friday, for the duration of your warranty period.

You may also speak with a projector support specialist by dialing one of these numbers:

- U.S.: **(562) 276-4394**, 6 AM to 6 PM, Pacific Time, Monday through Friday
- Canada: **(905) 709-3839**, 6 AM to 6 PM, Pacific Time, Monday through Friday

Days and hours of support are subject to change without notice. Toll or long distance charges may apply.

Before you call, please have the following information ready:

- Product name (PowerLite Pro Cinema 1080 UB)
- Product serial number (located on the bottom of the projector)
- Computer configuration, if you're connected to a computer
- Description of the problem

### *Purchase Supplies and Accessories*

You can purchase screens, carrying cases, or other accessories from an authorized Epson reseller. To find the nearest reseller, call 800-GO-EPSON (800-463-7766). To purchase online, visit [www.epsonstore.com](http://www.epsonstore.com) (U.S. sales) or [www.epson.ca](http://www.epson.ca) (Canadian sales).

# Specifications

## **General**

Type of display	Poly-silicon TFT active matrix
Size of LCD panels	0.74 inch (18 mm) wide
Lens	F=2.0 to 3.17
Resolution (native format)	1920 × 1080 pixels, 1080p
Brightness	1600 ANSI lumens maximum
Contrast ratio	50,000:1 with Auto Iris on, for select color modes
Image size	30 to 150 inches
Projection distance	2.8 to 31.4 feet (0.87 to 9.57 m) at 16:9 3.5 to 38.4 feet (1.06 to 11.70 m) at 4:3
Zoom ratio	1-2.1
Aspect ratio	16:9 or 4:3
Fan noise level	24 dB (in low brightness mode, for select color modes) to 32 dB (in high brightness mode, for select color modes)

## **Lamp**

**Note:** Lamp life results will vary depending on mode selected, environmental conditions, and usage.

Turn off this product when not in use to prolong the life of the projector.

Type	UHE (Ultra High Efficiency), E-TORL
Power consumption	170 W
Lamp life	2500 hours (in high brightness mode, for select color modes) to 3000 hours (in low brightness mode, for select color modes), depending on usage
Part number	V13H010L39

## **Remote Control**

Range	Approximately 30 feet (10 m)
Batteries	AA × 2

## ***Dimensions***

Height	4.9 inches (124 mm); not including adjustable feet
Width	16 inches (406 mm)
Depth	12.2 inches (310 mm); not including lens protrusion
Weight	12.3 lb (5.6 kg)

## ***Electrical***

Rated frequency	50/60 Hz AC
Power supply	100 to 120 VAC, 2.7 A 200 to 240 VAC, 1.2 A
Power consumption	Operating: 245 W (100 to 120V), 240 W (200 to 240 V) Standby: 4 W (100 to 120V), 5 W (220 to 240 V)

## ***Environmental***

Temperature	Operating: 41 to 95 °F (5 to 35 °C) Storage: 14 to 140 °F (-10 to 60 °C)
Humidity	Operating: 20 to 80% RH, non-condensing Storage: 10 to 90% RH, non-condensing
Operating altitude	up to 7500 feet (up to 2286 meters)

## ***Safety***

United States	FCC Part 15B Class B (DoC) UL60950-1
Canada	ICES-003 Class B CSA C22.2 No. 60950-1



Pixelworks DNX™ ICs are used in this projector.

## Compatible Video Formats

The projector supports analog video in NTSC, PAL, and SECAM formats, and it automatically adjusts to the incoming signal. It can receive these formats as composite video, S-video, or component video—which it accepts through the Video, S-Video, and Component ports, respectively.

The projector also supports digital video (SDTV, HDTV) and various monitor display formats. Digital video is accepted by the HDMI and Component video ports. The PC port accepts analog RGB computer monitor signals.

If necessary, you can select a different Aspect setting to optimize the image. The resolution at which the image displays for a given setting depends on the currently active picture source, as listed in the following tables.

### Composite video or S-Video

Format	Resolution	Aspect setting			
		Normal (4:3)	Full	Zoom (16:9)	Wide (16:9)
NTSC	720 × 480 720 × 360	1440 × 1080	1920 × 1080	1920 × 1080	1920 × 1080
PAL or SECAM	720 × 576 720 × 432	1440 × 1080	1920 × 1080	1920 × 1080	1920 × 1080

### Component video

Format/ Signal	Resolution	Aspect setting			
		Normal	Full	Zoom	Wide
<b>SDTV</b>		(4:3)		(16:9)	(16:9)
480i	720 × 480	1440 × 1080	1920 × 1080	1920 × 1080	1920 × 1080
625i	720 × 576	1440 × 1080	1920 × 1080	1920 × 1080	1920 × 1080
480p	720 × 480	1440 × 1080	1920 × 1080	1920 × 1080	1920 × 1080
625p	720 × 576	1440 × 1080	1920 × 1080	1920 × 1080	1920 × 1080
<b>HDTV</b>		(16:9)			
720p	1280 × 720	1920 × 1080	--	--	--
1080i	1920 × 1080	1920 × 1080			
1080p	1920 × 1080	1920 × 1080			

**Note:** The signal name refers to the total number of visible scan lines and the display mode (interlaced or progressive), as defined by the signal format.

### Analog RGB

Signal (4:3)	Aspect setting				
	Resolution	Normal	Full	Zoom	Wide
VGA*	640 × 480	1440 × 1080	1920 × 1080	1920 × 1080	1920 × 1080
VESA	640 × 480	1440 × 1080	1920 × 1080	1920 × 1080	1920 × 1080
SVGA	800 × 600	1440 × 1080	1920 × 1080	1920 × 1080	1920 × 1080
XGA	1024 × 768	1440 × 1080	1920 × 1080	1920 × 1080	1920 × 1080
SXGA	1280 × 1024	1350 × 1080	1920 × 1080	1920 × 1080	1920 × 1080
	1280 × 960	1440 × 1080	1920 × 1080	1920 × 1080	1920 × 1080
WXGA	1280 × 768	1800 × 1080	1920 × 1080	1920 × 1080	1920 × 1080
	1360 × 768	1912 × 1080	1920 × 1080	1920 × 1080	1920 × 1080
MAC13"	640 × 480	1440 × 1080	1920 × 1080	1920 × 1080	1920 × 1080
MAC16"	832 × 624	1440 × 1080	1920 × 1080	1920 × 1080	1920 × 1080
MAC19"	1024 × 768	1440 × 1080	1920 × 1080	1920 × 1080	1920 × 1080
SDTV*					
480i	720 × 480	1440 × 1080	--	1920 × 1080	1920 × 1080
480p	720 × 480	1440 × 1080		1920 × 1080	1920 × 1080
625i	720 × 576	1440 × 1080		1920 × 1080	1920 × 1080
625p	720 × 576	1440 × 1080		1920 × 1080	1920 × 1080
HDTV*					
720p	1280 × 720	1920 × 1080	--	--	--
1080i	1920 × 1080	1920 × 1080			
1080p	1920 × 1080	1920 × 1080			

\* HDMI input signals



## ESC/VP21 Command Codes

You can use an AV controller with a 9-pin null modem serial cable to control the projector. You can download the complete *ESC/VP 21 Communication Manual* for home theater projectors from the Epson website at [epson.com/support](http://epson.com/support). Following are some of the available codes:

Item		Command	
Power ON/OFF	ON	PWR ON	
	OFF	PWR OFF	
A/V Mute ON/OFF	ON	MUTE ON	
	OFF	MUTE OFF	
A/V Mute selection	Black	MSEL 00	
	Blue	MSEL 01	
Source change	<b>Terminal</b>	<b>Signal name</b>	
	Component	Component video	SOURCE 10
		YCbCr	SOURCE 14
		YPbPr	SOURCE 15
		Auto	SOURCE 1F
	PC	HDB15	SOURCE 20
		RGB	SOURCE 21
	HDMI1	HDMI	SOURCE 30
	HDMI2	HDMI	SOURCE A0
	Video	Video/S-Video	SOURCE 40
		Video (RCA)	SOURCE 41
		S-Video	SOURCE 42
	Input 5	Digital video	SOURCE C0
		YCbCr	SOURCE C4
		YPbPr	SOURCE C5
	Auto	SOURCE CF	
Color Mode	Cinema Night	CMODE 05	
	Cinema Day	CMODE 06	
	Natural	CMODE 07	
	Vivid	CMODE 08	
	HD	CMODE 09	
	Silver Screen	CMODE 0A	

<b>Item</b>	<b>Command</b>	
Aspect ratio	Auto	ASPECT 00
	Normal	ASPECT 20
	Full	ASPECT 21
	Zoom	ASPECT 22
	Wide	ASPECT 25

# Notices

## Important Safety Information

Follow these safety instructions when setting up and using the projector:

- Never look into the projector lens when the lamp is turned on; the bright light can damage your eyes. Never let children look into the lens when it is on.
- Never open any cover on the projector, except the lamp and filter covers. Dangerous electrical voltages inside the projector can severely injure you.
- Except as specifically explained in this *User's Guide*, do not attempt to service this product yourself. Refer all servicing to qualified service personnel.
- The projector and its accessories come packaged in plastic bags. Keep plastic bags away from small children to avoid any risk of suffocation.
- Don't place the projector on an unstable cart, stand, or table. Also, don't use the projector near water or sources of heat.
- Use the type of power source indicated on the projector. If you're not sure of the power available, consult your dealer or power company.
- Place the projector near a wall outlet where the plug can be easily unplugged.
- Don't insert the plug into an outlet with dust present, and insert the plug firmly into the outlet. Failure to do so could result in sparks or fire.
- Don't overload wall outlets, extension cords, or integral convenience receptacles. This can cause fire or electric shock.
- Don't block the slots and openings in the projector case. They provide ventilation and prevent the projector from overheating. Don't operate the projector on a sofa, rug, or other soft surface, or in a closed-in cabinet unless proper ventilation is provided.
- Never push objects through the cabinet slots or spill liquid into the projector.
- Unplug the projector from the wall outlet and refer servicing to qualified service personnel under the following conditions: when the power cord or plug is damaged or frayed; if liquid has been spilled into the projector, or if it has been exposed to rain or water; if it doesn't operate normally when you follow the operating instructions, or if it exhibits a distinct change in performance, indicating a need for service; if it has been dropped or the housing has been damaged.
- Don't place the projector where the cord can be walked on. This may result in fraying or damage to the plug.
- Unplug the projector from the wall outlet before cleaning. Use a damp cloth for cleaning. Do not use liquid or aerosol cleaners.

- (Hg) The lamp(s) in this product contain mercury. Please consult your state and local regulations regarding disposal or recycling. Do not put in the trash.
- Allow the lamp to cool for one hour before replacing it.
- Unplug the projector during lightning storms or when not in use for extended periods.
- Don't place the projector or remote control on top of heat-producing equipment.
- If you use the projector in a country other than where you purchased it, use the correct power cord for that country.
- Don't stand on the projector or place heavy objects on it.
- Don't use the projector outside of the required temperature range of 41 to 95 °F (5 to 35 °C). Doing so may cause an unstable display and could lead to projector damage.
- Don't store the projector outside of the required temperature range of 14 to 140 °F (-10 to 60 °C) or in direct sunlight for long periods of time. Doing so may cause damage to the case.

**WARNING:** The cords included with this product contain chemicals, including lead, known to the State of California to cause birth defects or other reproductive harm. **Wash hands after handling.** (posted in accordance with Proposition 65 in Cal. Health & Safety Code § 2549.5 et seq)

# FCC Compliance Statement

## For United States Users

This equipment has been tested and found to comply with the limits for a Class B digital device, pursuant to Part 15 of the FCC Rules. These limits are designed to provide reasonable protection against harmful interference in a residential installation. This equipment generates, uses, and can radiate radio frequency energy and, if not installed and used in accordance with the instructions, may cause harmful interference to radio or television reception. However, there is no guarantee that interference will not occur in a particular installation. If this equipment does cause interference to radio and television reception, which can be determined by turning the equipment off and on, the user is encouraged to try to correct the interference by one or more of the following measures:

- Reorient or relocate the receiving antenna.
- Increase the separation between the equipment and receiver.
- Connect the equipment into an outlet on a circuit different from that to which the receiver is connected.
- Consult the dealer or an experienced radio/TV technician for help.

## WARNING

The connection of a non-shielded equipment interface cable to this equipment will invalidate the FCC Certification of this device and may cause interference levels which exceed the limits established by the FCC for this equipment. It is the responsibility of the user to obtain and use a shielded equipment interface cable with this device. If this equipment has more than one interface connector, do not leave cables connected to unused interfaces. Changes or modifications not expressly approved by the manufacturer could void the user's authority to operate the equipment.

## For Canadian Users

This Class B digital apparatus meets all requirements of the Canadian Interference-Causing Equipment Regulations.

# Declaration of Conformity

According to 47CFR, Part 2 and 15 for Class B Personal Computers and Peripherals; and/or CPU Boards and Power Supplies used with Class B Personal Computers:

We: Epson America, Inc.  
Located at: 3840 Kilroy Airport Way  
MS 3-13  
Long Beach, CA 90806-2469  
Telephone: (562) 290-5254

Declare under sole responsibility that the product identified herein, complies with 47CFR Part 2 and 15 of the FCC rules as a Class B digital device. Each product marketed is identical to the representative unit tested and found to be compliant with the standards. Records maintained continue to reflect the equipment being produced can be expected to be within the variation accepted, due to quantity production and testing on a statistical basis as required by 47CFR §2.909. Operation is subject to the following two conditions: (1) this device may not cause harmful interference, and (2) this device must accept any interference received, including interference that may cause undesired operation.

Trade Name: Epson  
Type of Product: Projector  
Model: H262A  
Marketing Name: PowerLite Pro Cinema 1080 UB

# Epson America, Inc. Limited Warranty

## ***Basic Three-Year Warranty and 90-Day Lamp Warranty***

*What Is Covered.* Epson America, Inc. (“Epson”) warrants to the original retail purchaser of the Epson product enclosed with this limited warranty statement that the product, if purchased new and operated in the United States or Canada, will be free from defects in workmanship and materials for a period of three (3) years from the date of original purchase (except that the warranty period is 90 days for projector lamps). For warranty service, you must provide proof of the date of original purchase.

*What Epson Will Do To Correct Problems.* If your product requires service, Epson will ask you to bring the product securely packaged in its original container or equivalent, along with proof of the date of original purchase, to your Epson Dealer or Epson Customer Care Center as instructed by Epson. Epson will, at its option, repair or replace the defective unit, without charge for parts or labor. When warranty service involves the exchange of the product or of a part, the item replaced becomes Epson property. The exchanged product or part may be new or previously refurbished to the Epson standard of quality, and at Epson’s option, the replacement may be another model of like kind and quality.

Epson’s liability for replacement of the covered product will not exceed the original retail selling price of the covered product. Exchange or replacement products or parts assume the remaining warranty period of the product covered by this limited warranty. However, each replacement lamp carries the limited 90-day warranty stated above.

*What This Warranty Does Not Cover.* This warranty covers only normal use of the product. 24-hour-per-day or other high duty commercial use causes strain and is not considered normal use. This warranty does not cover consumables (e.g., fuses), other than lamps. This warranty is not transferable. Epson is not responsible for warranty service should the Epson label or logo or the rating label or serial number be removed. Epson is not responsible for warranty service should the product fail to be properly maintained or fail to function properly as a result of misuse, abuse, improper installation, neglect, improper shipping, damage caused by disasters such as fire, flood, and lightning, improper electrical current, software problems, interaction with non-Epson products, or service other than by an Epson Authorized Servicer. Postage, insurance, or shipping costs incurred in presenting your Epson product for carry-in warranty service are your responsibility. If a claimed defect cannot be identified or reproduced in service, you will be held responsible for costs incurred.

THE WARRANTY AND REMEDY PROVIDED ABOVE ARE EXCLUSIVE AND IN LIEU OF ALL OTHER EXPRESS OR IMPLIED WARRANTIES INCLUDING, BUT NOT LIMITED TO, THE IMPLIED WARRANTIES OF MERCHANTABILITY OR FITNESS FOR A PARTICULAR PURPOSE. SOME LAWS DO NOT ALLOW THE EXCLUSION OF IMPLIED WARRANTIES. IF THESE LAWS APPLY, THEN ALL EXPRESS AND IMPLIED WARRANTIES ARE LIMITED TO THE WARRANTY PERIOD IDENTIFIED ABOVE. UNLESS STATED HEREIN, ANY STATEMENTS OR REPRESENTATIONS MADE BY ANY OTHER PERSON OR FIRM ARE VOID. IN THE EVENT THE REMEDIES ABOVE FAIL, EPSON’S ENTIRE LIABILITY SHALL BE LIMITED TO A REFUND OF THE PRICE PAID FOR THE EPSON PRODUCT COVERED BY THIS LIMITED WARRANTY. EXCEPT AS PROVIDED IN THIS WRITTEN

WARRANTY, NEITHER EPSON AMERICA, INC. NOR ITS AFFILIATES SHALL BE LIABLE FOR ANY LOSS, INCONVENIENCE, OR DAMAGE, INCLUDING DIRECT, SPECIAL, INCIDENTAL, OR CONSEQUENTIAL DAMAGES, RESULTING FROM THE USE OR INABILITY TO USE THE EPSON PRODUCT, WHETHER RESULTING FROM BREACH OF WARRANTY OR ANY OTHER LEGAL THEORY.

In Canada, warranties include both warranties and conditions. Some jurisdictions do not allow limitations on how long an implied warranty lasts and some jurisdictions do not allow the exclusion or limitation of incidental or consequential damages, so the above limitations and exclusions may not apply to you. This warranty gives you specific legal rights, and you may also have other rights, which vary from jurisdiction to jurisdiction.

To find the Epson Authorized Reseller nearest you, visit our website at: [www.epson.com](http://www.epson.com).

To find the Epson Customer Care Center nearest you, visit [epson.com/support](http://epson.com/support).

You can also call the Epson Connection<sup>SM</sup> at (800) 637-7661 + PIN or (562) 276-4394 in the U.S. and (905) 709-3839 in Canada or write to:

Epson America, Inc., P.O. Box 93012, Long Beach, CA 90809-3012



# Index

## Numerics

2-2 Pull-down, 38

## A

Abs. Color Temp. setting, 30, 39

Accessories, 11, 60

Air filter

cleaning and replacing, 48 to 49

ordering, 11

Anti-theft device, 8, 11

Aspect button, 10, 28, 58

Aspect ratio, selecting, 28, 44

Auto Iris setting, 36

Auto Setup, 40

## B

Batteries, remote control, 21

Blank button, 10, 24

Blurry picture, 59

Brightness

setting, 36

specification, 61

Brightness Control setting, 37

Buttons

projector, 9

remote control, 10

## C

Cables, connecting, 18 to 20

Child Lock, 32, 46

Cleaning

air filter, 48 to 49

lens and projector case, 47, 48

Codes, AV controller, 65

Color

adjusting, 30 to 31, 38 to 40

problems, 59

Color Mode, 10, 29, 59

Color Saturation setting, 38

Color temperature setting, 30, 39

ColorTemp. button, 10, 30

Component setting, 46

Component video connection, 19

Computer

adjusting image, 40

displaying image, 57

Contrast

button, 10

setting, 36

Control Panel Lock, 32, 46

Control panel, projector, 9

## D

Declaration of Conformity, 70

Direct Power On, 45

Display Background setting, 45

Documentation, 12

## E

Electrical requirements, 62

Epson

accessories, 11, 60

Home Service, 11

PrivateLine Support, 12, 60

technical support, 12, 60

warranty, 11, 71 to 72

EPSON Super White setting, 36

ESC/VP21 command codes, 65

## F

FCC Compliance Statement, 69  
Filter, *see* Air filter  
Flickering, 38, 58  
Focus ring, 27

## G

Gain, color, 39  
Gamma, 30 to 31, 40  
Gamma button, 10

## H

HDMI, 7, 18, 19, 36 to 37  
Help, 60  
High Altitude Mode, 46  
Home Service, 11

## I

Illumination of buttons, 21  
Image  
    adjusting, 30 to 31, 35 to 41  
    changing aspect ratio, 28  
    positioning, 25 to 26, 44  
    resizing, 28, 44  
    selecting source, 23  
    size, 15  
Image menu, 43  
Image problems, 56 to 59  
Info menu, 53  
Installing projector, 16 to 18  
Interference, signal, 59

## K

Kensington anti-theft device, 8, 11

## L

Lamp  
    checking usage timer, 53  
    life, 61  
    ordering, 11, 50  
    replacing, 50 to 52  
    resetting usage timer, 52  
    safety instructions, 67 to 68  
    specifications, 61  
Language setting, 34  
Lens shift dials, 14, 25  
Lens, cleaning, 47  
Lights, projector, 55 to 56  
Line menu, 10  
Lock  
    Child Lock, 32, 46  
    Control Panel Lock, 32, 46  
    Kensington, 8, 11  
    projector buttons, 32

## M

Memory button, 10, 34, 42  
Memory settings  
    creating, 42  
    using, 42  
Menu button, 10, 33  
Menus  
    available settings, 34 to 46  
    customizing display, 34  
    line menu, 10  
    using, 33 to 35  
Message setting, 45  
Motion Detection, 38  
Mounting projector, 17  
Moving projector, 54

## N

No image, 56 to 57  
Noise Reduction, 38

## O

Offset, color, 39  
Output scaling, 44

## P

Pattern button, 10  
Picture problems, 56 to 59  
Pixelworks, 62  
Positioning image, 25 to 26, 44  
Positioning projector, 13 to 16  
PrivateLine Support, 12, 60  
Problems

- indicator lights, 55 to 56
- picture, 56 to 59
- remote control, 59

Progressive mode setting, 38  
Projection distance, 15, 61  
Projection Distance Calculator, 15  
Projector

- checking status, 53
- cleaning, 48
- control panel, 9
- dimensions, 17, 62
- installing, 16 to 18
- lights, 55 to 56
- locking buttons, 32
- menus, 34 to 46
- parts, 8 to 9
- positioning, 13 to 16
- resetting menu options, 43
- security lock, 8, 11
- storing, 53
- transporting, 54
- turning on and off, 22 to 23, 56

## R

Registration, 11  
Remote control

- batteries, 21
- buttons, 10
- lighting up buttons, 21
- problems, 59

Replacing lamp, 50 to 52  
Resetting

- lamp usage timer, 43, 52
- projector settings, 43

Resolution

- compatible formats, 63 to 64
- projector, 53, 61

RGB settings, 39  
RGBCMY settings, 40

## S

Safety approvals, 62  
Safety instructions, 67 to 68  
Setup level, 36  
Sharpness, 37  
Signal menu, 36  
Skin Tone

- button, 10
- setting, 30, 39

Sleep mode, 46  
Source buttons, 9, 10  
Source, selecting image, 23  
Specifications

- compatible video formats, 63 to 64
- dimensions, 62
- electrical, 62
- environmental, 62
- general, 61
- lamp, 61
- remote control, 61

Startup screen, selecting, 45  
Static, 59

Storing projector, 53  
Support, 12, 60  
S-Video connection, 19  
Sync (Synchronization) setting, 40

## **T**

Technical support, 12, 60  
Tint, 39  
Tracking, 40  
Transporting projector, 54  
Trigger out port, 20  
Trigger out setting, 46  
Turning on and off projector, 22 to 23, 56

## **V**

Video Signal setting, 45  
Video, compatible formats, 63 to 64  
VP21 codes, 65

## **W**

Warranty, 11, 71 to 72  
Where to Get Help, 60  
Wide setting, 28

## **X**

x.v. Color, 29

## **Z**

Zoom Caption Pos. setting, 28, 44  
Zoom ring, 27  
Zoom setting, 28