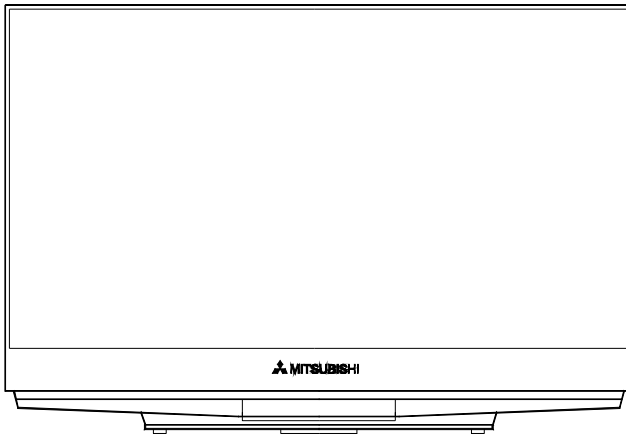


DLP PROJECTION HDTV

V36, V36L, V37, V37L & V38 CHASSIS



V36

WD-57733
WD-65733
WD-73733

V37

WD-57734
WD-65734
WD-73734

V38

WD-57833
WD-65833
WD-73833

V36L

WD-C657

V37L

WD-Y577
WD-Y657

CAUTION:

Before servicing this chassis, it is important that the service person read the "SAFETY PRECAUTIONS" and "PRODUCT SAFETY NOTICE" contained in this manual.

SPECIFICATIONS

- | | |
|--|---|
| <ul style="list-style-type: none"> • Power Input : AC 120V, 60Hz • Power Usage : See table on page 5 • Light Engine : DLP™ (1920 x 1080 pixels)
6 Primary Color System
 • Light Source : 180W • Channel Range : Air VHF - 2~13, UHF - 14~69
Analog Cable - 1~125
Digital Cable - 1~135 • Antenna Input : 2 RF 75Ω unbalanced
 • Tuning : 1 NTSC/ATSC/QAM
 • Cabinet Dimensions : See Table on page 5
 • Weight : See table on page 5
 • Speakers (4Ω 10W) : Two 5½"x2¼" Oval
 • Input Level : VIDEO IN JACK (RCA Type)
1.0Vp-p 75Ω unbalanced
 • Design specifications are subject to change without notice. | <ul style="list-style-type: none"> • Input Level (continued) : AUDIO IN JACK (RCA Type)
-4.7dBm 43kΩ unbalanced : S-VIDEO IN JACK
(Y/C separate type)
Y:1.0 Vp-p C:0.286Vp-p(BURST)
75Ω unbalanced : COMP / Y, Cr, Cb (RCA Type)
Y: 1.0 Vp-p Cr, Cb: 700mVp-p
 • Output Level : VIDEO OUT JACK (RCA Type)
1.0Vp-p 75Ω unbalanced
(V38 only) : AUDIO OUT JACK (RCA Type)
-4.7dBm 4.7kΩ unbalanced
 • Digital : IEEE-1394 I/O Jacks (V38 only)
: AC-3 Digital Audio Output
(RCA Type)
: HDMI™
: IR Blaster Output (V37/V37L/V38 only)
: USB
: PC - use HDMI™ |
|--|---|

MITSUBISHI DIGITAL ELECTRONICS AMERICA, INC.

9351 Jeronimo Road, Irvine, CA 92618-1904

Copyright © 2007 Mitsubishi Digital Electronics America, Inc.

All Rights Reserved

CONTENTS

INTRODUCTION	5
Dimensions, weight, power usage, etc.	5
PRODUCT SAFETY NOTICE	5
SAFETY PRECAUTIONS	6
DISASSEMBLY	7
Back Cover Removal	7
Chassis Removal	7
Chassis Disassembly	8
OPTICAL ENGINE.....	13
Optical Engine Removal from cabinet	13
Optical Engine Removal from Sub Assembly	14
Optical Engine Sub Assembly	15
Engine Installation & Ballast Removal	16
SCREEN DISASSEMBLY	17
Rear Escutcheon Removal (V38 models ONLY)	17
Screen Assembly (Bezel) Removal	17
Screen Removal From Bezel	19
Screen Replacement.	21
SPEAKER & PWB-SBL Replacement	22
Speaker Replacement	22
PWB-SBL-L & PWB-SBL-R Replacement (V38 models ONLY)	22
INITIAL SETTINGS, INITIALIZATION & TROUBLESHOOTING	23
Option Menu & Remote Controls	23
Digital Signal Strength	23
Reset and Initialization	24
Initial Settings	25
LED Indications	27
Error Code Operation	28
Lamp Troubleshooting	29
SERVICE ADJUSTMENTS	31
Equipment & Test Signals	31
Circuit Adjustment Mode	31
Horizontal & Vertical Centering Adjustment	32
Manual Keystone Geometry Alignment	32
Full Adjustment Mode Activation	32
Full Adjustment Mode Procedure	33
Touch Up Adjustment Mode	34
Data Transfer	34
USING LEAD FREE SOLDER	35
CHIP PARTS REPLACEMENT	36
REPLACEMENT PARTS	37
Parts Ordering	37

Critical and Warranty Parts Designation	37
Parts Tolerance Codes	37
Quick Reference List	38
SERVICE PARTS LIST	39
SCREEN ASSEMBLY PARTS LIST	47
MIRROR REPLACEMENT	49
CIRCUITRY BLOCK DIAGRAMS	52
V36/V37/V38 Main Power Supply	52
V36/V37/V38 PWB-MAIN DC to DC Supplies	53
V36/V37 Overall Video Signal Path	54
V38 Overall Video Signal Path	55
V36/V37/V38 PWB-TERMINAL Video Select Circuitry	56
V36/V37/V38 Overall Sound Signal Path	57
V36/V37/V38 PWB-TERMINAL Sound Select Circuitry	58
V36/V37/38 Overall Control Circuitry	59
V36/V37/V38 Engine & Lamp Control Circuitry	60
V36/V37/V38 Auto Input/Output Detect Circuitry	61
V36/V37/V38 Short Protect Circuitry	62
SCHEMATIC DIAGRAMS	

Digital Light Processing, Digital Micro Mirror Device and DLP are Trademarks of Texas Instruments.
Dolby and Dolby digital are registered trademarks of Dolby Laboratories.
DTV Link is a trademark of Consumer Electronics Association
HDMI, the HDMI logo and High-Definition Multimedia Interface are trademarks or registered trademarks of HDMI Licensing, LLC..

INTRODUCTION

This service manual provides service instructions for the V36, V37, V36L, V37L and V38 chassis types. The specific models for each chassis type, dimensions and weight are listed below. Service personnel should read this manual thoroughly before servicing these chassis.

MODEL	CHASSIS	HEIGHT	WIDTH	DEPTH	WEIGHT	POWER USAGE
WD-57733	V36	35"	51.3"	13.9"	62 lbs	260W
WD-65733	V36	39.5"	58.2"	15.4"	78 lbs	"
WD-73733	V36	43.6"	65.2"	17.5"	107.8lbs	"
WD-57734	V37	35"	51.3"	13.9"	62 lbs	265W
WD-65734	V37	39.5"	58.2"	15.4"	78 lbs	"
WD-73734	V37	43.6"	65.2"	17.5"	107.8lbs	"
WD-C657	V36L	39.5"	58.2"	15.4"	78 lbs	260W
WD-Y577	V37L	35"	51.3"	13.9"	62 lbs	265W
WD-Y657	V37L	39.5"	58.2"	15.4"	78 lbs	"
WD-57833	V38	35"	51.3"	13.9"	62 lbs	275W
WD-65833	V38	39.5"	58.2"	15.4"	78 lbs	"
WD-73833	V38	43.6"	65.2"	17.5"	107.8lbs	"

This service manual includes:

1. Assembly and disassembly instructions for cabinet and chassis components.
2. Servicing of the Lenticular Screen and Fresnel Lens.
3. Servicing printed circuit boards (PCBs).
4. Electrical and Mechanical adjustments.
6. Chip parts replacement procedures.
7. Circuit path diagrams.

The parts list section of this service manual includes:

1. Cabinet and screen parts.
2. Electrical parts.

Schematic and block diagrams of the above listed models are included in this service manual for better understanding of the circuitry.

PRODUCT SAFETY NOTICE

Many electrical and mechanical parts in television receivers have special safety related characteristics. These characteristics are often not evident from visual inspection nor can the protection afforded by them necessarily be obtained by using replacement components rated for higher voltage, wattage, etc.

Replacement parts which have special safety characteristics are identified in this service manual.

Electrical components having such features are identified by shading on the schematic diagram and parts list of this service manual, and by marking on the supplementary sheet for this chassis to be issued subsequently. **Therefore, the replacement for any safety part should be identical in value and characteristics.**



Solder

The PWBs used in the V36, V37, V36L, V37L and V38 chassis are constructed using Lead-Free solder. **When servicing use only recommended Lead-Free solder (refer to page 35).**

SAFETY PRECAUTIONS

NOTICE: Observe all cautions and safety related notes located inside the receiver cabinet and on the receiver chassis.

WARNING:

1. Operation of this receiver outside the cabinet or with the cover removed presents a shock hazard from the receiver's power supplies. Work on the receiver should not be attempted by anyone who is not thoroughly familiar with the precautions necessary when working on high voltage equipment.
2. When service is required, observe the original lead dress. Where a short-circuit has occurred, replace those components that indicate evidence of overheating.

SAFETY PRECAUTION

To protect your eyes, do not look directly into the lamp, or light coming directly from the lamp, lens or mirror.

Leakage current check

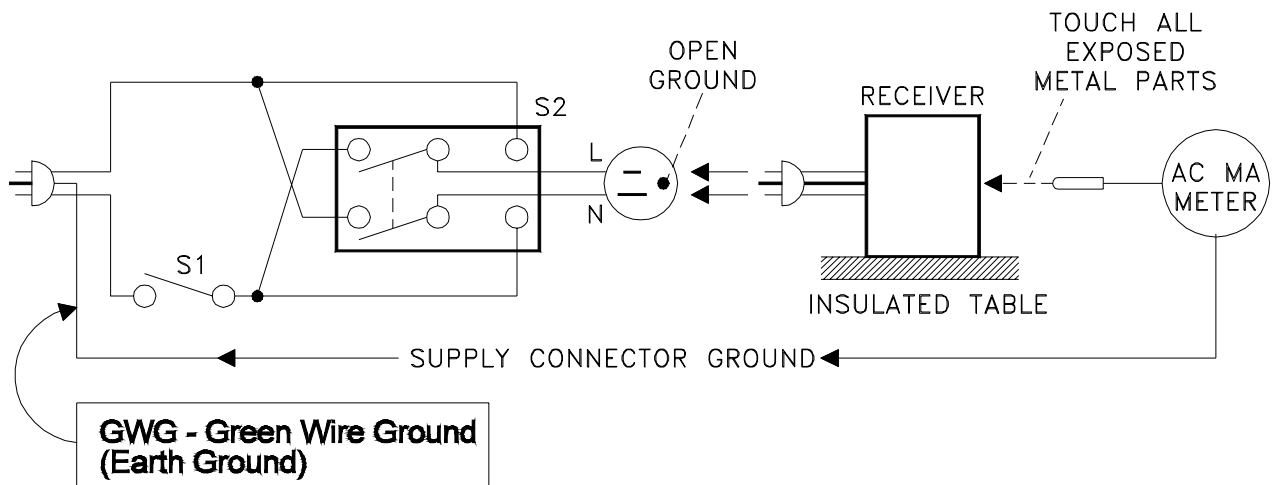
Before returning the receiver to the customer, it is recommended that leakage current be measured according to the following methods.

1. Cold Check

With the alternating current (AC) plug removed from the AC source, place a jumper across the two AC plug prongs. Connect one lead of an ohm meter to the AC plug and touch the other lead to each exposed metal part (i.e. antennas, handle bracket, metal cabinet, screw heads, metal overlay, control shafts, etc.), particularly any exposed metal part that has a return path to the chassis. The resistance of the exposed metal parts having a return path to the chassis **should be a minimum of 1Meg Ohm**. Any resistance below this value indicates an abnormal condition and requires corrective action.

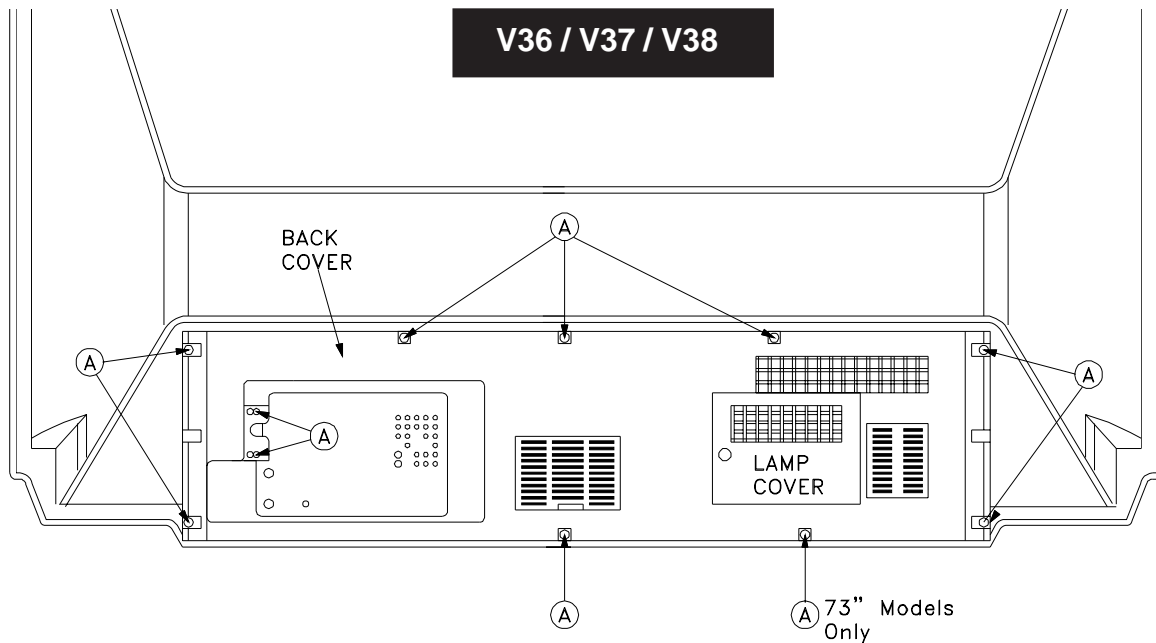
2. Hot Check ...Use the circuit shown below to perform the hot check test.

1. Keep switch S1 open and connect the receiver to the measuring circuit. Immediately after connection, and with the switching devices of the receiver in their operating positions, measure the leakage current for both positions of switch S2.
2. Close switch S1, energizing the receiver. Immediately after closing switch S1, and with the switching devices of the receiver in their operating positions, measure the leakage current for both positions of switch S2. Repeat the current measurements of items 1 and 2 after the receiver has reached thermal stabilization. **The leakage current must not exceed 0.5 milliamper (mA).**



DISASSEMBLY

Back Cover Removal



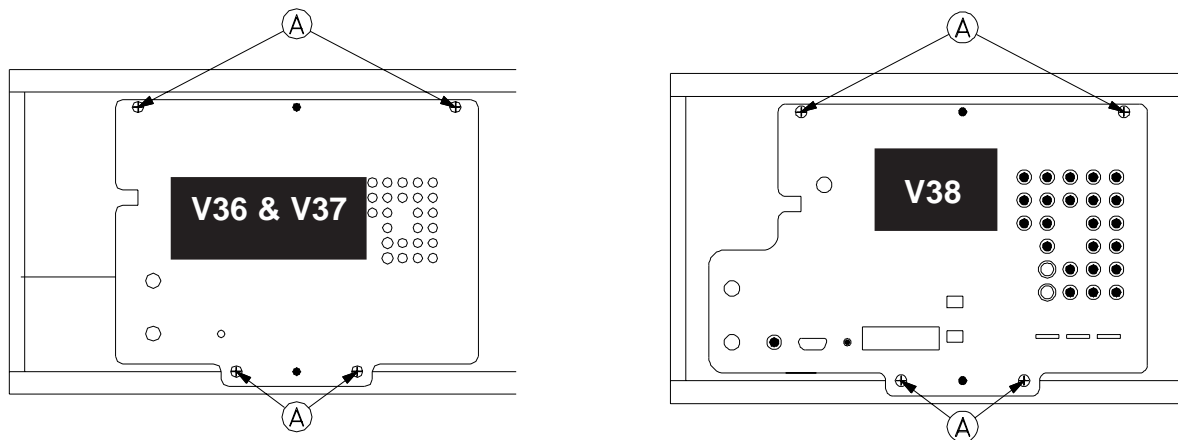
Back Cover Removal Procedure

- 1) Remove 10 screws (A) from the back cover (11 IN 73" models)..
- 2) Pull the back cover from the TV.

Back Cover Installation

Reverse the removal procedure but **install the Lamp Cover Last.**

Chassis Removal

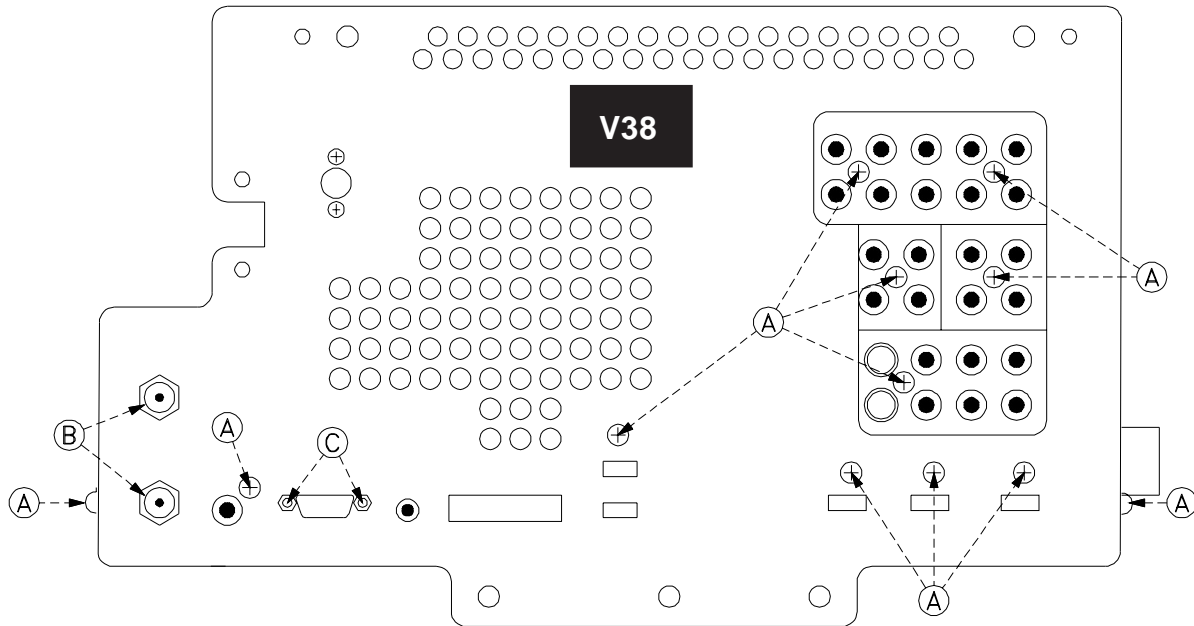
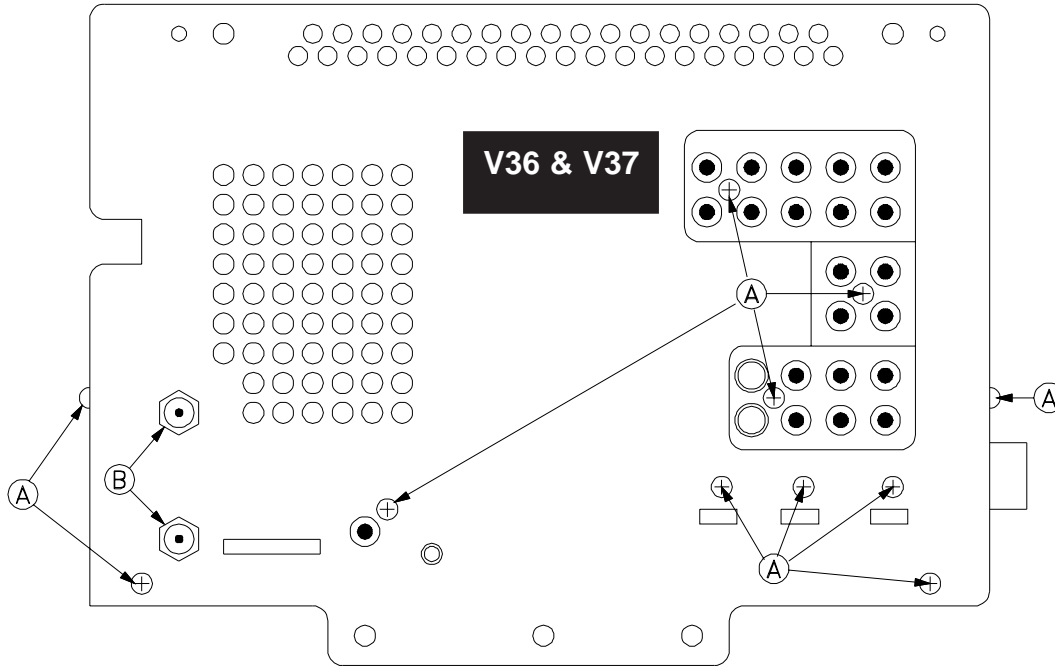


Chassis Removal

- 1) Remove four screws (A)
- 2) Disconnect all cables connecting to the chassis.
- 3) Carefully slide the chassis out of the Cabinet.

Chassis Disassembly

SHIELD-MAIN-TERMINAL Removal



Shield-Main-Terminal Removal Procedure

- 1) Remove two nuts (B) from the RF inputs.
- 2) Remove two hex screws (C) from the Monitor Link socket. (V38 ONLY)
- 3) Remove 11 screws (A) that secure the Main Terminal Shield to the chassis.
- 4) Pull the Main Terminal Shield away from the chassis.

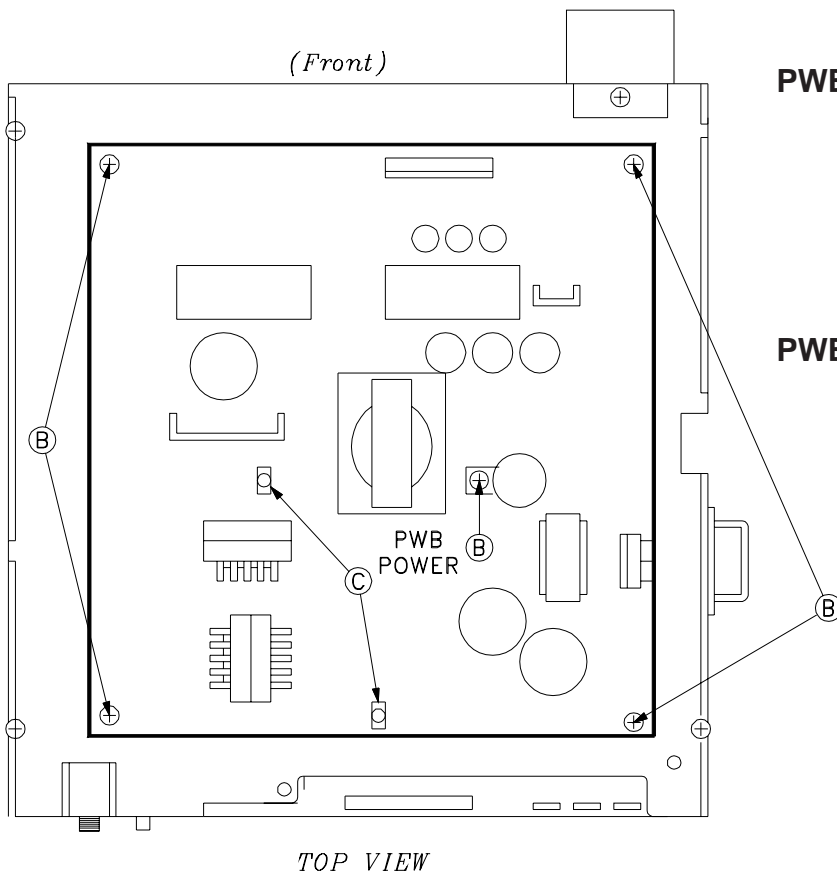
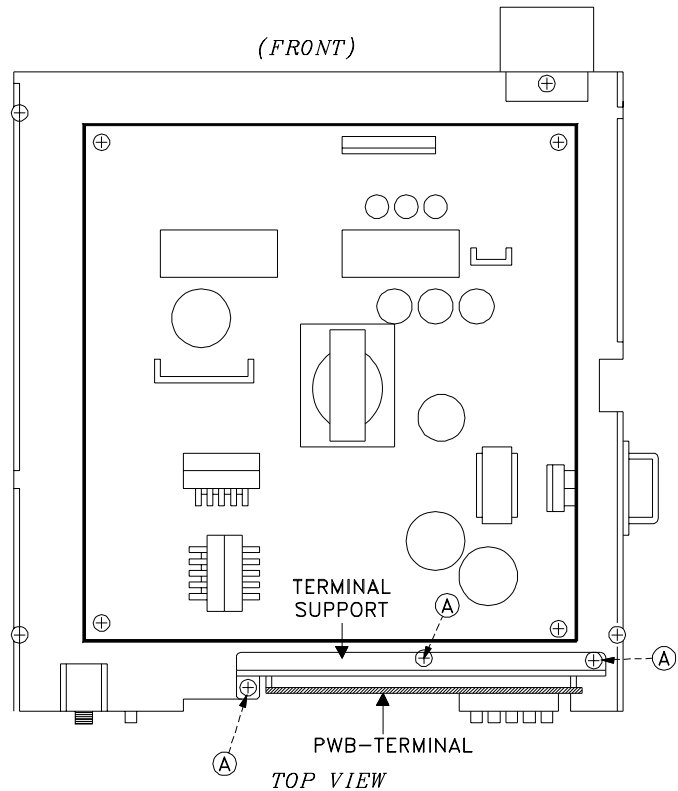
Chassis Disassembly (continued)

PWB-TERMINAL Removal

- 1) Remove three screws (A).
- 2) Carefully lift the PWB-TERMINAL and its' support bracket from the chassis.

PWB-TERMINAL Replacement

- 1) Reverse the removal procedure to install the new PWB-TERMINAL.
- 2) Transfer data from PWB-MAIN to the new PWB-TERMINAL. (Refer to Data transfer on page 34).



PWB-POWER Removal

- 1) Remove five screws (B)
- 2) Disconnect all cables to the PWB-POWER.
- 3) Release clips (C).
- 4) Carefully lift the PWB-POWER from the chassis box.

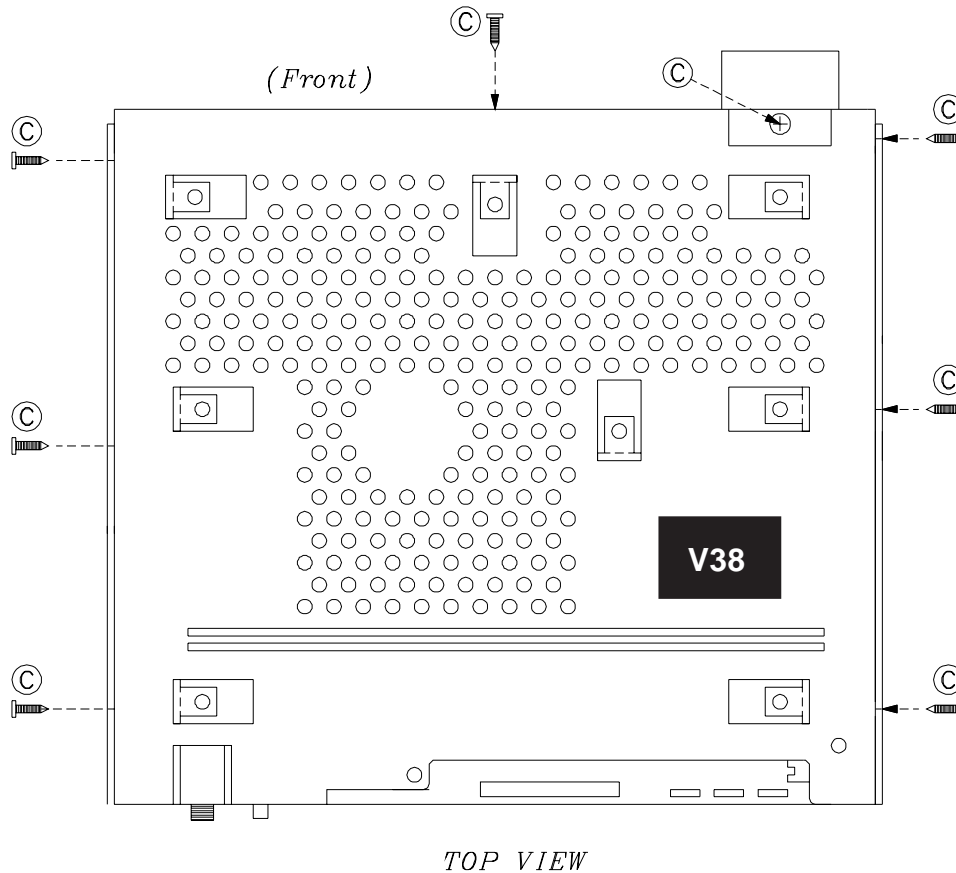
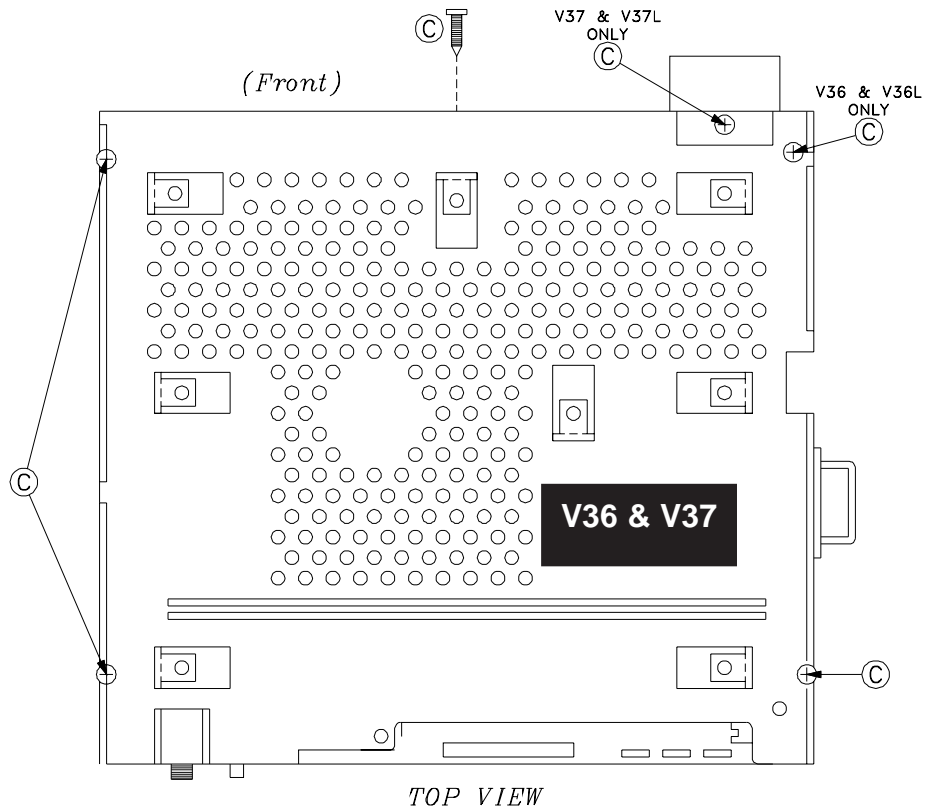
PWB-POWER Installation

- 1) Reverse the removal procedure to install a new PWB-POWER.
- 2) No data transfer is required.

Chassis Disassembly (continued)

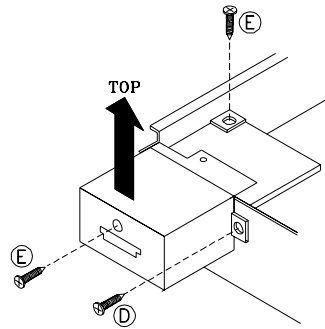
Chassis Cover Removal

- 1) Remove 5 screws (C),
6 screws On the V38.
- 2) Lift the Chassis Cover from
the chassis box.

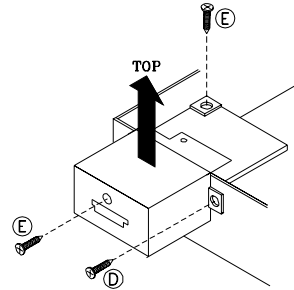
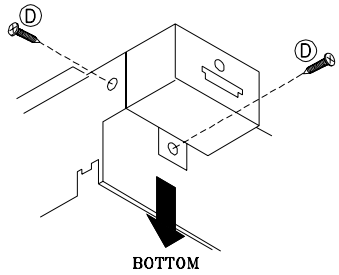


PWB-HDMI-FRONT Removal (V37 & V38 models only)

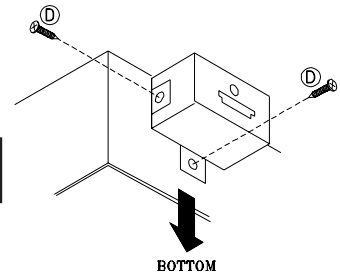
- 1) Disconnect all cables to PWB-HDMI-FRONT
- 2) Remove three screws (D).
- 3) Carefully lift the PWB-HDMI-FRONT from the chassis box.
- 4) To remove PWB-HDMI, remove two screws (E) and slide the PWB out the rear of the shield.



V37



V38

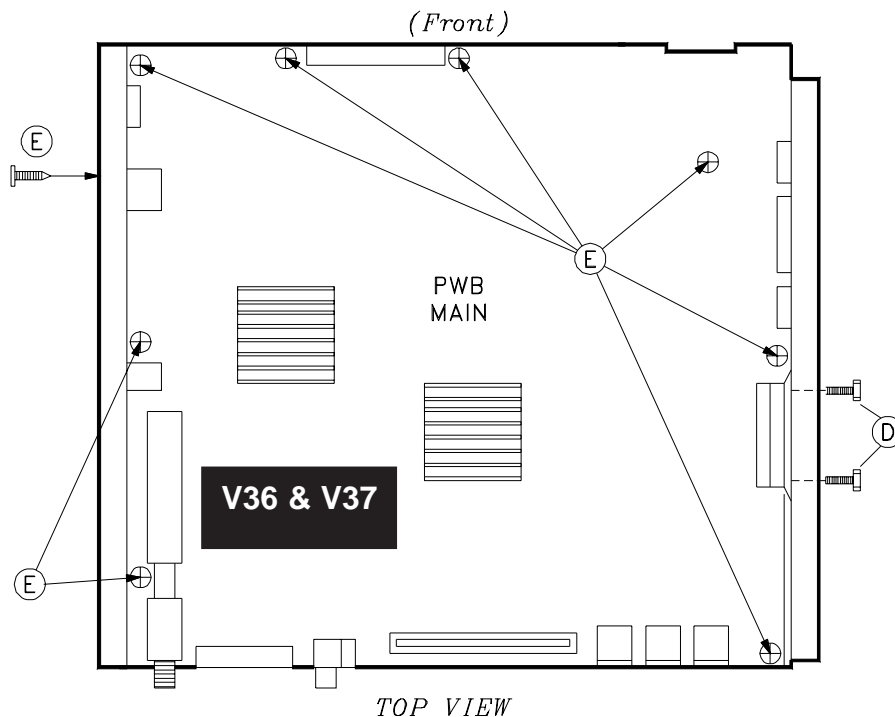


PWB-MAIN Removal

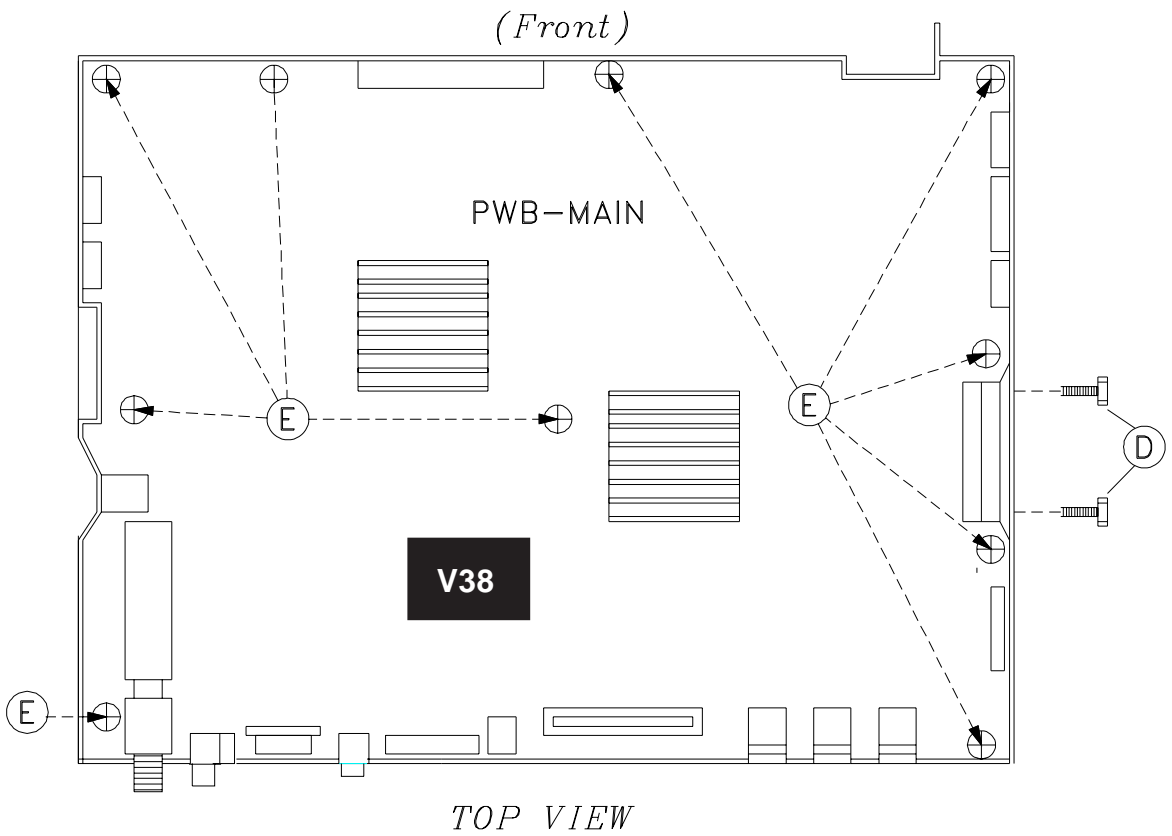
- 1) Disconnect all cables to PWB-MAIN
- 2) Remove two screws (D).
- 3) Remove nine screws (E), [seven screws (E) in the V38].
- 2) Carefully lift the PWB-MAIN from the chassis box.

PWB-MAIN Installation

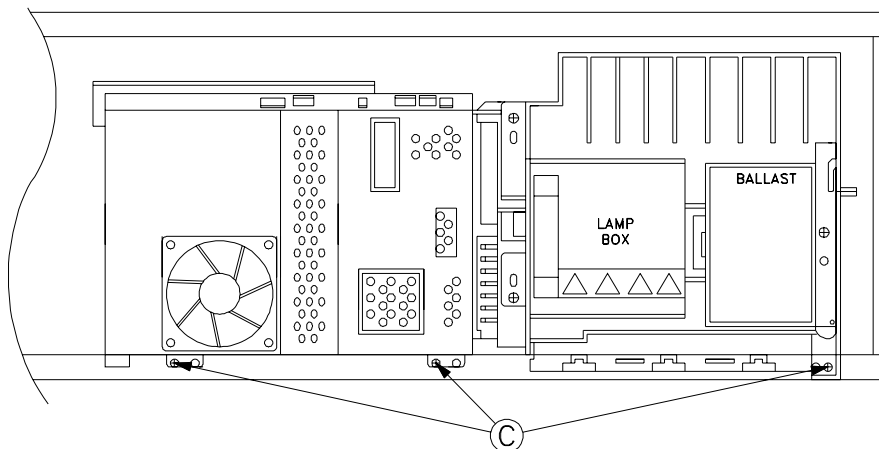
- 1) Install two screws (D) first
- 2) Then install screws (E).
- 3) After installation:
 - Restore Alignment and White Balance data.
 - Restore Keystone Geometry Alignment (Refer to page 33)



PWB-MAIN Removal (V38)

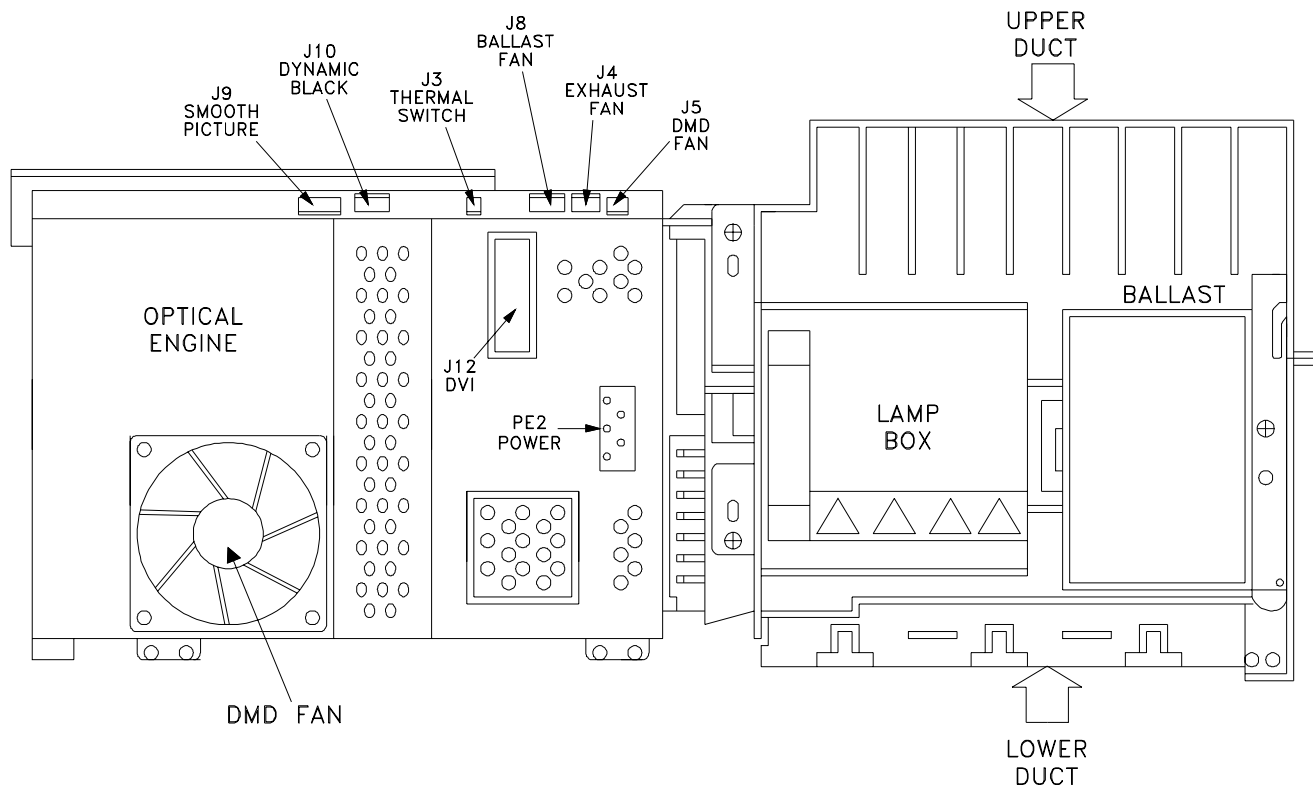


OPTICAL ENGINE REMOVAL



OPTICAL ENGINE ASSEMBLY REMOVAL

- 1) Remove 3 screws (C) from the Optical Engine.
- 2) Disconnect all cables to the Optical Engine Assembly.
- 3) Carefully slide the Optical Engine assembly from the cabinet.



OPTICAL ENGINE ASSEMBLY AND CONNECTOR LOCATIONS (Rear View)

OPTICAL ENGINE REMOVAL FROM SUB ASSEMBLY

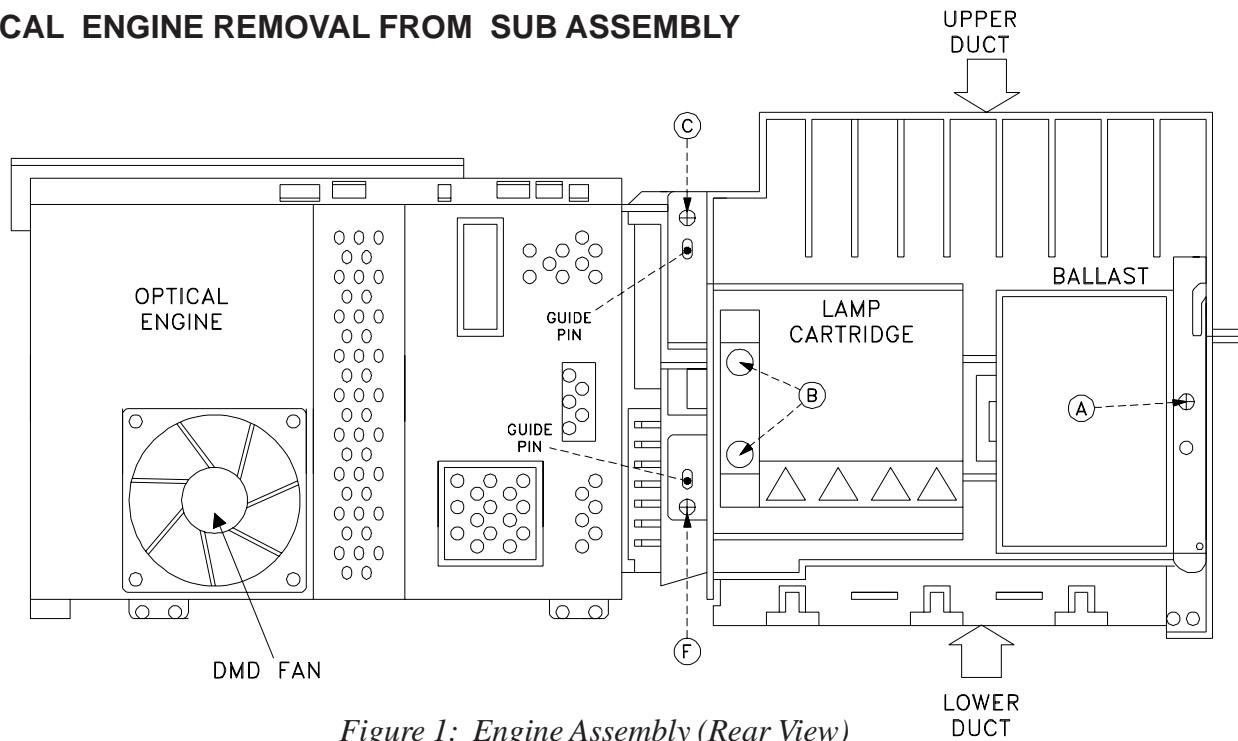


Figure 1: Engine Assembly (Rear View)

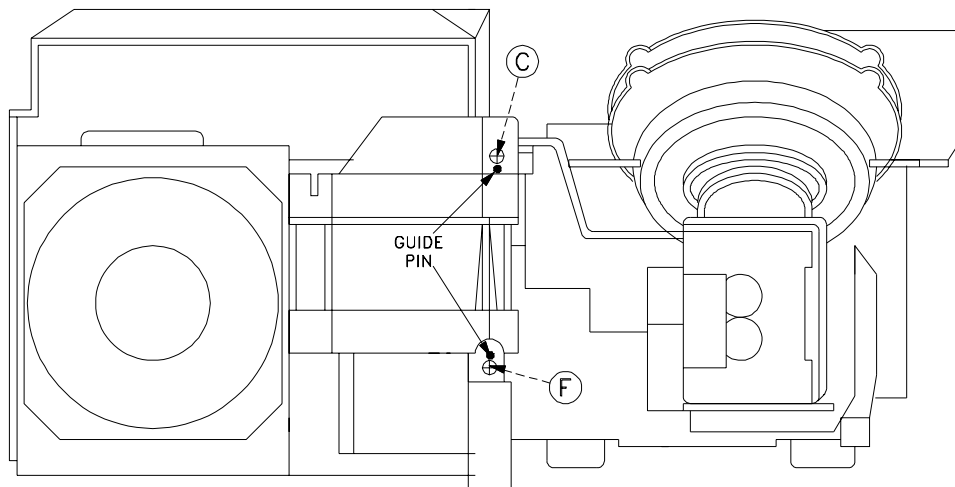


Figure 2: Engine Assembly (Front View)

SEPARATION PROCEDURE

- 1) Loosen 2 screws (B) and remove the Lamp Cartridge (Figure 1).
- 2) Remove screw (A) to remove the Ballast (refer to page 16).
- 3) Disconnect Ballast Fan and Lamp Fan from the back of the Engine (connectors J4 and J8) and loosen wiring harnesses from looms, refer to page 13 for connector locations.
- 4) Remove 2 screws (C) in the upper duct, one in the front and one in the rear, (Figures 1 & 2).
- 5) Remove 6 screws (D) from the upper duct (Figure 3).
- 6) Release the 2 latches (E) between the upper and lower ducts (Figure 3).
- 7) Carefully remove the upper duct.
- 8) Remove the Ballast Fan and Lamp Fan noting their positions for reassembly.
- 9) Remove the 2 bottom duct screws (F). (Figures 1 & 2)
- 10) Remove the Engine from the bottom duct.

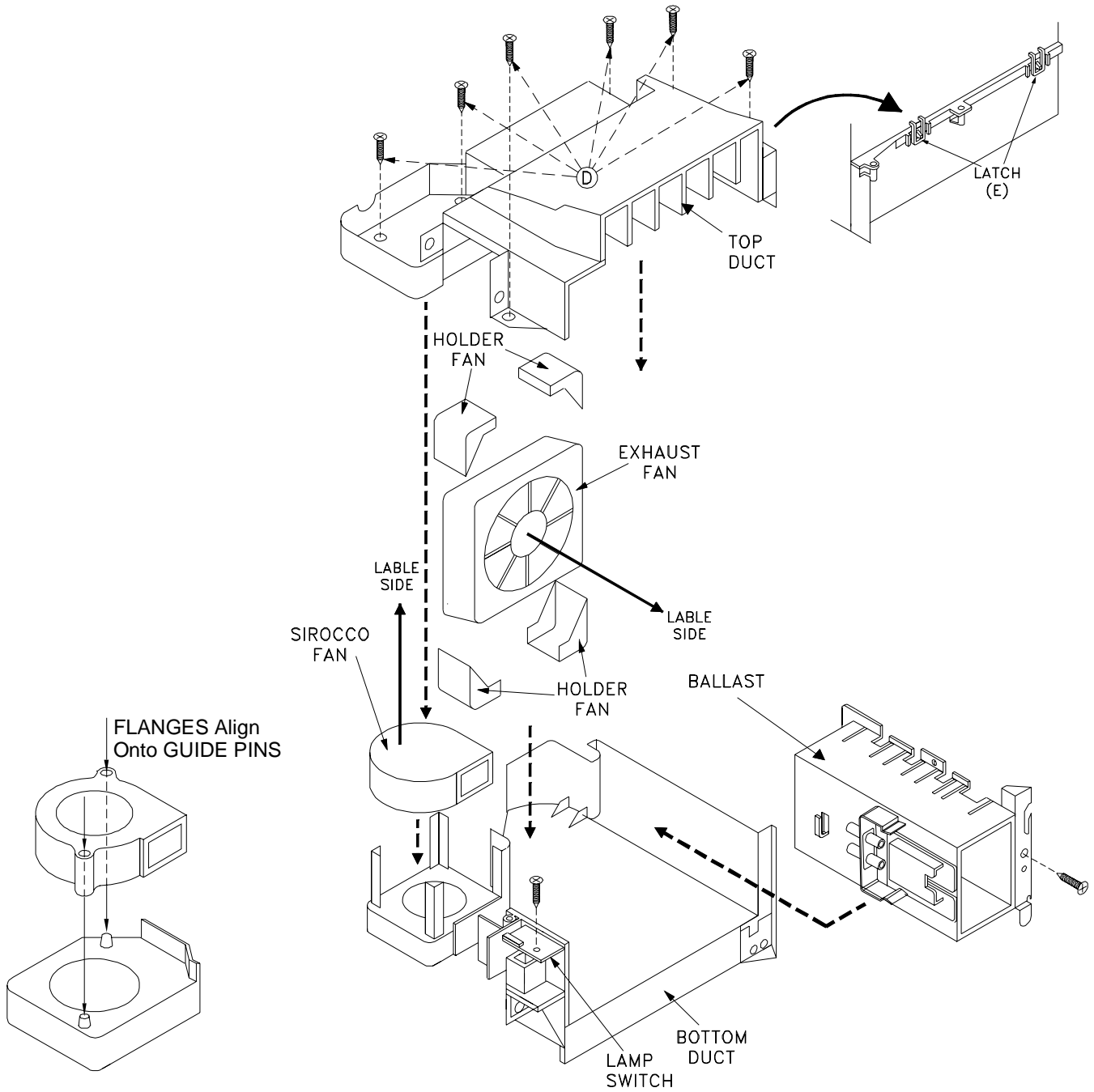


Figure 3: Optical Engine Sub Assembly (Exploded View)

NOTES:

- a. The Sirocco Fan must be installed with the Label facing up with the Flanges aligned onto the Guide Pins.
- b. The Exhaust fan must be installed with the Label facing towards the inside of the Duct.
- c. There are Four Exhaust Fan Holders, two on the top and two on the bottom.

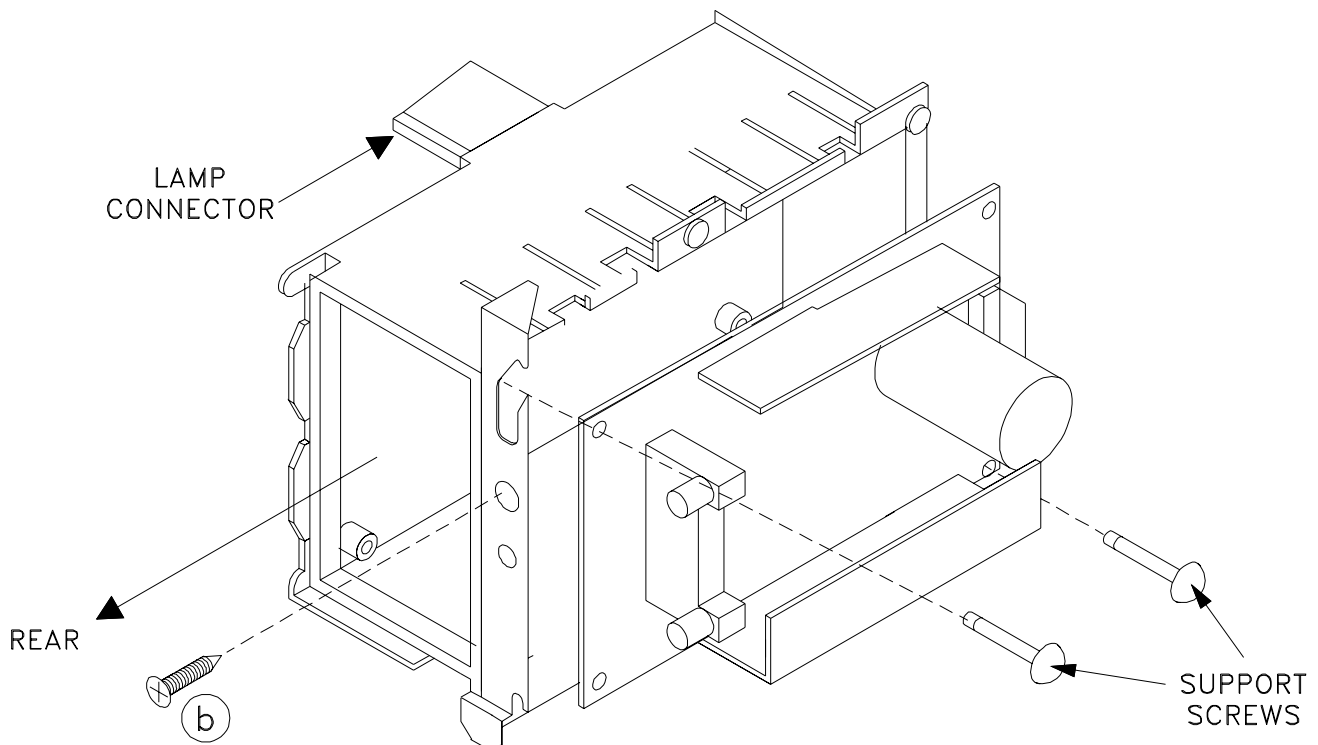
ENGINE REPLACEMENT

- 1) Reverse the removal procedure to install a new Engine.
- 2) After a new Engine is installed refer to page 34 and:
 - Load Index Delay Data from the Engine to the PWB-MAIN.
 - If needed - adjust Horizontal and Vertical Centering (page 31).
 - If needed - adjust Manual Keystone (page 32).

BALLAST ASSEMBLY REMOVAL

REMOVAL PROCEDURE

- 1) Remove the Lamp Cartridge
- 2) Remove screw (b) and the two support screws from the Ballast
- 3) Slide the Ballast Assembly out the rear of the Engine.
- 4) Disconnect connectors CJ1 and CJ3



SCREEN REMOVAL & REPLACEMENT

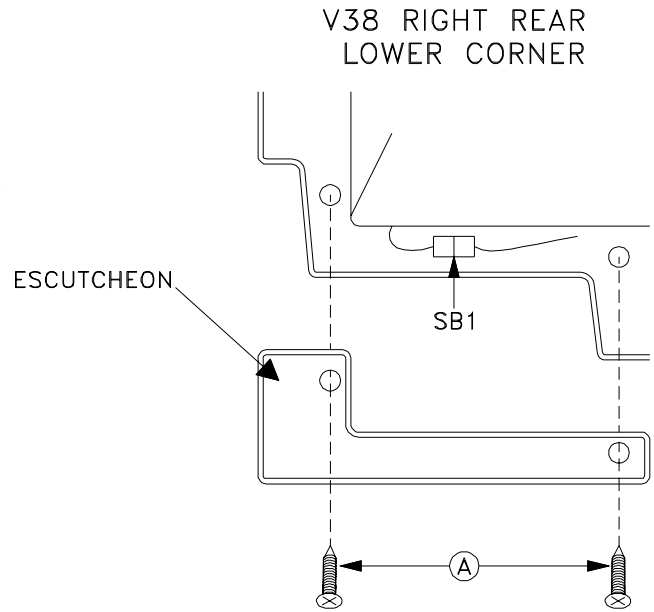
WD-57833, WD-65833 & WD-73833 Only

Escutcheon Removal

Before Removing the Screen Assembly

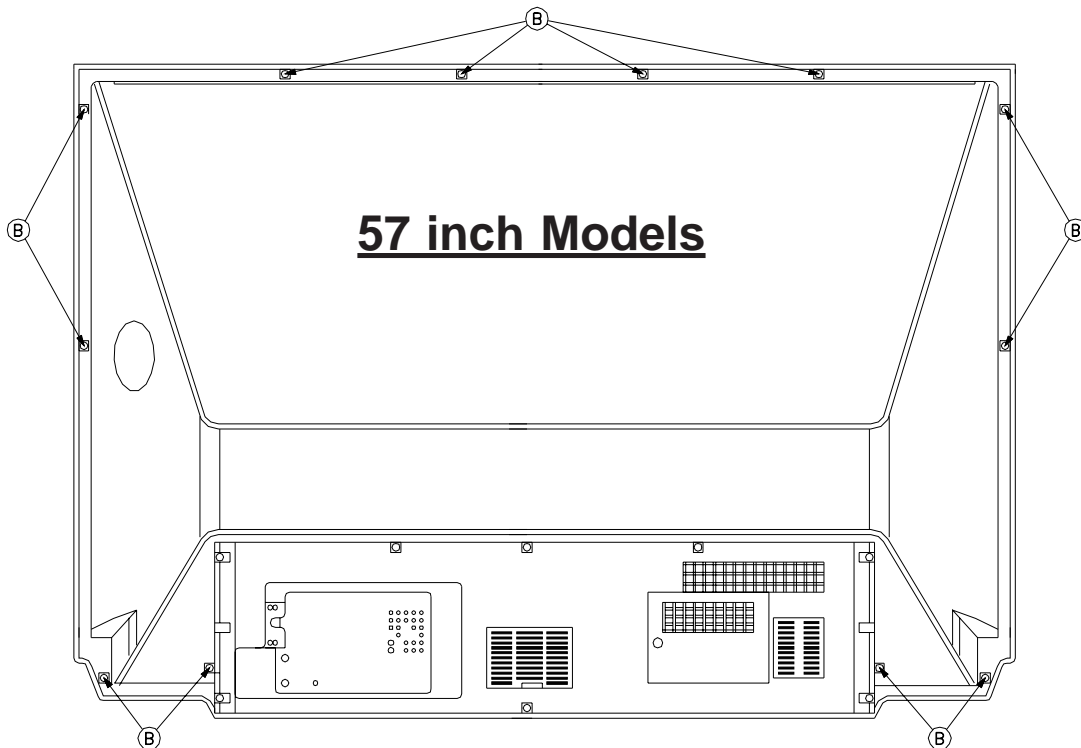
(V38 Models Only)

- 1) Remove 2 screws (A) at the lower rear corner on the right side.
- 2) Remove the small escutcheon cover to access the SB1 connector
- 3) Unplug the SB1 connector. This disconnects the PWB-SBL-R & PWB-SBL-L (mounted on the screen Bezel), from the chassis.

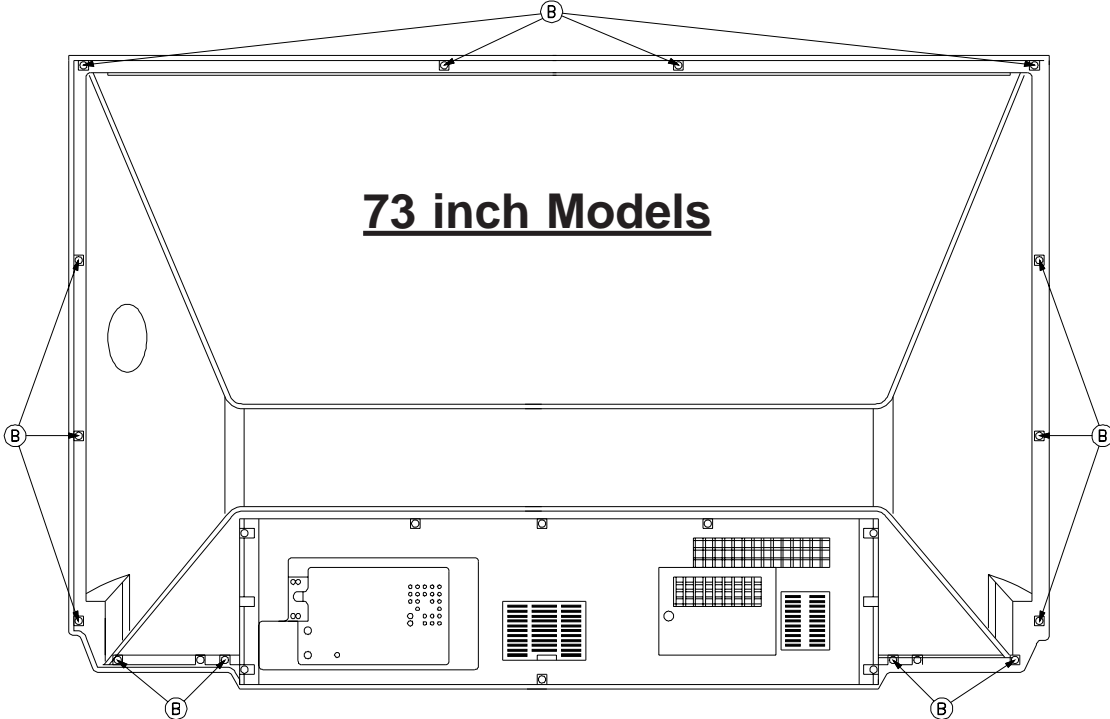
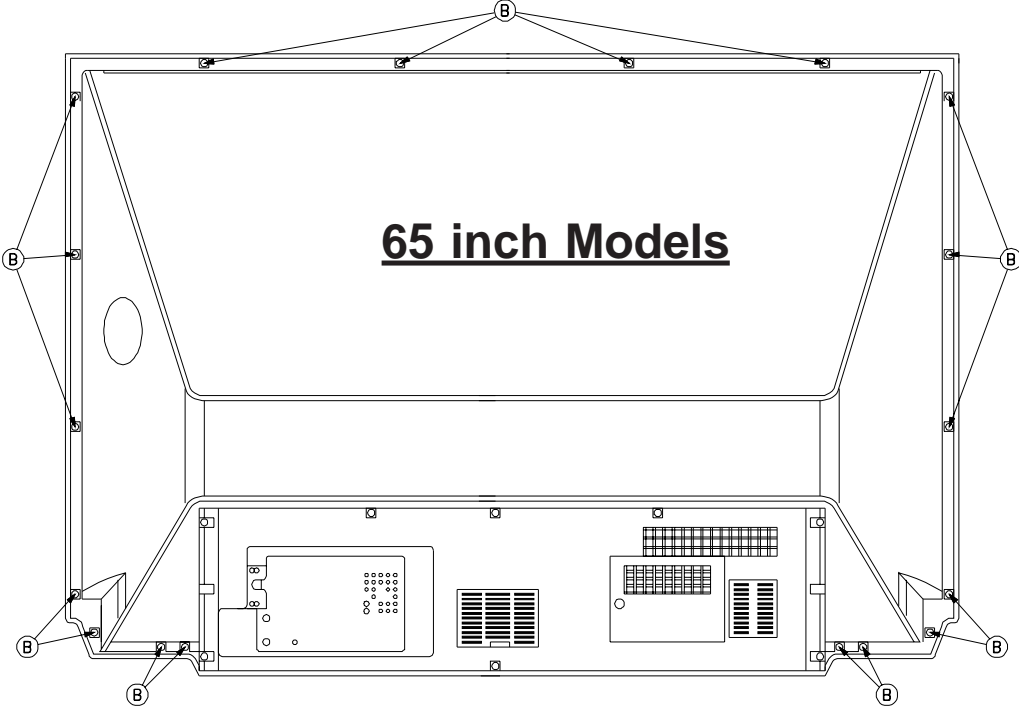


Screen Assembly (Bezel) Removal

- 1) Remove all rear screws (B) except one in an upper corner (To support the screen assembly while removing the front mounting screws).

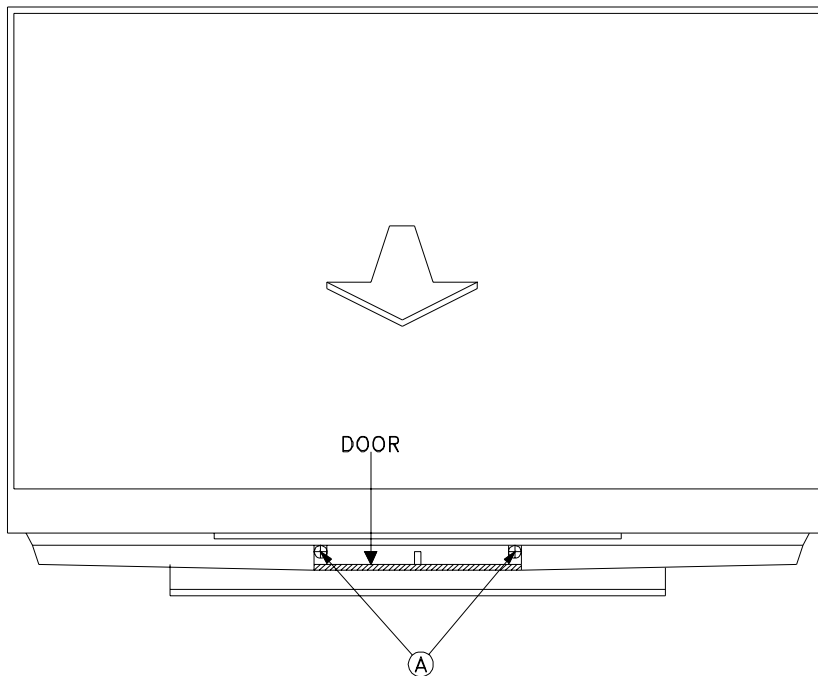


SCREEN REPLACEMENT (continued)



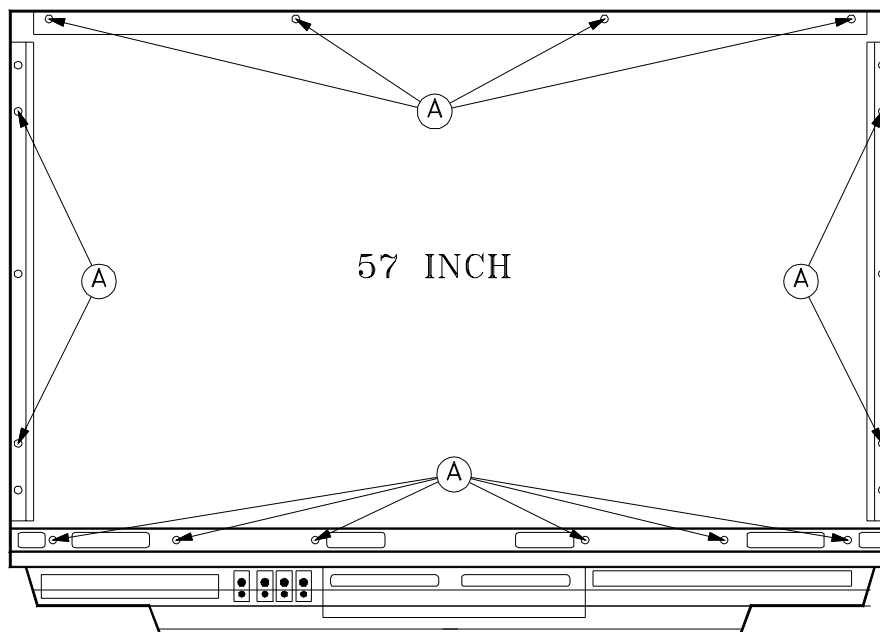
Screen Assembly Removal (continued)

- 2) Open the Control Panel door and remove two screws (A).
- 3) Remove the remaining rear screw in the upper corner and carefully pull the screen assembly from the cabinet.

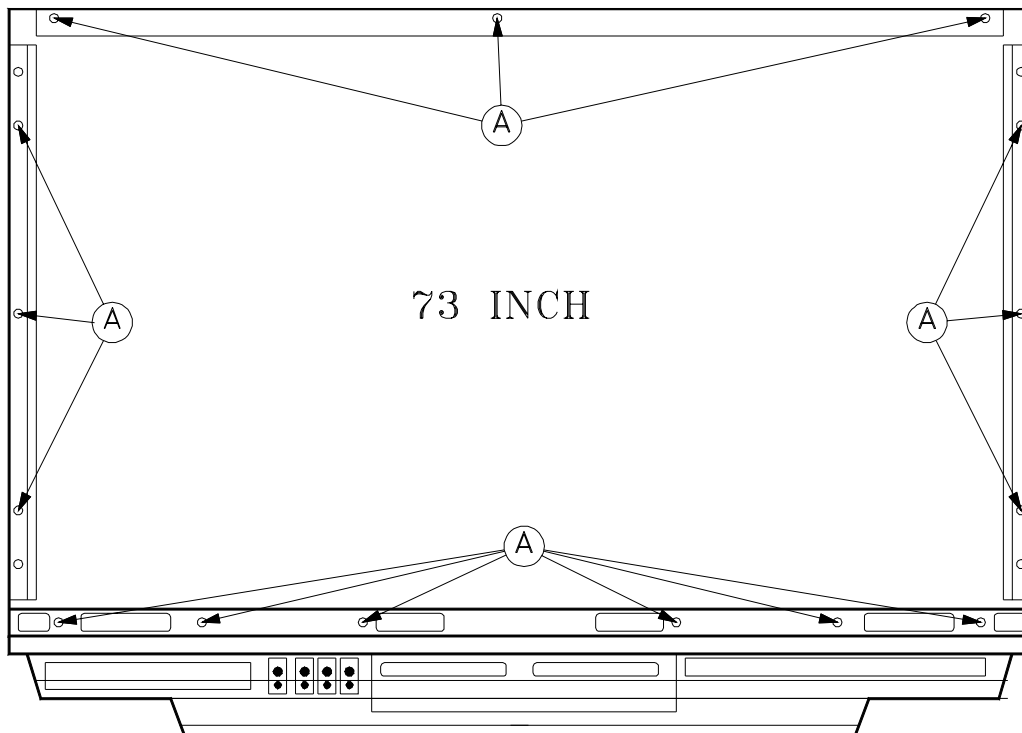
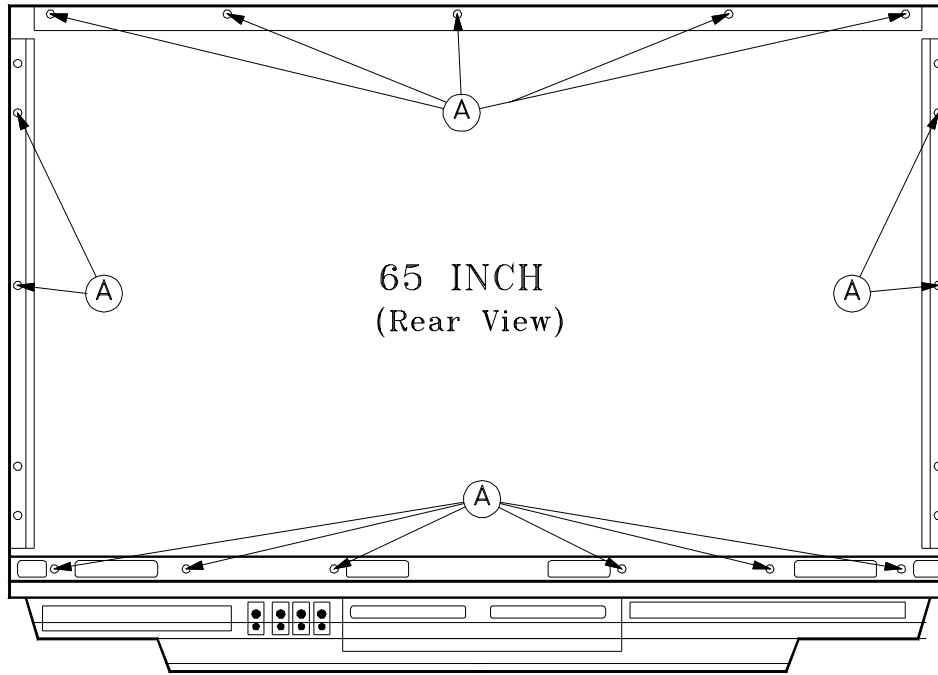


Screen Removal From the BEZEL-FRONT

- 1) Remove the screws (A) from the top, bottom and side rails.
- 2) Lift the Fresnel Lens and Lenticular screen from the BEZEL-FRONT.



Screen Removal From the BEZEL-FRONT (continued)



Screen Replacement

CAUTION: Wear gloves when handling the Lenticular Screen and Fresnel Lens.
This prevents cuts and finger prints. **Do not place Fresnel Lens in the sun.**
This may cause fire and heat related injuries.

Lenticular Screen and Fresnel Lens Removal

- 1) Remove the top, bottom and side HOLDER-SCREEN rails and their cushions from the Bezel.
- 2) Lift the screens as a single unit from the frame.
2. Separate the Lenticular Screen and Fresnel Lens.

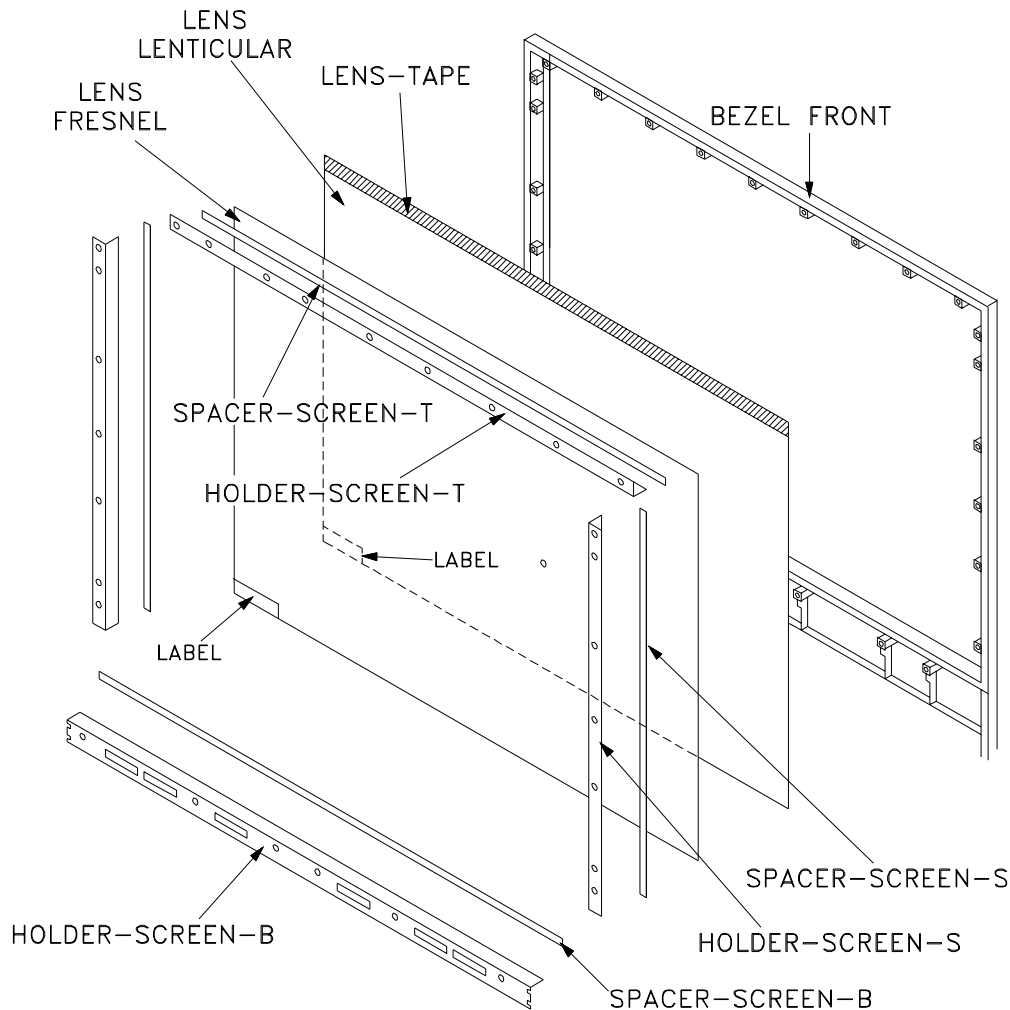
Note: When separating the Lenticular Screen from the Fresnel Lens, use caution while prying the Screen and Lens apart. Use a slot type screw driver, and remove the pressure sensitive double sided tape.

Lenticular Screen and Fresnel Lens Replacement

- 1) Apply LENS-TAPE along the rear top edge of the Lenticular Screen.
- 2) Place the Fresnel Lens on top of the Lenticular Screen, and apply pressure along the top edge.
- 3) Place the screens in the screen frame and reinstall the cushions, top, bottom and side rails.

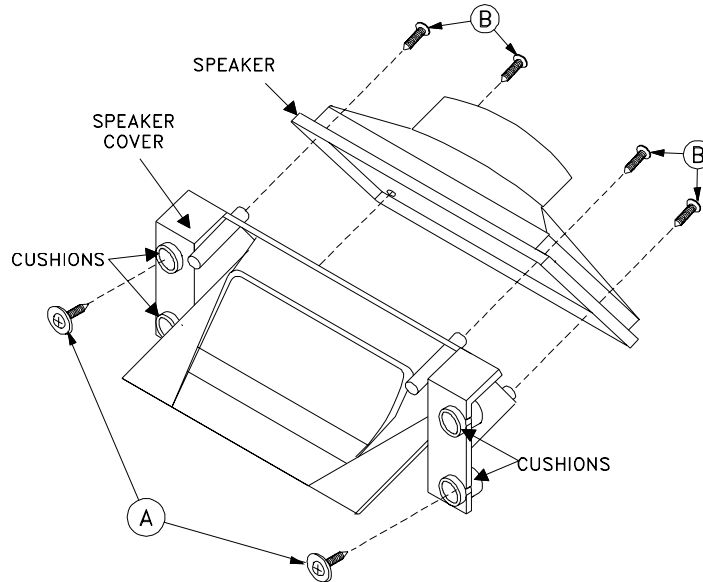
NOTE: The Lenticular Screen label must face the front and the Fresnel Lens label face the rear.

- 4) Reverse the Screen Removal Procedure and insert the screens in the Bezel.



Speaker Replacement

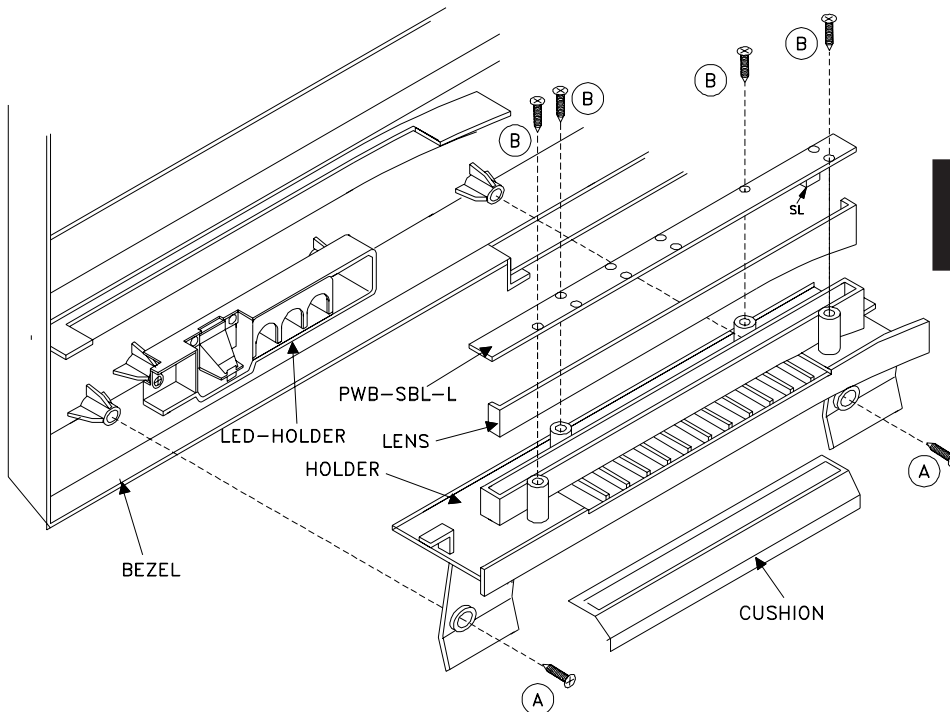
- 1) Remove the Bezel screen assembly to access the speakers.
- 2) Remove 2 screws (A) and carefully slide the Speaker Assembly from the cabinet.
- 3) Disconnect the leads to the speaker.
- 4) Remove 4 screws (B) to remove the speaker from the speaker cover.
- 5) Reverse the procedure to install a replacement speaker.



SPEAKER ASSEMBLY

WD-57833, WD-65833 & WD-73833 (Only) PWB-SBL-R & PWB-SBL-L Replacement

- 1) The screen Bezel Assembly must be removed to access the PWBs-SBL (refer to the V38 Bezel Removal Procedure).
- 2) Remove 2 screws (A) to remove the PWB-SBL assembly from the Bezel.
- 3) Remove 4 screws (B) to remove the PWB from the assembly.
- 4) Reverse the procedure to install a replacement PWB-SBL.



V38 SBL ASSEMBLY

OPTION MENU

1. Press the "MENU" button on the remote hand unit.
2. Press the buttons "2", "4", "7" and "0" in order.
(The screen will change to the option menu.)

MENU-2-4-7-0

```

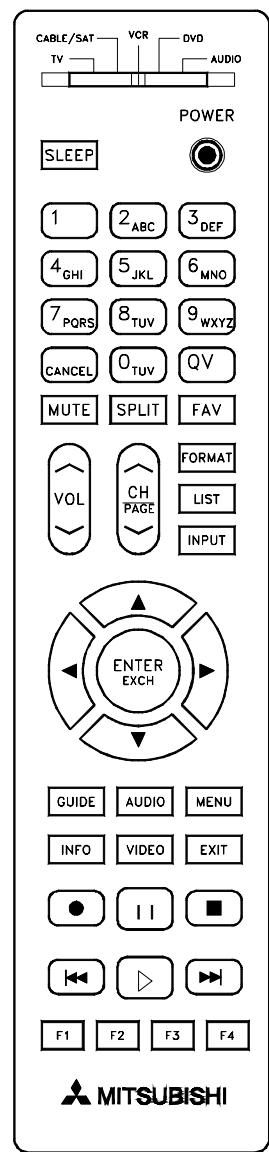
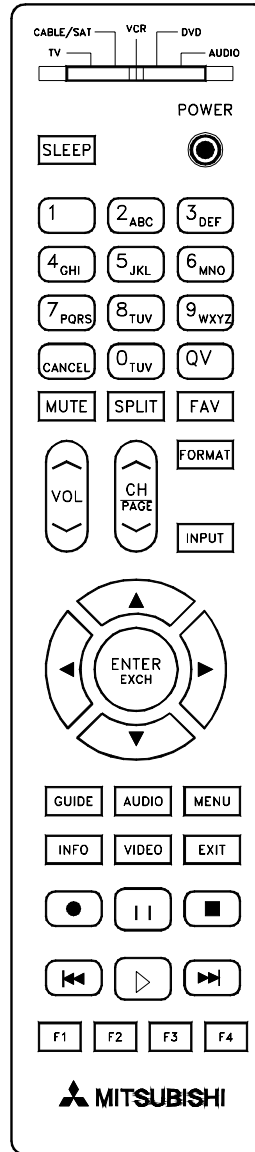
OPTION MENU
Initialize
Power Restore           :OFF
Production Mode         :OFF
NetCommand Software    ##
Digital Signal Strength ##
    
```

XXXXXX

Total On Time

V36/V37 REMOTE

V38 REMOTE



Digital Signal Strength

1. Tune to a Digital Channel
2. From the Option menu scroll down and highlight Digital Signal Strength
3. Press Enter

Example of Digital Signal Strength Display

	Tuner 0	Tuner 1	OOB Tuner
Frequency (MHz):	597	0	75.2
Signal Level:	8	0	0
Modulation:	256 QAM	Unknown	
Carrier Lock:	Locked	Unknown	Locked
SQI	100	0	
SNR	34.3	0	23.77
Correctable errors:	0	0	
UnCorrectable errors:	0	0	

Signal Quality Index (0-100)

SNR Recommended Levels:
 VSB = 15 to 35
 64 QAM = 22 to 34
 256 QAM = 27 to 37

Signal Noise Ratio

Reset / Initialization

SERVICE TIP:

Many customer generated symptoms, intermittent symptoms or no symptom found can be resolved by using the various Reset and Initialization options. Before visiting the customer's home ask the customer 1st to try the **System Reset** button on the control panel and if this does not resolve the issue, then they can perform an **A/V Reset** by pressing the **Guide + Format** buttons on the front panel at the same time. Then, if necessary, perform a user level **Initialization** by pressing **MENU-123-ENTER** with the remote. The customer should be made aware when settings and/or options will be reset. For more information, see the chart below.

NOTE: During Initialization, the set will reboot. Wait until the Power LED stops flashing before unplugging or powering ON the TV.

RESET / INITIALIZATION GUIDE

Reset Name	When to use	How to use	Resulting Action
Remote Control TV Layer Reset	Returns the remote control TV layer to normal operation.	(1) Set the slide switch to TV position. (2) Press and hold the POWER button until it flashes twice then release the button. (3) Enter the code 0 0 9 3 5 .	Once the valid code has been entered and confirmed, the remote control has been reset.
Remote Control TV Volume/Mute functions	Returns the volume and mute functions of the remote control to TV volume and mute for TV, Cable/Sat, VCR and DVD layers after the Audio Lock for AV Receiver feature has been used.	(1) Set the slide switch to TV position. (2) Press and hold the POWER button until it flashes twice then release the button. (3) Enter the code 9 9 3 VOL UP .	The remote will now operate the TV's volume and mute when the slide switch is in the TV, CABLE/SAT, VCR or DVD positions.
A/V Memory Reset, by individual input	When the audio and or video settings for a single input seems to incorrect	MENU --> Audio/Video--> AV Reset	All Audio and Video settings for the individual input are reset except for the <i>Listen To, Language, Balance</i> and <i>Closed Caption</i> settings.
A/V Reset, all inputs	To reset audio and video adjustments for all inputs to the original factory settings.	While viewing the TV, press the front panel buttons GUIDE + FORMAT at the same time.	All Audio and Video settings are reset to the factory default settings. No other menu options are changed.
System Reset	To reset the TV when it does not turn on or off, does not respond to the remote control, front panel buttons or has other unusual symptoms.	Press the SYSTEM RESET button on the front panel with a pointed object such as a pencil or paperclip.	TV Micro Re-boots. Note: The changes made during the current TV-On period may be lost. All other previous user settings will not be lost.
Initialize User Level	To reset all customer settings except V-Chip	Press MENU - 123 - ENTER	All customer menu options and A/V settings except V-Chip are reset to factory default.
Initialize - Service Level	To reset all customer settings	MENU - 2470 . Highlight INITIALIZE and press ENTER	All customer menu options and A/V settings are reset to factory default.
V-Chip Password Bypass	If V-Chip password is not known	Press QV + 9 at the same time.	Password will be bypassed. If in the V-Chip menu, enter a new password.
Unlock Front Panel	To unlock the front panel if it has been locked in the V-Chip Menu.	Press and hold the front panel MENU button for 8 seconds.	Front Panel becomes operational. Other V-Chip settings not changed. Note: Cannot be performed while in the Low Power mode and the set is Off.

INITIAL SETTINGS

Record (V38 Only)		Captions Menu (continued)	
<u>Record</u>		Color	White
Channel	--	Background	Black
Record to	--	Opacity	Translucent
Duration	(1hr.)	Background Opacity	Translucent
Start Time	(12:00pm)	Setup Menu	
Day	(Sunday)	Language (Idioma)	English
ADD	--	Scan	
Record List	(1Empty)	Ant1 Air	--
Cancel	Grey out	Ant1 Cable	--
Setup	--	Ant2 Air	--
Analog Recordings	(anamorphic)	Ant2 Cable	--
Version Mode (Only V38)	V38 XXXX.XX	Start	
Audio/Video		Edit	
<u>Settings</u>		Channel in Memory	2, Added
<u>Video</u>		Name	--
Picture Mode	Brilliant	FAV1 ~ FAV6	unchecked
Brilliant Contrast	100%	Lock	
Brilliant Brightness	50%	Clock	
Color	50%	Settings	Manual
Tint	50%	Time	12:00PM
Sharpness	50%	Date	1/01/2007
Brilliant Color Temp.	High	Time Zone	Easten
Deep Field Imager (V37/V38)	On	Daylight Savings	Applies
<u>Audio</u>		Timer	Gray out
Speakers	(A/V Receiver)	Timer	Off
Bass	50%	Day	Daily
Trebel	50%	Time	12:00PM
Balance	50%	Device	ANT-1
Suround	Off	Channel	2
Listen To (Analog only)	Stereo	Energy Mode	High Power Quick On
Language (Digital only)	English	Version mode	V36 XXX.XX
Level Sound	On	(Only V36/36L/37/37L)	
Reset (For current source only)	--	Inputs Menu	
<u>PerfectColor</u>		Name	
PerfectColor	On	Ant-1	On
PerfectTint (Only V37, V38)	On	Ant-2	On
<u>Global</u>		Input-1	Gray out
Video Mute	On	Input-2	Gray out
Film Mode	Auto	Input-3 (Front)	Gray out
Video Noise (Off-Low-Mid-High)	Medium	Comp-1	Gray out
SharpEdge (V37/V38)	On	Comp-2	Gray out
Captions Menu		Comp-3 (Front) (N/A V36L)	Gray out
<u>Closed Captions</u>		HDMI-1	Gray out
Analog Captions	On if Mute	HDMI-2	Gray out
Background	Gray	HDMI-3	Gray out
Digital Captions	On if Mute	HDMI-4 (Front)	Gray out
Appearance	Default	(Only V37, 37L, 38)	
<u>Digital</u>		Learn (Only V37, 37L, 38)	
Font	Font 3	A/V Receiver	(Grayout for Ant, 1394)
Size	Large	(Only V37, 37L, 38)	Gray until auto sensing

INITIAL SETTINGS (continued)

Inputs Menu (continued)		Inputs Menu (parental lock) (continued)	
Learn		Other Ratings	Gray out until available
Learn/Name	--	Other ratings	Off
Assign Input 1	Gray out	Rating group	TBD
Assign Input 2	Gray out	Rating	TBD
Assign Input 3	Gray out	Time	
Assign Input 4	Gray out	Lock by Time	Off
Guide		Lock Time	12:00PM
Guide	Off	Unlock Time	12:00PM
Devices	Cable box	Front Panel	
Zip Code	00000	Front Button Lock	Off
Order	--	TV Volume	30%
Inputs Menu (parental lock)		DW Source (Only V38)	ANT-1 002
U.S. Ratings		DW Position (Only V38)	Right half
Lock	Off	PIP/POP Format (Only V38)	Double Window Only
TV Rating	TV-PG	Format	
FV-Fantasy Violence	unchecked	Ant1, 2 (480i)	Stretch
D-Sexual Dialog	unchecked	Ant1, 2 (HD Digital)	Standard
L-Adult Language	unchecked	Input-1, 2, 3	Standard
S-Sexual Situations	unchecked	Comp-1, 2, 3	Standard
V-Violence	unchecked	HDMI-1, 2, 3, 4 (Video or PC)	Standard
Movie Rating	PG	1394 Devices (Only V38)	Standard
Start Time	12:00PM	USB Photo	Standard
Stop Time	12:00PM		

INITIAL A/V SETTINGS

A/V Memory	Ant	INPUT	COMP	1394 (V38 Only)	HDMI (Video)	HDMI (PC)	USB (JPEG)
Picture Mode	Brilliant	Brilliant	Brilliant	Brilliant	Brilliant	Brilliant	Brilliant
Brilliant Contrast	MAX	MAX	MAX	MAX	MAX	MAX	MAX
Brilliant Brightness	Center	Center	Center	Center	Center	Center	Center
Color	Center	Center	Center	Center	Center	Center	Center
Tint	Center	Center	Center	Center	Center	Center	Center
Sharpness	Center	Center	Center	Center	Center	Center	Center
Color Temp.	High	High	High	High	High	High	High
PerfectColor	Center	Center	Center	Center	Center	Center	Center
PerfectTint (V37-V38)	Center	Center	Center	Center	Center	Center	Center
Video Noise	Medium	Medium	Medium	Medium	Medium	Medium	Medium
Film Mode	Auto	Auto	Auto	Auto	Auto	n/a	n/a
SharpEdge (V37-V38)	On	On	On	On	On	On	On
Bass	Center	Center	Center	Center	Center	Center	n/a
Treble	Center	Center	Center	Center	Center	Center	n/a
Balance	Center	Center	Center	Center	Center	Center	n/a
Surround	Off	Off	Off	Off	Off	Off	n/a
Listen To	Stereo	n/a	n/a	n/a	n/a	n/a	n/a
Level Sound	On	On	On	On	On	On	n/a
Language (Digital Only)	English	n/a	n/a	English	n/a	n/a	n/a
Vertical Position	n/a	n/a	n/a	n/a	n/a	Center	n/a
Horizontal Position	n/a	n/a	n/a	n/a	n/a	Center	n/a
Fine Detail	n/a	n/a	n/a	n/a	n/a	Center	n/a

A. A/V Memory

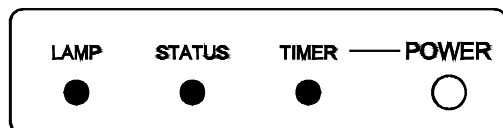
Each of the external inputs has its own Audio/Video Memory. A change in an A/V setting at a specific input is stored in memory for that specific input.

B. A/V Reset

1. Pressing the front panel "GUIDE" and "FORMAT" buttons at the same time initializes all A/V Memories.
2. The AV Reset in the user's menu initializes only the selected input's A/V Memory.

LED Indicator Diagnostics

The front panel LEDs provide an indication of the set's operation, and the possible cause of a malfunction. There are three front panel LEDs, "Power", "Status" and "Lamp". The LED display shows the current status or indicates a possible malfunction.



NORMAL LED INDICATIONS

Power/Timer LED	Status LED	Lamp LED	Condition
Off	Off	Off	Off (Standby)
Green Fast Blink	Off	Off	Initialization (10 - 65 seconds) (AC Off)
Off	Off	Green Fast Blink	Lamp cooling (1 minute after PTV Off) (Fan is still working)
Green	Off	Off	Power On
Blinking Green	Off	Off	Power On Timer is set

ABNORMAL LED INDICATIONS

Power/Timer LED	Status LED	Lamp LED	Condition
Off	Yellow	Off	Temperature high - room too hot. Temperature sensor is disconnected
Off	Off	Blinking Yellow	Lamp cover open.
Off	Off	Red*	Lamp Failure - Lamp failed to turn On. Lamp is broken Lamp turns Off during P-ON
Off	Blinking Red	Off	Fan Stopped
Off	Red	Off	Circuit failure (short) Disconnected DVI cable, chassis to engine No LAMP-EN signal from Engine to turn the lamp On. Ballast UART communication problem.

* A red Lamp LED only occurs after 3 attempts to light the lamp.

Each attempt (pressing POWER) must be at least 65 seconds apart. .

During each attempt ballast striking may be audible.

3. Error Code Operational Check

Note: The TV must be in "Shut Down" and not have been switched Off, to perform the Error Code Operational Check. When the TV is switched Off, the code automatically resets to "12" No Error.

Pressing the front panel "INPUT" and "MENU" buttons at the same time, and holding for 5 seconds, activates the Error Code Mode. The "TIMER LED" flashes denoting a two digit Error Code, or indicating no problem has occurred since the last Initialization.

Note: The front panel buttons must be used, NOT those on the Remote Control.

- The number of flashes indicates the value of the MSD (tens digit) of the Error Code.
- The flashing then pauses for approximately 1/2 second.
- The LED then flashes indicating the value of the LSD (ones digit) of the Error Code.
- The Error Code is repeated a total of 5 times.

Example: If the Error Code is "23", the LED will flash two times, pause, and then flash three times.

4. Error Codes

The Error Code designations indicating malfunction, or no malfunction, are listed below:

ERROR CODES

Code	Description	Most Likely Cause
12	No Error found	
17	Communication loss, TV Micro - Engine (3.3V-ENG-SDA & SCL)	Engine Failure
18	Engine will not accept data (ASIC-READY signal from Engine is not detected).	Loose PE or PE2 connector (no 12V from PWB-POWER; Engine Failure)
32	Lamp cover is open.	Lamp Cover Switch
34 ⁽¹⁾	Lamp turns Off while the TV is playing. (Lamp failure) (Lamp Enable signal from engine is lost)	Lamp Cartridge
36	Exhaust Fan failed.	Loose J4 connector
37	Engine (DMD) fan failed.	Loose J5 connector
38	Lamp temperature abnormally high.	Poor Air Circulation
39	DMD temperature abnormally high.	Poor Air Circulation
41	Standby Supply Short is detected. (IC7A01 pin 89).	PWB-MAIN Failure
42	Sirocco fan failed (Lamp/Ballast fan).	Loose J8 connector
44	Check for disconnected DVI cable between PWB-DM and Engine. (Engine pulls DVI pin 14 Low)	DVI Cable unplugged
48	3.3V supply short (IC7A01 pin 124).	PWB-MAIN Failure
57 ⁽²⁾	Ballast communication problem (ballast to chassis)	Loose FB, CJ3, CJ1, PL or JE connector; Ballast Failure
61 ⁽³⁾	No LAMP-EN output from the engine to the ballast	Engine Failure
66 ⁽⁴⁾	Lamp did not turn on at P-ON sequence (No Lamp inserted) (Disconnected cable between ballast and lamp) (Lamp-Enable goes to DM but not to Ballast)	Loose J4 connector Lamp Cartridge or poor connection to lamp.

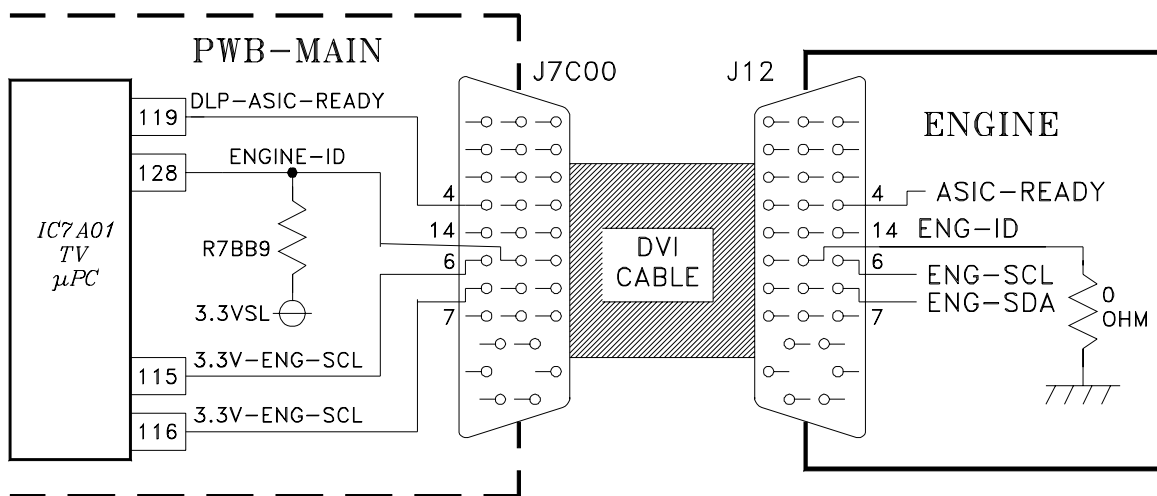
Code 34⁽¹⁾ - Lamp Enable is generated to activate the Lamp

Code 57⁽²⁾ - Lamp Enable is generated during P-ON sequence, but no Lamplit signal is received from the Ballast.

Code 61⁽³⁾ - No Lamp Enable is received at the DM and Ballast.

Code 66⁽⁴⁾ - Lamp enable is received at the DM but not at the Ballast.

DVI Connector Related Error Codes



ERROR CODE:

17 - Communication failure between engine and TV Micro (pins 6 & 7)

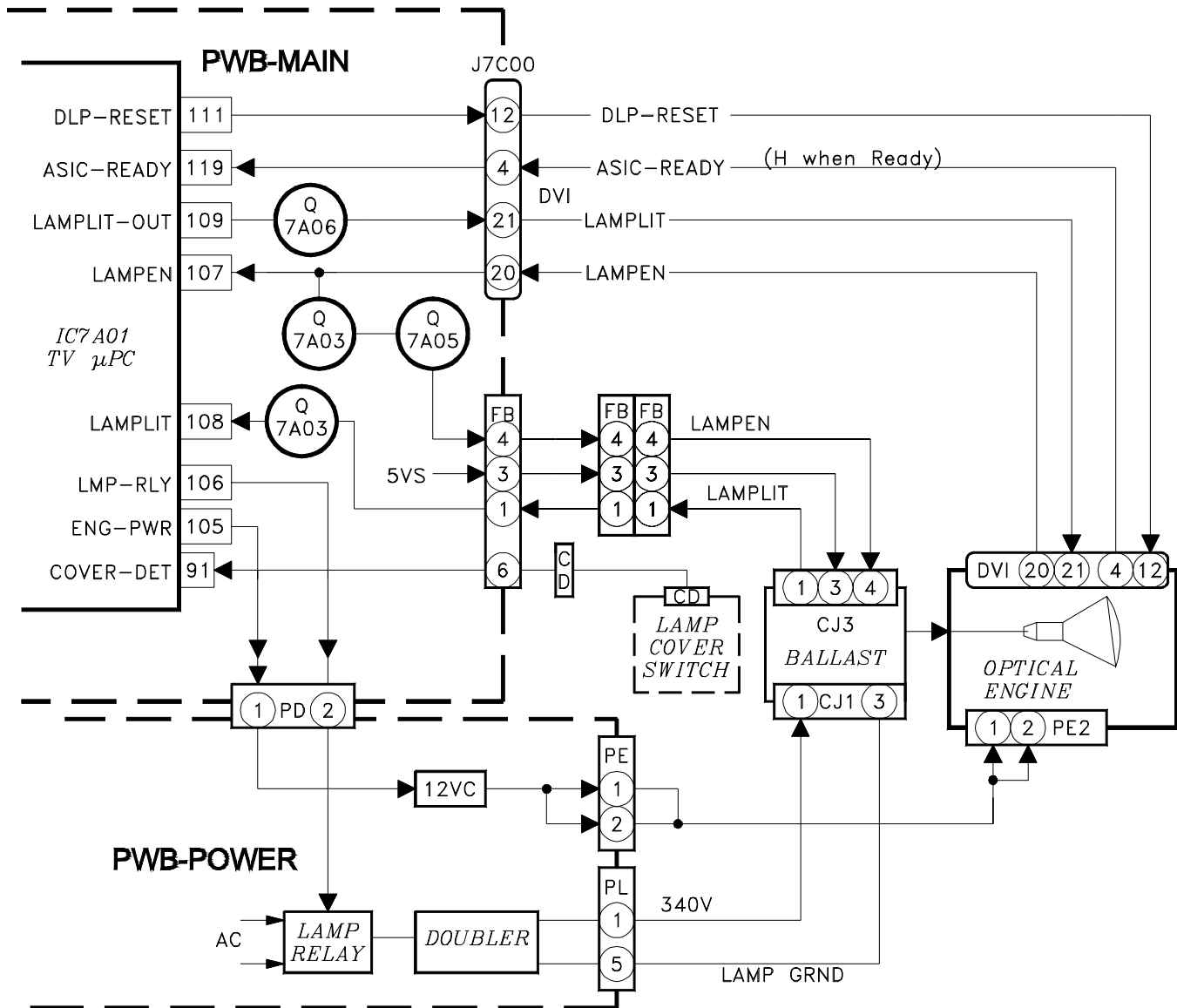
18 - TV Micro does not receive ASIC READY command from the Engine

44 - DVI cable is disconnected, pin 14 is High from pull up resistor.

Lamp Troubleshooting

Use the above Error Code Table, the Lamp Control Block diagram, and the Troubleshooting flow chart on the following pages to determine if a lamp problem is due to the Lamp, Ballast, Power Supply or Light Engine.

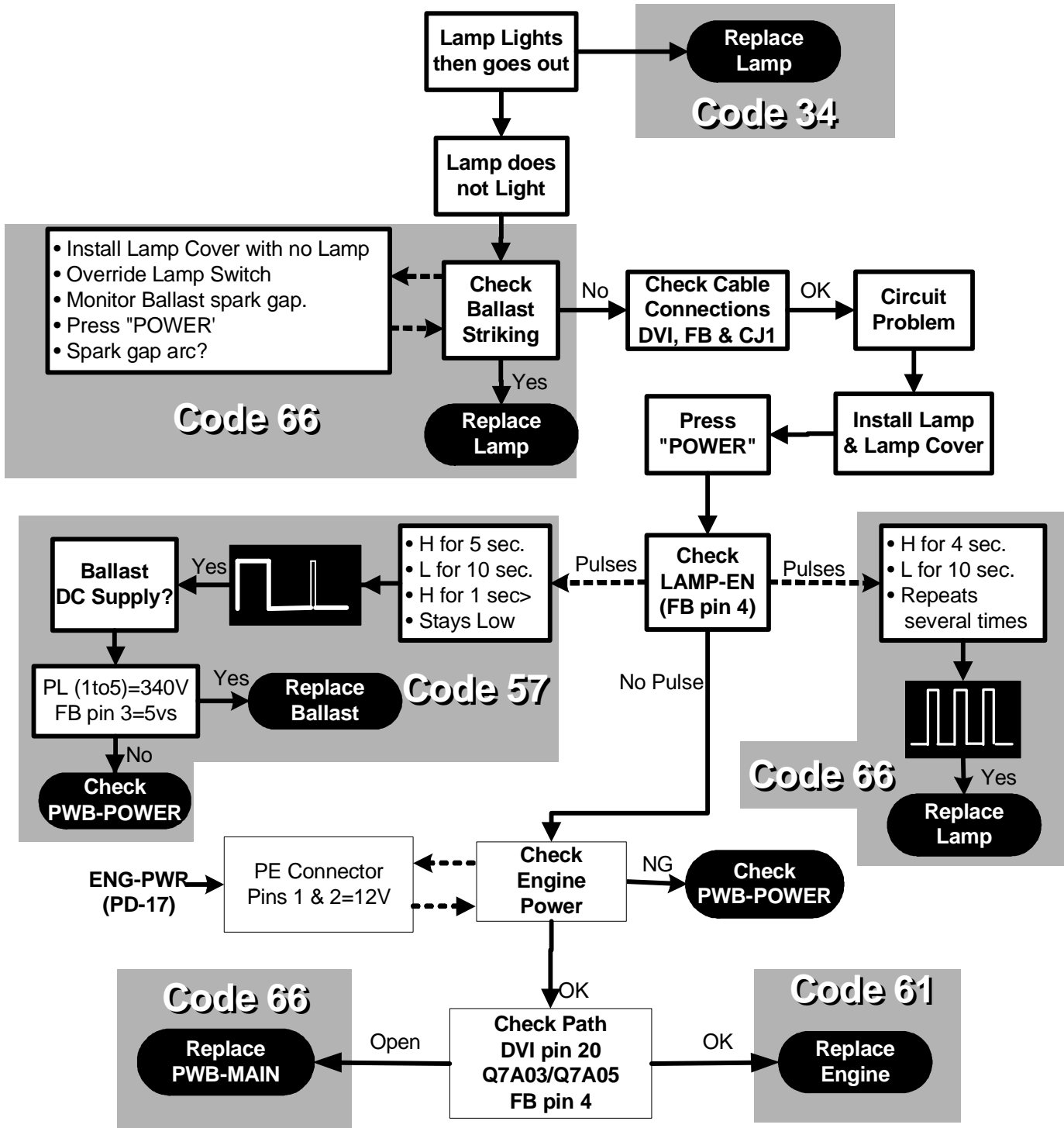
V36 / V37 / V38 Lamp Control Block Diagram



NOTE: To operate the TV with the back cover removed, install the Lamp Cover to activate the Lamp Switch.

The Flow Chart on the following page helps to determine the cause of a Lamp problem

Lamp Troubleshooting Flow Chart



SERVICE ADJUSTMENTS

There are 3 Service Adjustments required in these models:

Electrical Adjustments (there are no mechanical adjustments)

- Horizontal Centering
- Vertical Centering
- 16 Point Geometric Distortion

Measuring equipment and Jigs

- No additional Test Equipment is required.
- Remote Control

Test Signal

An internally generated Test Signal is used. No additional external signals are required.

Circuit Adjustment Mode

On these models, the Circuit Adjustment Mode is used for:

- Test Signal activation
- Horizontal and Vertical Centering
- Auto-alignment of edge geometry
- The following adjustments may only be performed using the remote control.

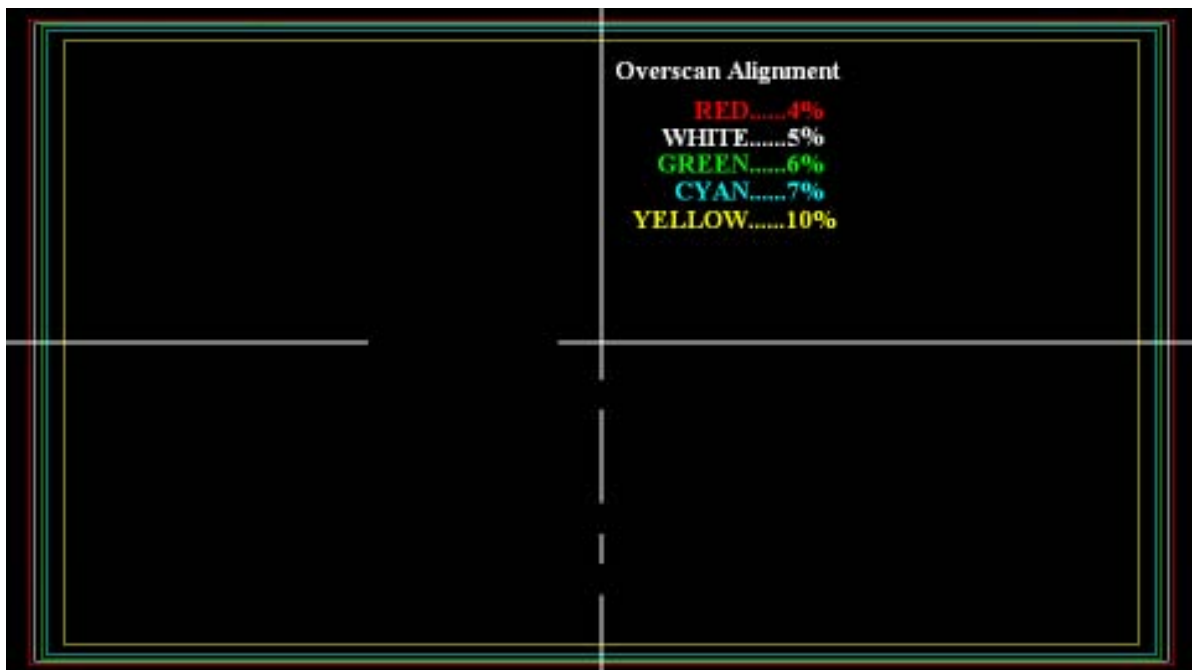
Horizontal and Vertical Centering Adjustment

1. Activating the adjustment mode

1. Press the "MENU" button on a remote hand unit. (The "MENU" display will appear.)
 2. Press the buttons "2", "4", "5" and "7" in that order. (Adjustment mode will appear.)
- If not changed to the adjustment mode press "EXIT" and repeat steps 1 and 2.

2. Test Signal Activation (for H and V position adjustment)

When in the Circuit Adjustment mode, press "PLAY" then "REWIND" twice on the remote control to activate the test pattern. This pattern is used for H+V electrical centering adjustments. To cycle through the various test patterns, press PLAY then REWIND or FAST FORWARD.



Centering Test Pattern

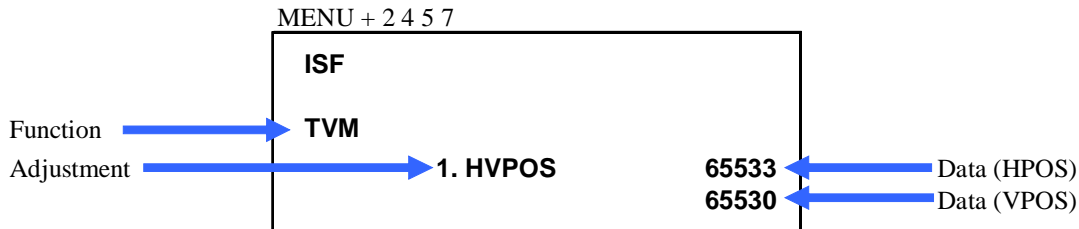
3. Adjustment Function Selection

Use the “AUDIO” button to select a specific Adjustment Function.

NOTE: There are 2 Service Functions on these chassis: “TVM” and the “ASIC” function.

4. Adjustment Selection

Use the “VIDEO” button to select a specific electrical adjustment, “1.HVPOS”.



5. Adjusting Data

After selecting an adjustment item, use the “UP/DOWN/LEFT/RIGHT” buttons to change adjustment.

- If the “UP/DOWN” button is pressed, the VPOS adjustment data changes.
- If the “LEFT/RIGHT” button is pressed, the HPOS adjustment data changes.

6. Saving data

Press “ENTER” to save the adjustment data in memory.

The display characters go red for approximately one second in this step.

Note: If the circuit adjustment mode is terminated without pressing “ENTER”, changes in adjustment data are not saved.

16-Point Geometric Distortion Correction

Summary:

- Calculates new geometry based on positional movement of 16 points
 - 16-Point correction replaces mechanical adjustment
 - Alignment does not effect center, it only affects the edge geometry
 - When the adjustment mode is activated all 16 points will be set to default position
 - Pressing the INFO button will perform the distortion calculation and finalize the adjustment
 - The adjustment is not saved until the ENTER button has been pressed
 - Pressing the ENTER button will save, however it will not indicate this in any manner
 - For the adjustment to work properly all 16 points must be aligned before pressing INFO button
- NOTE:** In the PC Input or FX Game Mode electronic geometric correction is not available.

1. Activating the Adjustment Mode

1. Press the “MENU” button on a remote hand unit. (The “MENU” display will appear.)
2. Press the buttons “2”, “4”, “5”, “7”, pause and then press “0” (Data Selection Mode will appear)

Data Selection Mode MENU + 2 4 5 7 + 0

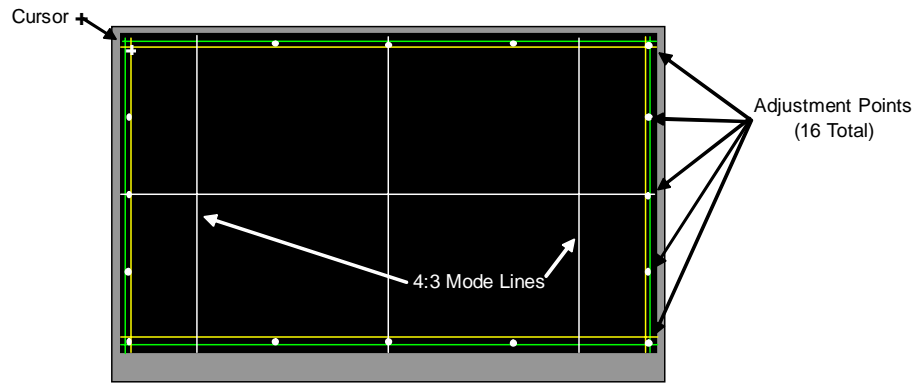
```
RESTORE ALIGNMENT AND WHITE BALANCE SETTINGS FROM BACKUP
RESTORE KEYSTONE GEOMETRY FROM BACKUP
MANUAL KEYSTONE GEOMETRY ALIGNMENT
LOAD INDEX DELAY FROM ENGINE
COPY SETTINGS TO BACKUP
```

WARNING - only use "COPY SETTINGS TO BACKUP" after replacing PWB-TERMINAL

3. Use the UP/DOWN arrows to highlight “MANUAL KEYSTONE GEOMETRY ALIGNMENT” and press ENTER. The following pattern appears (see next page).

NOTE 1: If data is out of range, you may need to perform reset - Press (1) then INFO). This nulls all correction data.

NOTE 2: To restore the original factory correction data, repeat steps 1 thru 3, select “RESTORE KEYSTONE GEOMETRY FROM BACK UP” and press “ENTER”.



2. Manual Keystone Geometry Alignment (There are 2 modes of adjustment: FULL and TOUCH UP)

FULL ADJUSTMENT MODE: Part 1

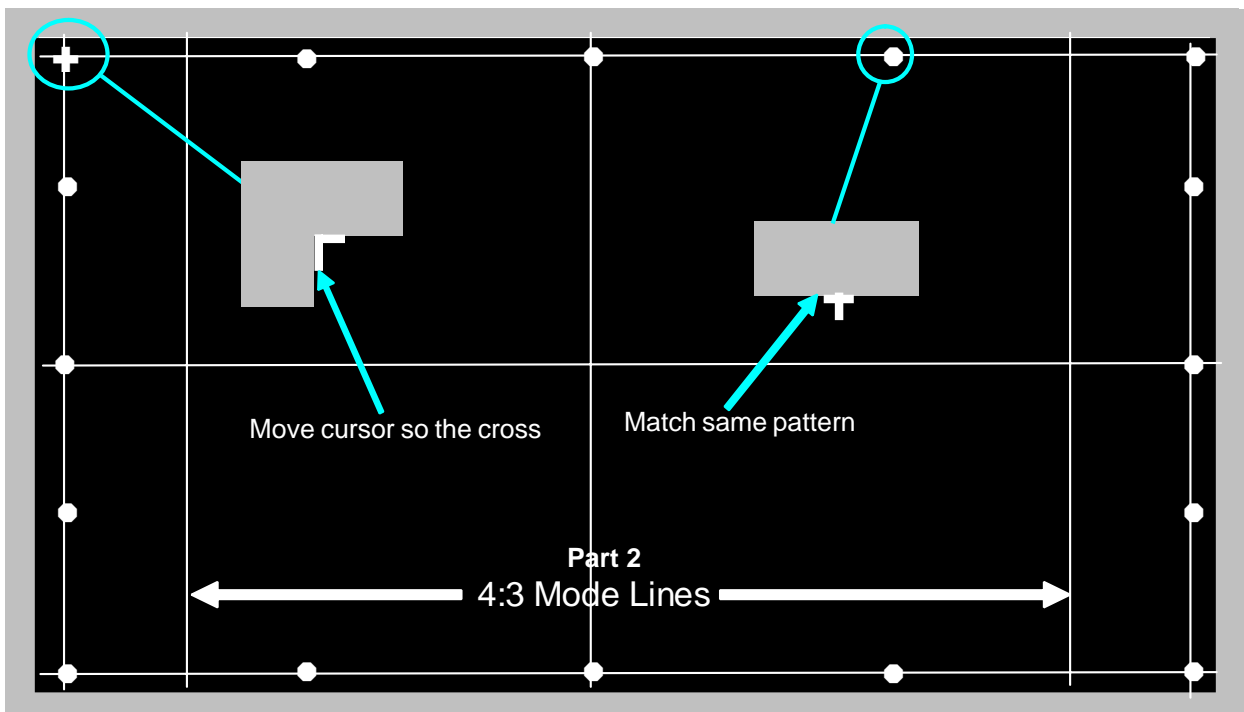
(Note: if data is out of range, you may need to do a reset before starting - press "1" then "INFO")

1. When entering the Keystone Adjustment mode you will see the test pattern as shown in the drawing above. The point in the upper left corner will be a cross.
2. Starting from the 1st point (upper left corner) use the "UP/DOWN/LEFT/RIGHT" buttons to adjust the selected point (selected point is the one that is a cross)
3. Align each point in a straight line, use the bezel as a reference. See example drawing below.
NOTE: Only the cross will move. The pattern will not change.
4. Use "FASTFORWARD" button to move between each point or "REWIND" to go back.

Part 2

5. After all 16 points are aligned properly, pressing the "FASTFORWARD" button again automatically activates the 4:3 mode (there is no change in the display). There are 11 patterns, each with a small variation of distortion in the 4:3 mode vertical lines. Continue pressing "FASTFORWARD" to cycle through the 11 patterns until you find the straightest 4:3 lines, then go to step 6.
6. Press the "ENTER" button to save the adjustment and "EXIT" to leave the Adjustment Mode..

Note: There will be no indication that the save was successful.



Pressing "FASTFORWARD" will cycle through 11 different geometry options. Select the straightest option by pressing "ENTER"

3. Verify Geometry by using internal test pattern. If not even, redo the above steps or enter the TOUCHUP ADJUSTMENT MODE (Note: 4:3 adjustment not available in Touchup mode)

TOUCH UP ADJUSTMENT MODE

1. Enter the Keystone Manual Geometry Alignment.
2. Use the "FASTFORWARD" or "REWIND" buttons to move to the point you want to touch up.
3. Use the "UP/DOWN/LEFT/RIGHT" buttons to adjust the point. Only the cursor will move, the test pattern will not change.
4. Press the "INFO" button to apply the correction. The test pattern will show the correction. Repeat steps 2-3 as needed.
5. Press the "ENTER" button to save your changes.
6. Press the "EXIT" button to leave the alignment mode.

Note: If data is ever adjusted so that lines are showing severe distortion, you can reset to default data by pressing "1" then "INFO".

Data Transfer

After entering the Service Mode (MENU-2-4-5-7) and pressing (0), besides *MANUAL KEYSTONE GEOMETRY ALIGNMENT* four data transfer choices are listed on screen.

- *RESTORE ALIGNMENT AND WHITE BALANCE SETTINGS* - copies HVPOS, White Balance and Engine Color Wheel Delay from Terminal to Main.
- *RESTORE KEYSTONE GEOMETRY FROM BACKUP* - copies manual adjustment data from Terminal to Main.
- *LOAD INDEX DELAY FROM ENGINE* - copies Engine data to PWB-MAIN..
- *Copy SETTINGS TO BACKUP* - **WARNING, use only after replacing PWB-TERMINAL**

After Engine Replacement

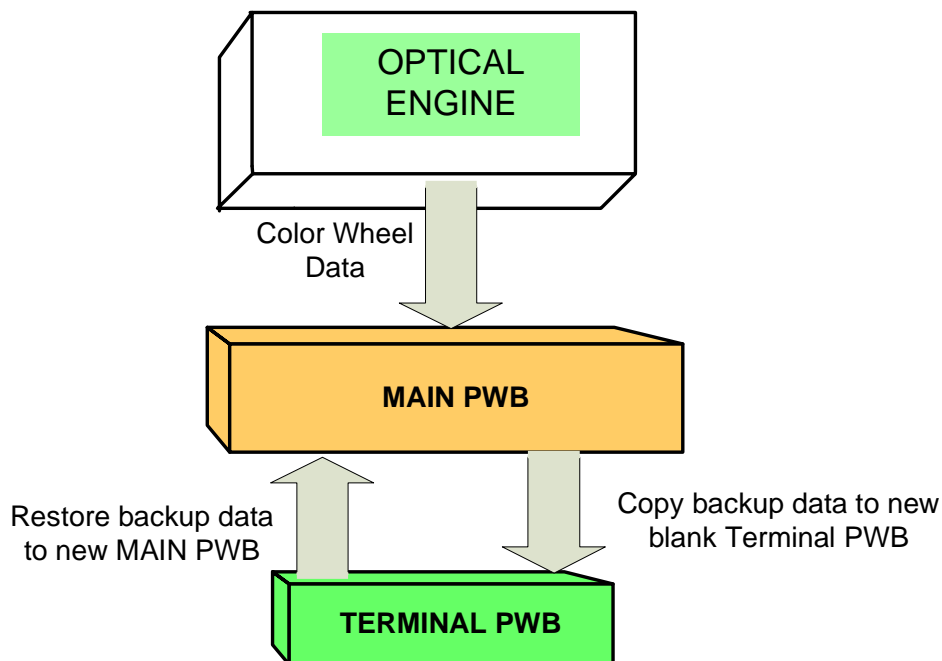
- 1) *Load Index Data from Engine.*
- 2) If needed - *adjust HVPOS.*
- 3) If needed - *adjust Manual Keystone*

After PWB-MAIN Replacement

- 1) *Restore Alignment and White Balance*
- 2) *Restore Keystone Geometry Alignment*

After PWB-TERMINAL Replacement

Copy SETTINGS TO BACKUP - **WARNING, use only after replacing PWB-TERMINAL**





Using Lead Free Solder

The above symbol indicates Lead (Pb) Free solder was used during the construction of PWBs. **Only Lead Free solder** should be used when servicing these PWBs.

Solder must be compatible with that used by the manufacturer. Leaded solder can not be used on PWBs manufactured with Pb-free solder. The Mitsubishi standard for service requires the use of Tin-Silver-Copper (Sn-96.5, Ag-3.0, Cu-0.5). It can be obtained through the Parts Department.

Order part number: **PB FREE SOLDER**

Lead Free solder has a higher melting point, and does not “wet” as well as leaded solder. This means it does not adhere as readily to the solder iron tip, and the surface to be soldered. To counteract this, the flux used is more corrosive.

The following cautions must be taken when using Pb Free solder.

- Higher temperatures can cause the PWB to warp, detaching surface mount components.
- Higher temperatures may cause thermal damage to components.
- Higher temperatures can cause plastics, such as connectors, relays, LEDs electrolytic capacitors, etc. to melt or warp.
- Higher temperatures can cause surface oxidation resulting in poor solder spread-ability and wet-ability.
- The flux is more corrosive.

- The time required for a good solder connection may take longer.
- Poor wet-ability can cause solder balls.
- Higher temperatures can cause flux spattering.
- Soldering iron tip life is shortened.
- Dull finish solder joints (not shiny) can appear to be a “cold” solder joint.

In general a tip temperature of 700° F will usually provide good results.

Displays used to indicate Pb-free

PCBs will be marked, indicating the level of Pb-free construction. *Table 1* defines the levels by phase and shows the different symbols that will be displayed on the PCB. Additionally, a PCB constructed using Pb-free solder may be simply marked **LFS**.

When possible, the indication will be placed close to the part number that is screened onto the PCB (not the part label). *Figure 1* is an example of a PCB showing the display and its location.

Pb-Free Phase	Definition	Display	Short Display (When the area is too small)
Phase-1	PCB's constructed using Pb-free solder.		
Phase-2	Solder, PCB surface finishing and component lead plating is Pb-free. Components may have internal Pb.		
Phase-3	Solder, PCB surface finishing and components are Pb-free. (100% Pb-free)		

Table 1: Pb-Free Phases and Symbols

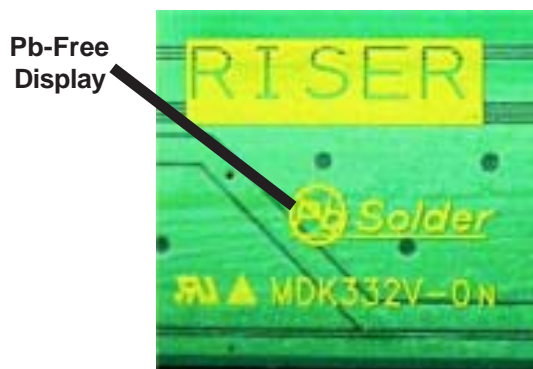


Figure 2: Pb-Free display on PWB

CHIP PARTS REPLACEMENT

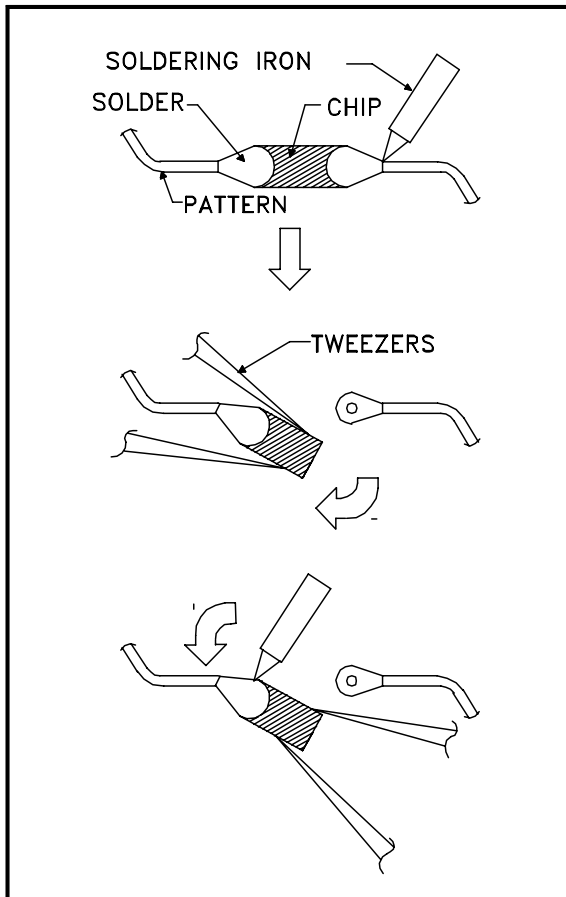
Some resistors, shorting jumpers (0 Ohm resistors), ceramic capacitors, transistors and diodes are chip parts. The following precautions should be taken when replacing these parts.

Cautions:

1. Use a fine tipped, well insulated soldering iron and tweezers.
2. Melt the solder and remove the chip parts carefully so as not to tear the copper foil from the printed circuit board.
3. Discard removed chips; do not reuse them.
4. Do not apply heat for more than 3 (three) seconds to new chip parts.
5. Avoid using a rubbing stroke when soldering.
6. Take care not to scratch, or damage the chip parts when soldering.
7. Supplementary cementing is not required.

Chip Parts Removal (Resistors, Capacitors, etc.)

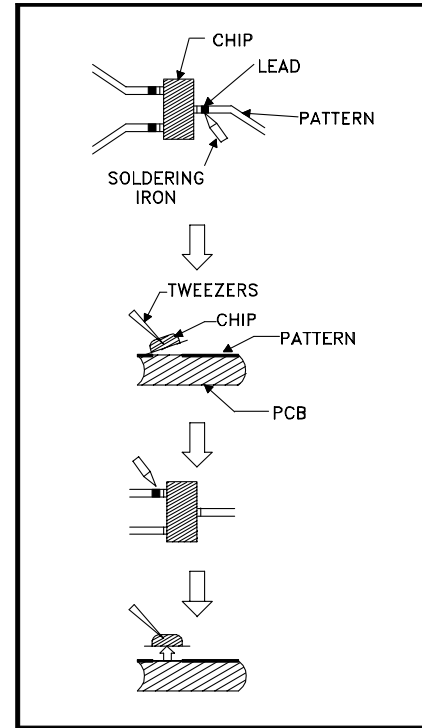
1. Grasp the part with tweezers. Melt the solder at both sides alternately, and remove one side of the part with a twisting motion.
2. Melt the solder at the other side and remove



the part.

Chip Parts Removal (Transistors)

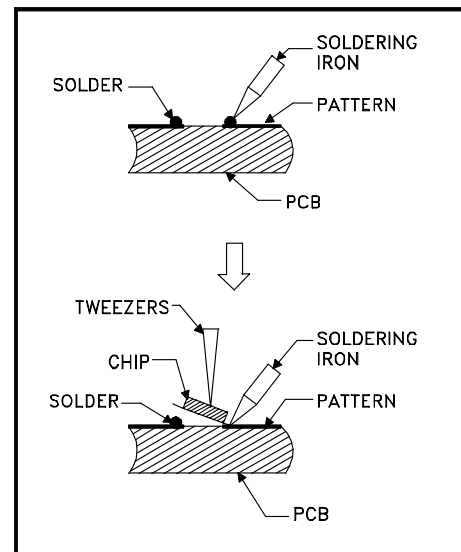
1. Melt the solder of one lead and lift the side of that lead upward.
2. Simultaneously melt the solder of the other



two leads and lift the part from the PCB.

Replacement

1. Presolder the contact points on the circuit pattern.
2. Press the part downward with tweezers and



apply the soldering iron as shown.

REPLACEMENT PARTS


Parts Ordering

To expedite delivery of replacement parts orders, specify the following:

1. Model Number/Serial Number
2. Part Number and description
3. Quantity

Note: Unless complete information is supplied, delay in processing of orders will result.

Critical and Warranty Parts Designation

Critical Electrical Components are indicated by **Bold Type** in the Parts List, and in the schematic diagrams by a red hatch 

Parts Tolerance Codes

Refer to the following chart for tolerance characteristics of electrical components.

MARK	B	C	D	F	G	J	K
Tolerance %	± 0.1	± 0.25	± 0.5	± 1	± 2	± 5	± 10

MARK	M	N	V	X	Z	P	Q
Tolerance %	± 20	± 30	± 10	+ 40 -20	+ 80 -20	+ 100 - 0	+ 30 -10

MARK	M	N	V	X	Z
Tolerance (pF)	± 0.1	± 0.25	± 0.5	± 1	± 2

QUICK REFERENCE FOR COMMON PARTS

All Models

Lamp-Cartridge	915P061010
Unit-Lamp-Ballast	938P076010
Speaker	480P084010
Fan-Exhaust	299P310020
Fan-Scirocco (Ballast)	299P321010
Fan-Engine (DMD)	299P322010
Sensor-Temperature	299P323010
PWB-Sw-Lamp	935D942001

PWB's

MODEL	PWB-TERMINAL	PWB-MAIN	PWB-POWER
WD-57733	934C259001	934C260002	934C261001
WD-57734	"	934C260001	"
WD-57833	934C259002	934C265001	"
WD-Y577	934C259001	934C260001	"
WD-65733	"	934C260002	"
WD-65734	"	934C260001	"
WD-65833	934C259002	934C265001	"
WD-C657	934C259001	934C260003	"
WD-Y657	"	934C260001	"
WD-73733	"	934C260002	"
WD-73734	"	934C260001	"
WD-73833	934C259002	934C265001	"

OPTICAL ENGINE & MISC. PARTS.

MODEL	OPTICAL ENGINE	LENS FRESNEL	SCREEN LENTICULAR	MIRROR	REMOTE
WD-57733	938P075010	491P206050	491P207050	767D084010	290P137010
WD-57734	938P075040	"	"	"	"
WD-57833	"	"	"	"	290P137020
WD-Y577	938P075010	"	"	"	290P137010
WD-65733	938P075020	(1)	(1)	767D084020	"
WD-65734	938P075050	(1)	(1)	"	"
WD-65833	"	491P206040	491P208050	"	290P137020
WD-C657	938P075020	(1)	(1)	767D085020	290P137010
WD-Y657	"	(1)	(1)	"	"
WD-73733	938P075030	491P206070	491P208020	767D084030	"
WD-73734	938P075060	"	"	"	"
WD-73833	"	"	"	"	290P137020

(1) Refer to Screen Parts list, pages 47 & 48

**MODELS: WD-57733 / WD-65733 / WD-73733 / WD-57734 / WD-65734 / WD-73734 / WD-C657
WD-Y577 / WD-Y657 / WD-57833 / WD-65833 / WD-73833**

[#] Model Legend: (a) WD-57733, (b) WD-57734, (c) WD-57833, (d) WD-65733, (e) WD-65734, (f) WD-65833, (g) WD-73733, (h) WD-73734, (i) WD-73833, (j) WD-C657, (k) WD-Y577, (l) WD-Y657

Ref #	Part #	Part Name & Description	[#]
INTEGRATED CIRCUITS			
IC102	276P325010	IC-C-MOS - MAX4232AKA+T/SOT-23+	
IC1500	276P322010	IC-C-MOS - T312 A21 100-CG1028	cfi
IC1502	271P216010	IC - SC42151STRT	cfi
IC1503	271P251010	IC - MM1661JHBE	cfi
IC2001	276P460010	IC-C-MOS - Sil9125CTU	
IC2004	275P981010	IC-C-MOS - 24LCS22AT/SN	bcefhikl
IC2005	271P251010	IC - MM1661JHBE	
IC2101	276P461010	IC-C-MOS - Sil9185CTU	
IC2102	271P251010	IC - MM1661JHBE	
IC2201	271P255010	IC - RClamp0524P.TCT	
IC2202	271P255010	IC - RClamp0524P.TCT	
IC2301	271P255010	IC - RClamp0524P.TCT	
IC2302	271P255010	IC - RClamp0524P.TCT	
IC2401	271P255010	IC - RClamp0524P.TCT	abcdefghikl
IC2402	271P255010	IC - RClamp0524P.TCT	abcdefghikl
IC2A02	271P255010	IC - RClamp0524P.TCT	
IC2A03	271P255010	IC - RClamp0524P.TCT	
IC2A04	271P255010	IC - RClamp0524P.TCT	bcefhikl
IC2C01	276P519010	IC-C-MOS - 74HC132DB	behlk
IC2C02	275P989010	IC-C-MOS - MAX3223ECAP	cfi
IC2E01	276P519010	IC-C-MOS - 74HC132DB	cfi
IC2J00	276P174020	IC-C-MOS - AT24C256BN-10SU-1.8	
IC2J01	276P459010	IC-C-MOS - MM1783BQ	abdeghijkl
IC2M01	276P458010	IC-C-MOS - μ PD64017F1-FN7-A	cfi
IC2M02	276P478010	IC-C-MOS - EDS1616AGTA-6B-E	cfi
IC2M05	271P251030	IC - MM1661FHBE	cfi
IC2N01	276P458010	IC-C-MOS - μ PD64017F1-FN7-A	cfi
IC2N05	271P251030	IC - MM1661FHBE	cfi
IC3A01	276P503010	IC-C-MOS - AK5358AETP	
IC3D01	276P498010	IC-C-MOS - AK4341ETP	cfi
IC3D02	276P498010	IC-C-MOS - AK4341ETP	
IC3D03	276P498010	IC-C-MOS - AK4341ETP	
IC3E02	276P464010	IC - TDA8932BTW/N2	
IC3F01	271P209010	IC - AN5832SA	
IC3P01	276P518010	IC - NJU26204V-TE2	
IC3P03	271P251010	IC - MM1661JHBE	
IC7A01	276P456010	IC-C-MOS - M30627FHPGP#U5C	cfi
IC7A01	276P456030	IC-C-MOS - M30627FHPGP#U5C-V362	adgj
IC7A01	276P456040	IC-C-MOS - - M30627FHPGP#U5C-V363	behlk
IC7A02	270P706020	IC - MAX823REUK	
IC7C00	276P336010	IC-C-MOS - Sil7170CMSU	
IC7C01	276P337010	IC-C-MOS - PLL701-21SC-R	
IC7C02	271P251020	IC - MM1663DHBE	
IC7D01	271P078010	IC - MM1566AJBE	abdeghijkl
IC7E01	276P197010	IC-C-MOS - AD9981KST-80	abdeghijkl
IC7E02	271P251010	IC - MM1661JHBE	abdeghijkl
IC7F00	276P466010	IC-C-MOS - NT5DS8M16FS-5T	
IC7F01	276P466010	IC-C-MOS - NT5DS8M16FS-5T	
IC7F02	276P466010	IC-C-MOS - NT5DS8M16FS-5T	
IC7F03	276P466010	IC-C-MOS - NT5DS8M16FS-5T	
IC7F04	271P033010	IC - LP2996MRX	
IC7G00	276P481010	IC-C-MOS - MB87Q1730PBH-GE1	
IC7G25	270P879030	IC - SC156615M-2.5TR	
IC7N21	276P525010	IC-C-MOS - MAX4489ASA+T	bcefhikl
IC7R01	276P331020	IC-C-MOS - PIC18F1320TI/SO	cfi

Ref #	Part #	Part Name & Description	[#]
IC7R02	270P503010	IC - NJM311M	cfi
IC7R03	271P023010	IC - SN74CBTD1G125DBVR	cfi
IC7R04	276P329010	IC-C-MOS - 74HCT4053PWT	cfi
IC7R05	276P334010	IC-C-MOS - MM1108XFBE	cfi
IC8001	276P030030	IC-C-MOS - 215H31AGA12H	cfi
IC8001	276P441010	IC-C-MOS - X215H48AGA21 HG(X240H)	abdeghijkl
IC8002	270P706020	IC - MAX823REUK	
IC8003	271P216010	IC - SC42151STRT	cfi
IC8008	271P251010	IC - MM1661JHBE	cfi
IC8010	271P251010	IC - MM1661JHBE	abdeghijkl
IC8011	271P216010	IC - SC42151STRT	abdeghijkl
IC8080	276P400010	IC-C-MOS - 74LVC1G125GV	cfi
IC8101	271P033010	IC - LP2996MRX	
IC8102	276P029030	IC-C-MOS - NT5DS16M16CS-5T	cfi
IC8102	276P492010	IC-C-MOS - NT5DS32M16BS-5T	abdeghijkl
IC8103	276P029030	IC-C-MOS - NT5DS16M16CS-5T	cfi
IC8103	276P492010	IC-C-MOS - NT5DS32M16BS-5T	abdeghijkl
IC8104	276P029030	IC-C-MOS - NT5DS16M16CS-5T	cfi
IC8105	276P029030	IC-C-MOS - NT5DS16M16CS-5T	cfi
IC8205	276P042010	IC-C-MOS - MIC2544-1BM	
IC8211	276P029030	IC-C-MOS - NT5DS16M16CS-5T	cfi
IC8212	276P029030	IC-C-MOS - NT5DS16M16CS-5T	cfi
IC8280	276P215010	IC-C-MOS - DS1337U+T&R	
IC8302	276P323010	IC-C-MOS - S29AL004D70TFI010H	
IC8307	276P199020	IC-C-MOS - XR16V654IV	cfi
IC8307	276P485010	IC-C-MOS - SC16C652BIB48	abdeghijkl
IC8312	276P333010	IC-C-MOS - LCMX0256C3TN10C	
IC8318	276P465010	IC-C-MOS - MD2534-d1G-X-P	cfi
IC8321	276P465010	IC-C-MOS - MD2534-d1G-X-P	abdeghijkl
IC8401	276P193010	IC-C-MOS - MN864620	cfi
IC8404	271P251030	IC - MM1661FHBE	cfi
IC8501	276P202030	IC-C-MOS - ICS443M-41LF	abdeghijkl
IC8551	276P202030	IC-C-MOS - ICS443M-41LF	cfi
IC9A10	267P175010	HIC - STR-W6735	
IC9A20	271P142010	IC - RT9H301C	
IC9C51	271P251020	IC - MM1663DHBE	
IC9G01	271P253010	IC - AOZ1010AI	
IC9G02	271P254010	IC - ISL6545ACBZ-TS2698	
IC9G03	271P254010	IC - ISL6545ACBZ-TS2698	
IC9G04	271P254010	IC - ISL6545ACBZ-TS2698	cfi
IC9G05	271P272010	IC - NJM2386ADL3-09	
IC9G91	276P042010	IC-C-MOS - MIC2544-1BM	cfi
TRANSISTORS			
CHIP Type Transistors (Listed by Part No.)			
	<u>Part No.</u>	<u>Description</u>	
	261P842030	2SC3052-T112-1G	
	261P842080	2SC3052-T112-1E;F	behlk
	261P843080	2SA1235-T112-1E;F	abdeghijkl
	261P844010	RT1N436C-T112-1	behlk
	261P858010	BSS138	cfi
	261P874010	FDS8896	
	261P875010	FDS8984	
	261P876010	FDS6298	
	261P877010	FDC655BN	

**MODELS: WD-57733 / WD-65733 / WD-73733 / WD-57734 / WD-65734 / WD-73734 / WD-C657
WD-Y577 / WD-Y657 / WD-57833 / WD-65833 / WD-73833**

[#] Model Legend: (a) WD-57733, (b) WD-57734, (c) WD-57833, (d) WD-65733, (e) WD-65734, (f) WD-65833, (g) WD-73733, (h) WD-73734, (i) WD-73833, (j) WD-C657, (k) WD-Y577, (l) WD-Y657

Ref #	Part #	Part Name & Description	[#]
TRANSISTORS			
CHIP Type Transistors (Listed by Part No.)			
Ref #	Part #	Part Name & Description	[#]
Q2E01	261P114010	TR - 2SA1585STPR	bcefhikl
Q9A12	261P223010	TR - 2SJ651	
DIODES			
D101	262P075010	DIODE - RSB6.8S	
D1501	264P846010	D-CHIP - MA732	cfi
D1502	264P846010	D-CHIP - MA732	cfi
D2103	262P852010	DIODE-CHIP - BAT54S	
D2201	262P840090	D-CHIP - MAZ80510H	
D2202	262P830010	D-CHIP - MC2850-T111-1	cfi
D2202	262P830010	D-CHIP - MC2850-T111-1	abdeghijkl
D2203	262P830010	D-CHIP - MC2850-T111-1	cfi
D2203	262P830010	D-CHIP - MC2850-T111-1	abdeghijkl
D2301	262P840090	D-CHIP - MAZ80510H	
D2302	262P830010	D-CHIP - MC2850-T111-1	cfi
D2302	262P830010	D-CHIP - MC2850-T111-1	abdeghijkl
D2303	262P830010	D-CHIP - MC2850-T111-1	cfi
D2303	262P830010	D-CHIP - MC2850-T111-1	abdeghijkl
D2401	262P840090	D-CHIP - MAZ80510H	abcdehijkl
D2402	262P830010	D-CHIP - MC2850-T111-1	cfi
D2402	262P830010	D-CHIP - MC2850-T111-1	abdeghkl
D2403	262P830010	D-CHIP - MC2850-T111-1	cfi
D2403	262P830010	D-CHIP - MC2850-T111-1	abdeghkl
D2A04	262P840090	D-CHIP - MAZ80510H	
D2J01	262P163010	D-CHIP - MALS068X0L	
D2J02	262P163010	D-CHIP - MALS068X0L	
D2J03	262P163010	D-CHIP - MALS068X0L	
D2J04	262P163010	D-CHIP - MALS068X0L	
D2J05	262P163010	D-CHIP - MALS068X0L	
D2J06	262P163010	D-CHIP - MALS068X0L	
D7A01	262P828010	D-CHIP - MC2838-T112-1	abdeghijkl
D7A01	262P828010	D-CHIP - MC2838-T112-1	cfi
D7A05	262P828020	D-CHIP - MC2836-T112-1	abdeghijkl
D7A05	262P828020	D-CHIP - MC2836-T112-1	cfi
D7A06	262P828010	D-CHIP - MC2838-T112-1	abdeghijkl
D7A06	262P828010	D-CHIP - MC2838-T112-1	cfi
D7A07	262P828010	D-CHIP - MC2838-T112-1	abdeghijkl
D7A07	262P828010	D-CHIP - MC2838-T112-1	cfi
D7A08	262P828020	D-CHIP - MC2836-T112-1	abdeghijkl
D7A08	262P828020	D-CHIP - MC2836-T112-1	cfi
D7A09	262P828010	D-CHIP - MC2838-T112-1	abdeghijkl
D7A09	262P828010	D-CHIP - MC2838-T112-1	cfi
D7A10	262P828010	D-CHIP - MC2838-T112-1	
D7A11	262P828020	D-CHIP - MC2836-T112-1	
D7C00	262P828010	D-CHIP - MC2838-T112-1	
D7L01	264P212020	D-LED - LN31GPH	
D7L02	264P584020	DIODE-LE - SML1216W-C,D	
D7L03	264P584020	DIODE-LE - SML1216W-C,D	
D7N21	268P100010	DIODE-PHOTO - SFH235FA	bcefhikl
D7N22	262P828010	D-CHIP - MC2838-T112-1	bcefhikl
D7T01	262P855010	D-LE-CHIP - LB E6SG-S2U1-35-1	fi
D7T02	262P855010	D-LE-CHIP - LB E6SG-S2U1-35-1	fi
D7T03	262P855010	D-LE-CHIP - LB E6SG-S2U1-35-1	fi
D7T04	262P855010	D-LE-CHIP - LB E6SG-S2U1-35-1	fi
D7T05	262P855010	D-LE-CHIP - LB E6SG-S2U1-35-1	fi

Ref #	Part #	Part Name & Description	[#]
D7T06	262P855010	D-LE-CHIP - LB E6SG-S2U1-35-1	fi
D7T07	262P855010	D-LE-CHIP - LB E6SG-S2U1-35-1	fi
D7T08	262P855010	D-LE-CHIP - LB E6SG-S2U1-35-1	fi
D7T09	262P855010	D-LE-CHIP - LB E6SG-S2U1-35-1	fi
D7T10	262P855010	D-LE-CHIP - LB E6SG-S2U1-35-1	fi
D7T11	262P855010	D-LE-CHIP - LB E6SG-S2U1-35-1	c
D7T12	262P855010	D-LE-CHIP - LB E6SG-S2U1-35-1	c
D7T13	262P855010	D-LE-CHIP - LB E6SG-S2U1-35-1	c
D7T14	262P855010	D-LE-CHIP - LB E6SG-S2U1-35-1	c
D7T15	262P855010	D-LE-CHIP - LB E6SG-S2U1-35-1	c
D7T16	262P855010	D-LE-CHIP - LB E6SG-S2U1-35-1	c
D7T17	262P855010	D-LE-CHIP - LB E6SG-S2U1-35-1	c
D7T18	262P855010	D-LE-CHIP - LB E6SG-S2U1-35-1	c
D7T21	262P855010	D-LE-CHIP - LB E6SG-S2U1-35-1	fi
D7T22	262P855010	D-LE-CHIP - LB E6SG-S2U1-35-1	fi
D7T23	262P855010	D-LE-CHIP - LB E6SG-S2U1-35-1	fi
D7T24	262P855010	D-LE-CHIP - LB E6SG-S2U1-35-1	fi
D7T25	262P855010	D-LE-CHIP - LB E6SG-S2U1-35-1	fi
D7T26	262P855010	D-LE-CHIP - LB E6SG-S2U1-35-1	fi
D7T27	262P855010	D-LE-CHIP - LB E6SG-S2U1-35-1	fi
D7T28	262P855010	D-LE-CHIP - LB E6SG-S2U1-35-1	fi
D7T29	262P855010	D-LE-CHIP - LB E6SG-S2U1-35-1	fi
D7T30	262P855010	D-LE-CHIP - LB E6SG-S2U1-35-1	fi
D7T31	262P855010	D-LE-CHIP - LB E6SG-S2U1-35-1	c
D7T32	262P855010	D-LE-CHIP - LB E6SG-S2U1-35-1	c
D7T33	262P855010	D-LE-CHIP - LB E6SG-S2U1-35-1	c
D7T34	262P855010	D-LE-CHIP - LB E6SG-S2U1-35-1	c
D7T35	262P855010	D-LE-CHIP - LB E6SG-S2U1-35-1	c
D7T36	262P855010	D-LE-CHIP - LB E6SG-S2U1-35-1	c
D7T37	262P855010	D-LE-CHIP - LB E6SG-S2U1-35-1	c
D7T38	262P855010	D-LE-CHIP - LB E6SG-S2U1-35-1	c
D8203	264P846010	D-CHIP - MA732	
D8204	264P846010	D-CHIP - MA732	
D8280	262P828010	D-CHIP - MC2838-T112-1	
D9A00	262P162010	DIODE - D3SB80	
D9A02	264P045080	DIODE - 1S2076A/1S24710M	
D9A03	264P775080	DIODE-MTZJ6.2CQLF	
D9A04	264P045080	DIODE - 1S2076A/1S24710M	
D9A05	262P170010	DIODE - SARS01	
D9A07	262P158020	DIODE - S3V60-5009F40	
D9A08	262P158020	DIODE - S3V60-5009F40	
D9A18	264P045080	DIODE - 1S2076A/1S24710M	
D9A19	264P045080	DIODE - 1S2076A/1S24710M	
D9A20	264P045080	DIODE - 1S2076A/1S24710M	
D9A22	264P775080	DIODE-MTZJ6.2CQLF	
D9A23	262P085010	DIODE - 11EFS2N-TA2B5	
D9A24	262P085010	DIODE - 11EFS2N-TA2B5	
D9A25	262P085010	DIODE - 11EFS2N-TA2B5	
D9A26	262P184010	DIODE - SG10SC6-5112	
D9A31	262P084020	DIODE - 31DQ09-FC5	
D9G01	262P852010	DIODE-CHIP - BAT54S	
D9G02	262P852010	DIODE-CHIP - BAT54S	
D9G03	262P842010	DIODE-CHIP - MAZ81500H	
D9G04	262P842020	DIODE-CHIP - MAZ81600H	
D9G05	262P841010	D-CHIP - MAZ80620H	cfi
D9G06	262P828010	D-CHIP - MC2838-T112-1	
D9G07	262P843010	D-CHIP - MAZ80560H	cfi
D9G09	262P828010	D-CHIP - MC2838-T112-1	

**MODELS: WD-57733 / WD-65733 / WD-73733 / WD-57734 / WD-65734 / WD-73734 / WD-C657
WD-Y577 / WD-Y657 / WD-57833 / WD-65833 / WD-73833**

[#] Model Legend: (a) WD-57733, (b) WD-57734, (c) WD-57833, (d) WD-65733, (e) WD-65734, (f) WD-65833, (g) WD-73733, (h) WD-73734,
(i) WD-73833, (j) WD-C657, (k) WD-Y577, (l) WD-Y657

Ref #	Part #	Part Name & Description	[#]
D9G18	264P775040	DIODE - MTZJ6.6CQLP	abdeghijkl
D9G19	262P853060	DIODE - 1N748A	abdeghijkl
D9G91	262P163010	D-CHIP - MALS068X0L	cfi
COILS			
L101	409P923060	EMI-F-CHIP - BLM21B272S	
L102	409P777080	EMI-F-CHIP - BLM21P221S	cfi
L102	409P923060	EMI-F-CHIP - BLM21B272S	abdeghijkl
L103	409P923060	EMI-F-CHIP - BLM21B272S	
L104	409P865080	EMI-F-CHIP - BLM18PG6	
L105	409P923060	EMI-F-CHIP - BLM21B272S	abdeghijkl
L107	409P865020	EMI-F-CHIP - BLM11A601S	cfi
L108	409P865020	EMI-F-CHIP - BLM11A601S	cfi
L1500	409P865070	EMI-F-CHIP - BLM11P300S	cfi
L1502	409P865070	EMI-F-CHIP - BLM11P300S	cfi
L1503	409P865070	EMI-F-CHIP - BLM11P300S	cfi
L1504	409P865070	EMI-F-CHIP - BLM11P300S	cfi
L1505	409P865070	EMI-F-CHIP - BLM11P300S	cfi
L1506	409P865070	EMI-F-CHIP - BLM11P300S	cfi
L1507	409P865070	EMI-F-CHIP - BLM11P300S	cfi
L1508	409P865070	EMI-F-CHIP - BLM11P300S	cfi
L1509	409P777080	EMI-F-CHIP - BLM21P221S	cfi
L2001	409P777080	EMI-F-CHIP - BLM21P221S	bcefhijkl
L2002	409P777080	EMI-F-CHIP - BLM21P221S	abcdeghijkl
L2002	409P777080	EMI-F-CHIP - BLM21P221S	j
L2003	409P777080	EMI-F-CHIP - BLM21P221S	abcdeghijkl
L2003	409P777080	EMI-F-CHIP - BLM21P221S	j
L2004	409P777080	EMI-F-CHIP - BLM21P221S	abcdeghijkl
L2004	409P777080	EMI-F-CHIP - BLM21P221S	j
L2005	409P777080	EMI-F-CHIP - BLM21P221S	abcdeghijkl
L2005	409P777080	EMI-F-CHIP - BLM21P221S	j
L2006	409P777080	EMI-F-CHIP - BLM21P221S	abcdeghijkl
L2006	409P777080	EMI-F-CHIP - BLM21P221S	j
L2007	409P777080	EMI-F-CHIP - BLM21P221S	abcdeghijkl
L2007	409P777080	EMI-F-CHIP - BLM21P221S	j
L2008	409P777080	EMI-F-CHIP - BLM21P221S	abcdeghijkl
L2008	409P777080	EMI-F-CHIP - BLM21P221S	j
L2101	409P777080	EMI-F-CHIP - BLM21P221S	abcdeghijkl
L2101	409P777080	EMI-F-CHIP - BLM21P221S	j
L2102	409P777080	EMI-F-CHIP - BLM21P221S	abcdeghijkl
L2102	409P777080	EMI-F-CHIP - BLM21P221S	j
L2104	409P777080	EMI-F-CHIP - BLM21P221S	abcdeghijkl
L2104	409P777080	EMI-F-CHIP - BLM21P221S	j
L2C16	409P876020	EMI-F-CHIP - CNF20C470S/ CKD510JB1H470S	cfi
L2C17	409P876020	EMI-F-CHIP - CNF20C470S/ CKD510JB1H470S	cfi
L2C20	325C411090	COIL-CHIP - 33MH-J	cfi
L2E00	409P876040	EMI-F-CHIP - CNF20C221S/ CKD510JB1H221S	bcefhijkl
L2E02	409P923060	EMI-F-CHIP - BLM21B272S	cfi
L2E14	409P777050	EMI-F-CHIP - BLM21B201S	cfi
L2J01	325C411030	COIL-CHIP - 10MH-J	
L2J02	325C411030	COIL-CHIP - 10MH-J	
L2J23	409P923060	EMI-F-CHIP - BLM21B272S	
L2J24	409P923060	EMI-F-CHIP - BLM21B272S	
L2J25	409P923060	EMI-F-CHIP - BLM21B272S	
L2J26	409P923060	EMI-F-CHIP - BLM21B272S	

Ref #	Part #	Part Name & Description	[#]
L2M04	409P777080	EMI-F-CHIP - BLM21P221S	cfi
L2M05	409P777080	EMI-F-CHIP - BLM21P221S	cfi
L2M09	409P777080	EMI-F-CHIP - BLM21P221S	cfi
L2M11	409P777080	EMI-F-CHIP - BLM21P221S	cfi
L2M13	409P777080	EMI-F-CHIP - BLM21P221S	cfi
L2M14	409P777080	EMI-F-CHIP - BLM21P221S	cfi
L2M15	409P777080	EMI-F-CHIP - BLM21P221S	cfi
L2M16	409P777080	EMI-F-CHIP - BLM21P221S	cfi
L2M17	409P777080	EMI-F-CHIP - BLM21P221S	cfi
L2M18	409P777080	EMI-F-CHIP - BLM21P221S	cfi
L2M20	409P777080	EMI-F-CHIP - BLM21P221S	cfi
L2M25	409P777080	EMI-F-CHIP - BLM21P221S	cfi
L2M38	409P777080	EMI-F-CHIP - BLM21P221S	cfi
L2M93	409P777080	EMI-F-CHIP - BLM21P221S	cfi
L2N04	409P777080	EMI-F-CHIP - BLM21P221S	cfi
L2N05	409P777080	EMI-F-CHIP - BLM21P221S	cfi
L2N09	409P777080	EMI-F-CHIP - BLM21P221S	cfi
L2N11	409P777080	EMI-F-CHIP - BLM21P221S	cfi
L2N13	409P777080	EMI-F-CHIP - BLM21P221S	cfi
L2N14	409P777080	EMI-F-CHIP - BLM21P221S	cfi
L2N15	409P777080	EMI-F-CHIP - BLM21P221S	cfi
L2N16	409P777080	EMI-F-CHIP - BLM21P221S	cfi
L2N17	409P777080	EMI-F-CHIP - BLM21P221S	cfi
L2N18	409P777080	EMI-F-CHIP - BLM21P221S	cfi
L2N20	409P777080	EMI-F-CHIP - BLM21P221S	cfi
L2N25	409P777080	EMI-F-CHIP - BLM21P221S	cfi
L2N38	409P777080	EMI-F-CHIP - BLM21P221S	cfi
L3A02	409P865020	EMI-F-CHIP - BLM11A601S	
L3A03	409P865020	EMI-F-CHIP - BLM11A601S	
L3D01	409P865020	EMI-F-CHIP - BLM11A601S	cfi
L3D02	409P865020	EMI-F-CHIP - BLM11A601S	cfi
L3D04	409P865020	EMI-F-CHIP - BLM11A601S	
L3D05	409P865020	EMI-F-CHIP - BLM11A601S	
L3D08	409P865020	EMI-F-CHIP - BLM11A601S	
L3D09	409P865020	EMI-F-CHIP - BLM11A601S	
L3E02	409P777080	EMI-F-CHIP - BLM21P221S	
L3E04	351P317010	COIL-CHOKE-CHIP - PLC-1055-220S	
L3E05	351P317010	COIL-CHOKE-CHIP - PLC-1055-220S	
L3F01	409P865020	EMI-F-CHIP - BLM11A601S	
L3P01	409P865020	EMI-F-CHIP - BLM11A601S	
L3P02	409P865020	EMI-F-CHIP - BLM11A601S	
L3P03	409P865020	EMI-F-CHIP - BLM11A601S	
L3S01	409P865020	EMI-F-CHIP - BLM11A601S	
L7A01	409P777050	EMI-F-CHIP - BLM21B201S	behkl
L7A01	409P777050	EMI-F-CHIP - BLM21B201S	acdfgij
L7A13	409P777050	EMI-F-CHIP - BLM21B201S	behkl
L7A13	409P777050	EMI-F-CHIP - BLM21B201S	acdfgij
L7C00	409P865060	EMI-F-CHIP - BLM11B141S	
L7C01	409P865060	EMI-F-CHIP - BLM11B141S	
L7C02	409P865060	EMI-F-CHIP - BLM11B141S	
L7C03	409P865060	EMI-F-CHIP - BLM11B141S	
L7C04	409P865060	EMI-F-CHIP - BLM11B141S	
L7C05	409P923060	EMI-F-CHIP - BLM21B272S	cfi
L7C06	409P865060	EMI-F-CHIP - BLM11B141S	
L7C07	409P865060	EMI-F-CHIP - BLM11B141S	
L7C08	409P865060	EMI-F-CHIP - BLM11B141S	
L7C09	409P865060	EMI-F-CHIP - BLM11B141S	cfi
L7C094	409P865060	EMI-F-CHIP - BLM11B141S	abdeghijkl
L7C11	409P777080	EMI-F-CHIP - BLM21P221S	cfi

**MODELS: WD-57733 / WD-65733 / WD-73733 / WD-57734 / WD-65734 / WD-73734 / WD-C657
WD-Y577 / WD-Y657 / WD-57833 / WD-65833 / WD-73833**

[#] Model Legend: (a) WD-57733, (b) WD-57734, (c) WD-57833, (d) WD-65733, (e) WD-65734, (f) WD-65833, (g) WD-73733, (h) WD-73734,
(i) WD-73833, (j) WD-C657, (k) WD-Y577, (l) WD-Y657

Ref #	Part #	Part Name & Description	[#]
L7C14	409P777080	EMI-F-CHIP - BLM21P221S	
L7C24	409P777080	EMI-F-CHIP - BLM21P221S	
L7C46	409P777080	EMI-F-CHIP - BLM21P221S	
L7D00	409P865060	EMI-F-CHIP - BLM11B141S	
L7D01	409P865060	EMI-F-CHIP - BLM11B141S	
L7D02	409P865060	EMI-F-CHIP - BLM11B141S	
L7D03	409P865060	EMI-F-CHIP - BLM11B141S	
L7D04	409P865060	EMI-F-CHIP - BLM11B141S	
L7D06	409P865060	EMI-F-CHIP - BLM11B141S	
L7D07	409P865060	EMI-F-CHIP - BLM11B141S	
L7D08	409P865060	EMI-F-CHIP - BLM11B141S	
L7D09	409P865060	EMI-F-CHIP - BLM11B141S	
L7D10	409P865060	EMI-F-CHIP - BLM11B141S	
L7D11	409P865060	EMI-F-CHIP - BLM11B141S	
L7D12	409P865060	EMI-F-CHIP - BLM11B141S	
L7D13	409P865060	EMI-F-CHIP - BLM11B141S	
L7D14	409P865060	EMI-F-CHIP - BLM11B141S	
L7D15	409P865060	EMI-F-CHIP - BLM11B141S	
L7D16	409P865060	EMI-F-CHIP - BLM11B141S	
L7D17	409P865060	EMI-F-CHIP - BLM11B141S	
L7D18	409P865060	EMI-F-CHIP - BLM11B141S	
L7D19	409P865060	EMI-F-CHIP - BLM11B141S	
L7D22	409P865060	EMI-F-CHIP - BLM11B141S	
L7D23	321C114010	COIL-RF - 2200MH-J	
L7D26	325C411030	COIL-CHIP - 10MH-J	
L7D27	409P865060	EMI-F-CHIP - BLM11B141S	abdeghjkl
L7D28	409P865060	EMI-F-CHIP - BLM11B141S	abdeghjkl
L7D30	409P777080	EMI-F-CHIP - BLM21P221S	abdeghjkl
L7D40	409P865060	EMI-F-CHIP - BLM11B141S	cfi
L7D41	409P865060	EMI-F-CHIP - BLM11B141S	cfi
L7D53	321C114010	COIL-RF - 2200MH-J	cfi
L7D56	325C411030	COIL-CHIP - 10MH-J	cfi
L7E01	409P777080	EMI-F-CHIP - BLM21P221S	abdeghjkl
L7E02	325C420070	COIL-CHIP - 10MH-K	abdeghjkl
L7E03	409P777080	EMI-F-CHIP - BLM21P221S	abdeghjkl
L7E06	409P777080	EMI-F-CHIP - BLM21P221S	abdeghjkl
L7F00	409P777080	EMI-F-CHIP - BLM21P221S	
L7F01	409P777080	EMI-F-CHIP - BLM21P221S	
L7G00	409P777080	EMI-F-CHIP - BLM21P221S	
L7G01	409P777080	EMI-F-CHIP - BLM21P221S	
L7G02	409P777080	EMI-F-CHIP - BLM21P221S	
L7G03	409P777080	EMI-F-CHIP - BLM21P221S	
L7G12	409P777080	EMI-F-CHIP - BLM21P221S	
L7G25	409P777080	EMI-F-CHIP - BLM21P221S	
L7H11	409P777080	EMI-F-CHIP - BLM21P221S	cfi
L7H12	409P777080	EMI-F-CHIP - BLM21P221S	cfi
L7N01	409P777080	EMI-F-CHIP - BLM21P221S	
L7P00	409P923060	EMI-F-CHIP - BLM21B272S	behkl
L7P14	409P777050	EMI-F-CHIP - BLM21B201S	behkl
L7P20	409P777050	EMI-F-CHIP - BLM21B201S	cfi
L7T01	409P865080	EMI-F-CHIP - BLM18PG6	cfi
L7T02	409P865080	EMI-F-CHIP - BLM18PG6	cfi
L7T03	409P865080	EMI-F-CHIP - BLM18PG6	cfi
L8001	409P865080	EMI-F-CHIP - BLM18PG6	abdeghjkl
L8001	409P865080	EMI-F-CHIP - BLM18PG6	cfi
L8002	409P865080	EMI-F-CHIP - BLM18PG6	abdeghjkl
L8002	409P865080	EMI-F-CHIP - BLM18PG6	cfi
L8004	409P865080	EMI-F-CHIP - BLM18PG6	abdeghjkl
L8004	409P865080	EMI-F-CHIP - BLM18PG6	cfi

Ref #	Part #	Part Name & Description	[#]
L8005	409P865080	EMI-F-CHIP - BLM18PG6	abdeghjkl
L8005	409P865080	EMI-F-CHIP - BLM18PG6	cfi
L8006	409P865080	EMI-F-CHIP - BLM18PG6	abdeghjkl
L8006	409P865080	EMI-F-CHIP - BLM18PG6	cfi
L8007	409P865080	EMI-F-CHIP - BLM18PG6	abdeghjkl
L8007	409P865080	EMI-F-CHIP - BLM18PG6	cfi
L8008	409P865080	EMI-F-CHIP - BLM18PG6	abdeghjkl
L8008	409P865080	EMI-F-CHIP - BLM18PG6	cfi
L8009	409P777080	EMI-F-CHIP - BLM21P221S	
L8010	409P865080	EMI-F-CHIP - BLM18PG6	abdeghjkl
L8010	409P865080	EMI-F-CHIP - BLM18PG6	cfi
L8011	409P865080	EMI-F-CHIP - BLM18PG6	abdeghjkl
L8012	325C411030	COIL-CHIP - 10MH-J	abdeghjkl
L8014	409P865080	EMI-F-CHIP - BLM18PG6	abdeghjkl
L8015	409P865080	EMI-F-CHIP - BLM18PG6	abdeghjkl
L8016	409P865080	EMI-F-CHIP - BLM18PG6	abdeghjkl
L8017	409P865080	EMI-F-CHIP - BLM18PG6	abdeghjkl
L8018	409P865080	EMI-F-CHIP - BLM18PG6	abdeghjkl
L8019	409P865080	EMI-F-CHIP - BLM18PG6	abdeghjkl
L8020	409P865080	EMI-F-CHIP - BLM18PG6	abdeghjkl
L8021	409P865080	EMI-F-CHIP - BLM18PG6	abdeghjkl
L8022	409P865080	EMI-F-CHIP - BLM18PG6	abdeghjkl
L8030	325C501010	COIL-CHIP - ALQM21NNR47K10	abdeghjkl
L8080	409P865080	EMI-F-CHIP - BLM18PG6	cfi
L8202	409P777080	EMI-F-CHIP - BLM21P221S	
L8203	409P777080	EMI-F-CHIP - BLM21P221S	
L8206	351P265010	COIL-CHOKE-CHIP - ACM2012	
L8280	409P865080	EMI-F-CHIP - BLM18PG6	
L8301	409P865080	EMI-F-CHIP - BLM18PG6	
L8307	409P865080	EMI-F-CHIP - BLM18PG6	
L8313	409P865080	EMI-F-CHIP - BLM18PG6	
L8318	409P865080	EMI-F-CHIP - BLM18PG6	
L8353	325C501010	COIL-CHIP - ALQM21NNR47K10	cfi
L83F2	325C501010	COIL-CHIP - ALQM21NNR47K10	abdeghjkl
L83F5	325C501010	COIL-CHIP - ALQM21NNR47K10	abdeghjkl
L83F6	325C501010	COIL-CHIP - ALQM21NNR47K10	abdeghjkl
L8403	409P777080	EMI-F-CHIP - BLM21P221S	cfi
L8404	409P777080	EMI-F-CHIP - BLM21P221S	cfi
L8413	351P265020	COIL-CHIP - ACM2012-201-2P	cfi
L8414	351P265020	COIL-CHIP - ACM2012-201-2P	cfi
L8415	351P265020	COIL-CHIP - ACM2012-201-2P	cfi
L8416	351P265020	COIL-CHIP - ACM2012-201-2P	cfi
L8501	409P865080	EMI-F-CHIP - BLM18PG6	abdeghjkl
L8504	409P865090	EMI-F-CHIP - BLM11A121S	abdeghjkl
L8511	409P865090	EMI-F-CHIP - BLM11A121S	abdeghjkl
L8551	409P865080	EMI-F-CHIP - BLM18PG6	cfi
L8553	409P865090	EMI-F-CHIP - BLM11A121S	cfi
L8555	409P865090	EMI-F-CHIP - BLM11A121S	cfi
L8F01	409P777080	EMI-F-CHIP - BLM21P221S	abdeghjkl
L9A18	321C141010	COIL-RF - 6.8MH-M	
L9A20	321C141010	COIL-RF - 6.8MH-M	
L9A21	321C141010	COIL-RF - 6.8MH-M	
L9A34	321C141070	COIL-RF - 22MH-K	
L9A35	321C141070	COIL-RF - 22MH-K	
L9C51	409P777080	EMI-F-CHIP - BLM21P221S	abdeghjkl
L9C51	409P777080	EMI-F-CHIP - BLM21P221S	cfi
L9D01	351P306020	LINE-FILTER - TF3020V-A602Y5R0-01	
L9D02	351P266020	LINE-FILTER - ELF22V025A	
L9D03	351P286010	LINE-FILTER - HF2836-353Y1R0-T01	

**MODELS: WD-57733 / WD-65733 / WD-73733 / WD-57734 / WD-65734 / WD-73734 / WD-C657
WD-Y577 / WD-Y657 / WD-57833 / WD-65833 / WD-73833**

[#] Model Legend: (a) WD-57733, (b) WD-57734, (c) WD-57833, (d) WD-65733, (e) WD-65734, (f) WD-65833, (g) WD-73733, (h) WD-73734, (i) WD-73833, (j) WD-C657, (k) WD-Y577, (l) WD-Y657

Ref #	Part #	Part Name & Description	[#]
L9G00	409P777080	EMI-F-CHIP - BLM21P221S	abdeghijkl
L9G00	409P777080	EMI-F-CHIP - BLM21P221S	cfi
L9G01	351P316010	COIL-CHOKE-CHIP - PLC-0755-100	
L9G02	409P777080	EMI-F-CHIP - BLM21P221S	abdeghijkl
L9G02	409P777080	EMI-F-CHIP - BLM21P221S	cfi
L9G03	409P777080	EMI-F-CHIP - BLM21P221S	abdeghijkl
L9G03	409P777080	EMI-F-CHIP - BLM21P221S	cfi
L9G04	409P777080	EMI-F-CHIP - BLM21P221S	abdeghijkl
L9G04	409P777080	EMI-F-CHIP - BLM21P221S	cfi
L9G05	351P314010	COIL-CHOKE-CHIP - MPLC1040L2R2	
L9G06	409P777080	EMI-F-CHIP - BLM21P221S	abdeghijkl
L9G06	409P777080	EMI-F-CHIP - BLM21P221S	cfi
L9G07	409P777080	EMI-F-CHIP - BLM21P221S	abdeghijkl
L9G07	409P777080	EMI-F-CHIP - BLM21P221S	cfi
L9G08	409P777080	EMI-F-CHIP - BLM21P221S	abdeghijkl
L9G08	409P777080	EMI-F-CHIP - BLM21P221S	cfi
L9G09	409P777080	EMI-F-CHIP - BLM21P221S	abdeghijkl
L9G09	409P777080	EMI-F-CHIP - BLM21P221S	cfi
L9G10	409P777080	EMI-F-CHIP - BLM21P221S	abdeghijkl
L9G10	409P777080	EMI-F-CHIP - BLM21P221S	cfi
L9G11	409P777080	EMI-F-CHIP - BLM21P221S	abdeghijkl
L9G11	409P777080	EMI-F-CHIP - BLM21P221S	cfi
L9G12	351P315010	COIL-CHOKE-CHIP - PLC-0735-2R0	
L9G13	409P777080	EMI-F-CHIP - BLM21P221S	abdeghijkl
L9G14	409P777080	EMI-F-CHIP - BLM21P221S	abdeghijkl
L9G14	409P777080	EMI-F-CHIP - BLM21P221S	cfi
L9G16	409P777080	EMI-F-CHIP - BLM21P221S	cfi
L9G17	351P315010	COIL-CHOKE-CHIP - PLC-0735-2R0	cfi
L9G91	409P923060	EMI-F-CHIP - BLM21B272S	cfi
L9G98	409P777080	EMI-F-CHIP - BLM21P221S	cfi
T7C49	409P961010	CHIP-FILT - ACM2012D-9002P	
T7C54	409P961010	CHIP-FILT - ACM2012D-9002P	
T7C57	409P961010	CHIP-FILT - ACM2012D-9002P	
T7C60	409P961010	CHIP-FILT - ACM2012D-9002P	
	409P865020	BLM11A601S	abdeghijkl

TRANSFORMERS

T9A10 350P846010 TRANS-POWER - ER35TM086

VARISTORS

RV9D00 265P100020 VAR - ERZV10D271CS

RV9D01 265P100020 VAR - ERZV10D271CS

CHIP RESISTORS (by value)

Part No.	Value	Part No.	Value
103P509050	1/16W 0OHM	103P502040	1/16W 820-J
103P409050	1/8W 0OHM	103P492050	1/16W 1K-F
103P408040	1/10W 2.2-J	103P502050	1/16W 1K-J
103P508040	1/16W 2.2-J	103P492060	1/16W 1.1K-F
103P408060	1/10W 3.3-J	103P502060	1/16W 1.2K-J
103P488080	1/4W 4.7-J	103P492080	1/16W 1.3K-F
103P500010	1/16W 10-J	103P492090	1/16W 1.5K-F
103P990010	1/16W 10-JX4	103P493030	1/16W 2.2K-F
103P480010	1/4W 10-J	103P502090	1/16W 2.2K-J
103P500030	1/16W 15-J	103P493040	1/16W 2.4K-F
103P400050	1/10W 22-J	103P503000	1/16W 2.7K-J
103P500050	1/16W 22-J	103P493020	1/16W 2K-F
103P480050	1/4W 22-J	103P493070	1/16W 3.3K-F

Ref #	Part #	Part Name & Description	[#]	
	Part No.	Value	Part No.	Value
	103P990050	1/16W 22-JX4	103P503010	1/16W 3.3K-J
	103P500060	1/16W 27-J	103P493060	1/16W 3K-F
	103P500070	1/16W 33-J	103P494000	1/16W 4.3K-F
	103P990070	1/16W 33-JX4	103P494010	1/16W 4.7K-F
	103P793080	1/16W 36F	103P503030	1/16W 4.7K-J
	103P794010	1/16W 47-F	103P494020	1/16W 5.1K-F
	103P500090	1/16W 47-J	103P494030	1/16W 5.6K-F
	103P844030	1/16W 56-D	103P503040	1/16W 5.6K-J
	103P501000	1/16W 56-J	103P494040	1/16W 6.2K-F
	103P991010	1/16W 56-JX4	103P494050	1/16W 6.8K-F
	103P401000	1/10W 56-J	103P503060	1/16W 8.2K-J
	103P501010	1/16W 68-J	103P403070	1/8W 10K-J
	103P509090	1/16W 75-J	103P494090	1/16W 10K-F
	103P501020	1/16W 82-J	103P503070	1/16W 10K-J
	103P991030	1/16W 82-JX4	103P994010	1/16W 10K-JX4
	103P401030	1/10W 100-J	103P495010	1/16W 12K-F
	103P490010	1/16W 100F	103P503080	1/16W 12K-J
	103P501030	1/16W 100-J	103P503090	1/16W 15K-J
	103P991040	1/16W 100-JX4	103P495050	1/16W 18K-F
	103P401050	1/10W 150-J	103P404000	1/8W 18K-J
	103P501050	1/16W 150-J	103P495070	1/16W 22K-F
	103P501060	1/16W 180-J	103P504010	1/16W 22K-J
	103P490080	1/16W 200-F	103P496010	1/16W 33K-F
	103P490090	1/16W 220-F	103P504030	1/16W 33K-J
	103P501070	1/16W 220-J	103P504040	1/16W 39K-J
	103P501080	1/16W 270-J	103P504050	1/16W 47K-J
	103P491020	1/16W 300-F	103P496060	1/16W 51K-F
	103P401090	1/10W 330-J	103P496070	1/16W 56K-F
	103P491030	1/16W 330-F	103P496090	1/16W 68K-F
	103P501090	1/16W 330-J	103P504080	1/16W 82K-J
	103P491050	1/16W 390-F	103P504090	1/16W 100K-J
	103P502000	1/16W 390-J	103P505000	1/16W 120K-J
	103P491070	1/16W 470-F	103P505020	1/16W 180K-J
	103P502010	1/16W 470-J	103P505030	1/16W 220K-J
	103P502020	1/16W 560-J	103P498030	1/16W 270K-F
	103P492000	1/16W 620-F	103P505050	1/16W 330K-J
	103P492010	1/16W 680-F	103P506000	1/16W 820K-J
	103P502030	1/16W 680-J	103P506010	1/16W 1M-J
	103P492020	1/16W 750-F		

RESISTORS

Conventional Resistors (By Ref #)

Ref #	Part #	Part Name & Description	[#]
R1510	103C398000	R-METAL-P - 3W 1-K	cfi
R8072	103P711030	R-CARBON - 1/4W 100-J	cfi
R9A01	109P179020	R-CEMT-PLT - 1.8 OHM-J	
R9A02	109P179020	R-CEMT-PLT - 1.8 OHM-J	
R9A03	109C010010	R-COMP - 1/2W 1M-K	
R9A05	109C010010	R-COMP - 1/2W 1M-K	
R9A06	109C010010	R-COMP - 1/2W 1M-K	
R9A09	103P145030	R-CARBON - 1/2W 220K-J	
R9A11	103P145030	R-CARBON - 1/2W 220K-J	
R9A17	103P145020	R-CARBON - 1/2W 180K-J	
R9A19	103P144070	R-CARBON - 1/2W 68K-J	
R9A20	103P144070	R-CARBON - 1/2W 68K-J	
R9A21	103C187050	R-METAL - 2W 0.39-J	
R9A22	103C187050	R-METAL - 2W 0.39-J	

**MODELS: WD-57733 / WD-65733 / WD-73733 / WD-57734 / WD-65734 / WD-73734 / WD-C657
WD-Y577 / WD-Y657 / WD-57833 / WD-65833 / WD-73833**

[#] Model Legend: (a) WD-57733, (b) WD-57734, (c) WD-57833, (d) WD-65733, (e) WD-65734, (f) WD-65833, (g) WD-73733, (h) WD-73734, (i) WD-73833, (j) WD-C657, (k) WD-Y577, (l) WD-Y657

Ref #	Part #	Part Name & Description	[#]
R9A25	103P142060	R-CARBON - 1/2W 1.2K-J	
R9A30	109D151060	R-CARBON - 1/4W 68-J	
R9A42	103P145030	R-CARBON - 1/2W 220K-J	
R9A43	103P145030	R-CARBON - 1/2W 220K-J	
R9A76	103P143010	R-CARBON - 1/2W 3.3K-J	
R9A77	103P143010	R-CARBON - 1/2W 3.3K-J	
R9A78	103P143010	R-CARBON - 1/2W 3.3K-J	
R9A82	103C390050	R-METAL-P - 3W 22-J	
R9A83	103P144070	R-CARBON - 1/2W 68K-J	

CHIP CAPACITORS (by value)

Part No.	Value	Part No.	Value
154P340040	50V 3P-C	141P139030	B25V 0.1M-K
154P340060	CK50V 5P-C	141P144020	F25V 0.1M-Z
154P340090	CH50V 8P-C	141P134090	F50V 0.1M-Z
154P341010	CH50V 10P-C	141P135080	F50V/25V 0.1M-Z
154P341030	CH50V 12P-J	141P146040	B10V 0.22M-K
154P341050	CH50V 15P-J	141P138080	B25V 0.33M-K
154P341070	CH50V 18P-J	141P144040	F25V/16V 0.33M-Z
154P341090	CH50V 22P-J	141P144050	F16V 0.47M-Z
154P342010	CH50V 27P-J	141P134070	B16V 1M-K
154P342070	CH50V 47P-J	141P148000	B25V 1M-K
154P342090	CH50V 56P-J	141P135070	F16V 1M-Z
154P343050	CH50V 100P-J	141P144060	F25V 1M-Z
154P353060	SL50V 100P-J	181P836010	50V 1M-M
154P344030	CH50V 220P-J	181P808070	16V 4.7M-M
154P354040	SL50V 220P-J	141P147060	B6.3V 4.7M-K
154P344050	CH50V 270P-J	181P802030	16V 10M-M
154P345010	CH50V 470P-J	189P253020	B16V 10M-M
154P335010	CH50V 470P-J	181P822030	16V 10M-M 105C
154P345010	CH50V 470P-J	181P825000	35V 10M-M 105C
141P140050	B50V 470P-K	189P253010	B6.3V 10M-M
154P345030	CH25V 560P-J	181P826050	50V 10M-M 105C
141P140090	B50V 1000P-K	189P243010	6.3Vv-10M
154P345090	CH25V 1000P-J	189P243050	M-16v-10M
141P141010	B50V 1500P-K	181P822040	16V 22M-M 105C
141P141030	B50V 2200P-K	181P805010	35V 22M-M LFR
141P141060	B50V 3900P-K	181P820010	6.3V 22M-M 105C
141P142000	B50V 8200P-K	181P800010	6.3V 22M-M LFR
141P142010	B50V 0.01M-K	181P802060	16V 47M-M
141P133080	B50V 0.01M-Z	181P800030	6.3V 47M-M
141P143080	F50V 0.01M-Z	181P822060	16V 47M-M 105C
141P132030	B50V 0.015M-K	181P820030	6.3V 47M-M 105C
141P142050	B25V 0.022M-K	181P822070	16V 100M-M 105C
141P142070	B25V 0.033M-K	181P802070	16V 100M-M
141P142090	B25V 0.047M-K	181P828000	4V 100M-M 105C
141P143020	B16V 0.082M-K	181P800060	6.3V 220M-M
141P147020	B10V/6.3V 1M-K	181P828010	4V 220M-M 105C
141P143030	B16V 0.1M-K	141P140030	B50V 330P-K

CAPACITORS AND TRIMMERS

Conventional Capacitors (By Ref #)

Ref #	Part #	Part Name & Description	[#]
C3E26	181P354090	C-ELEC - 35V 470M-M	
C3E27	181P354090	C-ELEC - 35V 470M-M	
C3E65	181P735030	C-ELEC - 25V 1000M-M 105C	
C3E69	181P735030	C-ELEC - 25V 1000M-M 105C	
C7N01	181P352030	C-ELEC - 16V 47M-M	

Ref #	Part #	Part Name & Description	[#]
C7N21	181P355050	C-ELEC - 50V 10M-M	bcefhikl
C7N23	181P352030	C-ELEC - 16V 47M-M	bcefhikl
C7N28	181P352040	C-ELEC - 16V 100M-M	bcefhikl
C8281	189P252010	C-ELE-DBL-LYR - EECSE0H473	
C9A00	189P185090	C-CER - AC250V E2200P-M	
C9A01	189P185090	C-CER - AC250V E2200P-M	
C9A02	185D122040	C-ELEC - H200V 820M-M	
C9A03	185D122040	C-ELEC - H200V 820M-M	
C9A05	189P185090	C-CER - AC250V E2200P-M	
C9A06	189P185090	C-CER - AC250V E2200P-M	
C9A08	189P185090	C-CER - AC250V E2200P-M	
C9A09	189P185090	C-CER - AC250V E2200P-M	
C9A10	189P185090	C-CER - AC250V E2200P-M	
C9A11	189P185090	C-CER - AC250V E2200P-M	
C9A13	189P152080	C-M-POLY - AC125/250V 0.015M-M	
C9A14	189P152080	C-M-POLY - AC125/250V 0.015M-M	
C9A19	154P400050	C-CER - B1KV 1000P-K	
C9A21	181P185060	C-ELEC - 50V 10M-M 105C	
C9A27	185D122040	C-ELEC - H200V 820M-M	
C9A30	154P400050	C-CER - B1KV 1000P-K	
C9A33	181P734000	C-ELEC - 16V 2200M-M 105C	
C9A34	181P734000	C-ELEC - 16V 2200M-M 105C	
C9A35	181P734000	C-ELEC - 16V 2200M-M 105C	
C9A39	181P184070	C-ELEC - 35V 2200M-M	
C9A46	142P010090	C-CER - B500V 470P-K	
C9A47	181P351070	C-ELEC - 10V 470M-M	
C9A48	181P355010	C-ELEC - 50V 1M-M	
C9A54	181P733080	C-ELEC - 16V 1000M-H 105C LOWR	
C9A70	172P088040	C-PLSTIC-PP - 630V 3300P-J	
C9D01	189P153060	C-M-POLY-AC - AC125/250V 0.22M-M	
C9D03	189P153060	C-M-POLY-AC - AC125/250V 0.22M-M	
C9D07	189P153060	C-M-POLY-AC - AC125/250V 0.22M-M	
C9G15	181P732000	C-ELEC - 10V 680M-M 105C	
C9G26	181P732000	C-ELEC - 10V 680M-M 105C	
C9G43	181P732000	C-ELEC - 10V 680M-M 105C	
C9G57	181P732000	C-ELEC - 10V 680M-M 105C	cfi

SWITCHES

S7L01	432P109010	SW-KEY BOARD - KSHS611BT
S7L11	432P109010	SW-KEY BOARD - KSHS611BT
S7L12	432P109010	SW-KEY BOARD - KSHS611BT
S7L13	432P109010	SW-KEY BOARD - KSHS611BT
S7L14	432P109010	SW-KEY BOARD - KSHS611BT
S7L15	432P109010	SW-KEY BOARD - KSHS611BT
S7L16	432P109010	SW-KEY BOARD - KSHS611BT
S7L17	432P109010	SW-KEY BOARD - KSHS611BT
S7L18	432P109010	SW-KEY BOARD - KSHS611BT
S7L19	432P109010	SW-KEY BOARD - KSHS611BT

FUSES

F9A00	283P144080	FUSE - 125V 5A
F9A01	283P144080	FUSE - 125V 5A
F9A02	283P144080	FUSE - 125V 5A
F9D00	283D161010	FUSE - 125V 10A
F9G00	283P170030	FUSE-CHIP - F0603FA 2000V032T
F9G01	283P170090	FUSE-CHIP - F0603FA 6000V024T
F9G02	283P170030	FUSE-CHIP - F0603FA 2000V032T

**MODELS: WD-57733 / WD-65733 / WD-73733 / WD-57734 / WD-65734 / WD-73734 / WD-C657
WD-Y577 / WD-Y657 / WD-57833 / WD-65833 / WD-73833**

[#] Model Legend: (a) WD-57733, (b) WD-57734, (c) WD-57833, (d) WD-65733, (e) WD-65734, (f) WD-65833, (g) WD-73733, (h) WD-73734,
(i) WD-73833, (j) WD-C657, (k) WD-Y577, (l) WD-Y657

Ref #	Part #	Part Name & Description	[#]
MISCELLANEOUS ELECTRICAL			
Cables			
	242D573020	USB CABLE	abdeghjkl
	242D573030	USB CABLE	cfi
	242D574010	HDMI CABLE-INTERNAL	bcefnhkl
	246C351060	AC POWER CORD	
	246C578010	CABLE-DVI	
	761D993010	LED-POWER-EXTENDER	abdeghjkl
Fans			
	299P310020	FAN-EXHAUST	
	299P321010	FAN-SCIROCCO (Ballast)	
	299P322010	FAN-DMD	
Relays			
K9A10	287P111030	RELAY-POWER - LKS1AF-12V	
K9A20	287P111050	RELAY-POWER - LKT1AF-12V	
K9A21	287P111030	RELAY-POWER - LKS1AF-12V	
RE100	305P706020	SWITCH-RF TYPE BABY	cfi
RE101	305P706020	SWITCH-RF TYPE BABY	abdeghjkl
Photo Couplers			
PC9A10	268P125010	PHOTO-COUPLER	
PC9A20	268P125010	PHOTO-COUPLER	
Optical Engines			
	938P075010	OPTICAL-ENGINE - 57"	ak
	938P075020	OPTICAL-ENGINE - 65"	djl
	938P075040	OPTICAL-ENGINE - 57" w/DB	bc
	938P075050	OPTICAL-ENGINE - 65" w/DB	ef
	928P075030	OPTICAL-ENGINE - 73"	g
	938P075060	OPTICAL-ENGINE-73" w/DB	hi
Lamp			
	915P061010	LAMP-CARTRIDGE	
Tuners			
TU100	295P544010	NTSC/ATSC TUNER	cfi
TU101	295P544010	NTSC/ATSC TUNER	abdeghjkl
Quartz Crystals			
X1500	285P459080	QTZ-CRYST - 25.140MHZ	cfi
X2001	285P459090	QTZ-CRYST - 28.322MHZ	
X2M01	285P387010	QTZ-CRYST - 24.576MHZ	cfi
X2N01	285P387010	QTZ-CRYST - 24.576MHZ	cfi
X3P01	285P481020	QTZ-CRYST - 12.288MHZ	
X7A01	285P403020	QTZ-CRYST - 32.768MHZ	
X7A02	285P481010	QTZ-CRYST - 12.000MHZ	
X7G00	285P391040	CRYSTAL-OSC - 74.25MHZ	
X7R01	285P459030	QTZ-CRYST - 10MHZ	cfi
X8001	285P464020	QTZ-CRYST - 26.1621MHZ	cfi
X8001	285P479030	QTZ-CRYST - 55.474MHZ	abdeghjkl
X80T0	285P459080	QTZ-CRYST - 25.140MHZ	abdeghjkl
X8201	285P403020	QTZ-CRYST - 32.768MHZ	
X8301	285P464010	QTZ-CRYST - 7.3728MHZ	
X8403	285P464040	QTZ-CRYST - 24.576MHZ	cfi
X8501	285P464030	QTZ-CRYST - 18.24MHZ	
Connectors			
J3S01	440P115010	PIN-JACK-BOARD-1P	
J7C00	452C371020	CONNECTOR-DVI	
J8401	451P248010	JACK-1394	cfi
PJ2E00	451C268010	JACK-IR BLASTER	bcefnhkl
PJ2J01	440C454010	PIN-JACK-BOARD-4P-2S	
PJ2J02	440C453010	PIN-JACK-BOARD-5P-2S	

Ref #	Part #	Part Name & Description	[#]
PJ2J03	440C470010	PIN-JACK-BOARD-4P	
PJ2J04	440C470020	PIN-JACK-BOARD-4P	cfi
PJ7M11	440C471010	PIN-JACK-BOARD-5P	abcdehijkl
PJ7S11	440C472010	PIN-JACK-BOARD-3P	j
US	452C401010	CONNECTOR-USB	
Other			
	411D044020	CORE-FERRITE - ZCAT2032-0930	abdeijkl
	411D062010	CORE-FERRITE - ZCAT1518-0730	abdeghijkl
	411P029010	CORE-FERRITE - ZCAT3513S	abdeijkl
	411P030010	CORE-FERRITE - ZCAT1325-0530A	abdeijkl
	434P004010	LAMP SWITCH	
	299P323010	SENSOR-TEMPERATURE	
	480P084010	SPEAKER - 4 OHM 10W	
AG9D00	299P220020	SURGE-SUPRESOR - DSS-302M	
Z7N01	938P078010	UNIT-PREAMP	
MISCELLANEOUS Cabinet/Mechanical			
	761A354010	BASE-COMMON	abcdeijkl
	761A371010	BASE-COMMON	ghiz
	750A609010	BOX-MIRROR	abck
	750A611010	BOX-MIRROR	defijl
	750A638010	BOX-MIRROR	gh
	704B227010	BUTTON-POWER	abdeghkl
	704B229010	BUTTONS-CONTROL	ghi
	761A355010	COVER-BACK	abdeijkl
	761A355020	COVER-BACK	cf
	761A359010	COVER-BACK	gh
	761A359020	COVER-BACK	i
	594A038010	COVER-CHASSIS-REAR	adg
	594A038020	COVER-CHASSIS-REAR	behkl
	594A038040	COVER-CHASSIS-REAR	j
	594A042010	COVER-CHASSIS-REAR	cfi
	761B478010	COVER-LAMP	
	761B471010	COVER-PORTHOLE	
	761A362010	COVER-SERVICE-PORT	
	761B472010	COVER-SPEAKER	abdeghijkl
	761B469020	DOOR-FRONT	be
	761B469030	DOOR-FRONT	kl
	761B475020	DOOR-FRONT	h
	761B476010	DOOR-FRONT	i
	761B480010	DOOR FRONT	cf
	622C544010	HOLDER-BUTTON-POWER	cf
	622D484010	HOLDER-LED	
	621B186010	HOLDER-SBL-R	f
	621B186020	HOLDER-SBL-L	f
	621B191010	HOLDER-SBL-R	c
	621B191020	HOLDER-SBL-L	c
	761C788010	LED-SBL LENS-R	fi
	761C788020	LED-SBL LENS-L	fi
	761C788030	LED-SBL LENS-R	c
	761C788040	LED-SBL LENS-L	c
	767D084010	MIRROR - 57"	abck
	767D084020	MIRROR - 65"	def
	767D084030	MIRROR - 73"	ghi
	767D085020	MIRROR - 65" (C-Y)	jl
	771D127010	PAD - CABINET BTM	
	761B468010	PANEL-CONTROL	abcdeijkl
	761B474030	PANEL-FRONT-R	h

**MODELS: WD-57733 / WD-65733 / WD-73733 / WD-57734 / WD-65734 / WD-73734 / WD-C657
WD-Y577 / WD-Y657 / WD-57833 / WD-65833 / WD-73833**

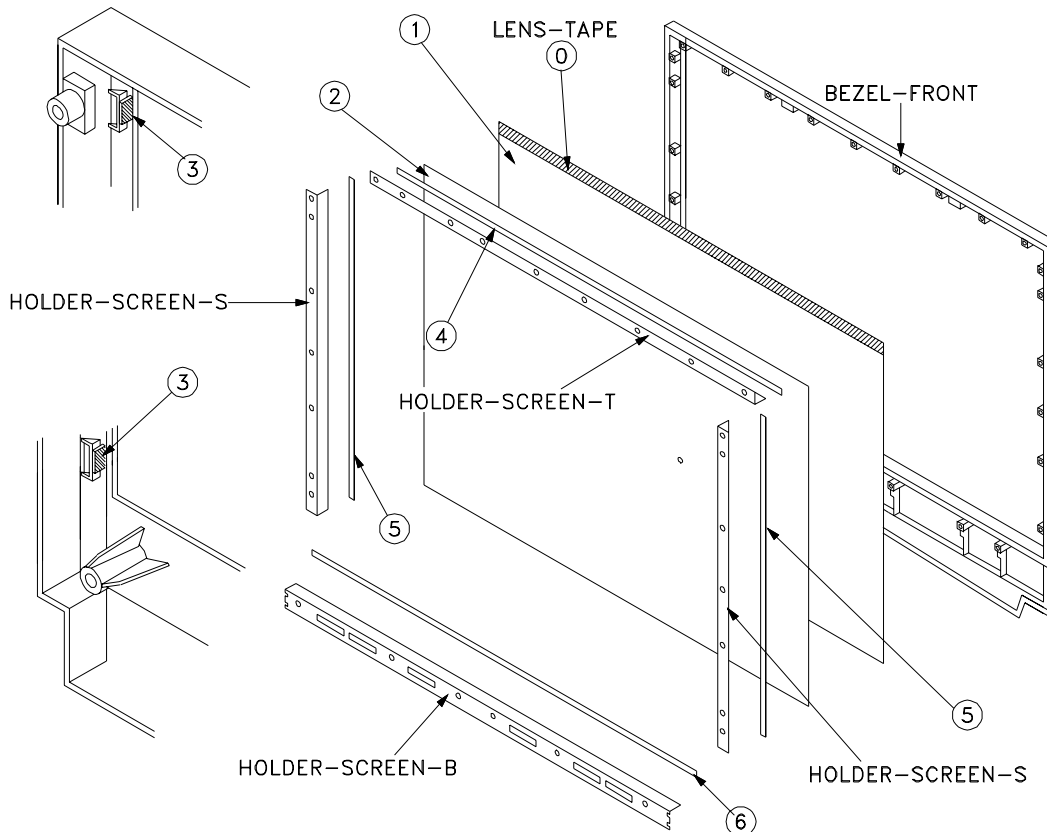
[#] Model Legend: (a) WD-57733, (b) WD-57734, (c) WD-57833, (d) WD-65733, (e) WD-65734, (f) WD-65833, (g) WD-73733, (h) WD-73734, (i) WD-73833, (j) WD-C657, (k) WD-Y577, (l) WD-Y657

Ref #	Part #	Part Name & Description	[#]
	761B474040	PANEL-FRONT-L	h
	761B483010	SPEAKER-COVER	cfi
	572C013010	SPRING-DOOR	bcefhkl
	572C015010	SPRING-DOOR	i
	LENS-TAPE	TAPE-LENS	
PRINTED CIRCUIT BOARDS			
	934C259001	ASSY-PWB-TERMINAL	abdeghjkl
	934C259002	ASSY-PWB-TERMINAL-V38	cfi
	934C260001	ASSY-PWB-MAIN-V37Y	behkl
	934C260002	ASSY-PWB-MAIN-V36	adg
	934C260003	ASSY-PWB-MAIN-C	j
	934C261001	ASSY-PWB-POWER-V36-V38	
	934C265001	ASSY-PWB-MAIN-V38	cfi
	934C266001	ASSY-PWB-SBL-R	c
	934C266002	ASSY-PWB-SBL-R	fi
	934C269001	ASSY-PWB-SBL-L	c
	934C269002	ASSY-PWB-SBL-L	fi
	935D936001	ASSY-PWB-FRONT1	abcdeghijkl
	935D937001	ASSY-PWB-PREAMP	adgj
	935D937002	ASSY-PWB-PREAMP	bcefhkl
	935D938001	ASSY-PWB-HDMI-FRNT	bcefhkl
	935D940001	ASSY-PWB-CONT1	
	935D941001	ASSY-PWB-LED	
	935D942001	ASSY-PWB-SW-LAMP	
	935D951001	ASSY-PWB-FRONT2	j
	938P076010	UNIT-LAMP-BALLAST	
COSMETIC PARTS			
	716C044010	BADGE-BRAND	abdeghjkl
	716C047010	BADGE-DIAMOND	cfi
	716C053010	BADGE-BRAND	cfi
	760C798010	INLAY-FRONT-CONTROL	abcdehkl

Ref #	Part #	Part Name & Description	[#]
	760C799010	INLAY-FRONT-INPUT	ad
	760C799020	INLAY-FRONT-INPUT	bcefhkl
	760C799030	INLAY-FRONT-INPUT	j
	760C803010	INLAY-CONTROL	ghi
	760C804010	INLAY-INPUT	g
	760C804020	INLAY-INPUT	hi
	760C806010	INLAY-LED-RIGHT	i
	760C806020	INLAY-LED-LEFT	i
	760D666010	INLAY-LED-RIGHT	c
	760D666020	INLAY-LED-LEFT	c
	760D667010	INLAY-LED-RIGHT	f
	760D667020	INLAY-LED-LEFT	f
	761B479030	ORNAMENT-BEZEL-L	b
	761B479040	ORNAMENT-BEZEL-R	b
	761B479050	ORNAMENT-BEZEL-L	k
	761B479060	ORNAMENT-BEZEL-R	k
ACCESSORIES			
	242D483020	IR-EMITTER	behkl
	299P254010	IR-EMITTER 4-HEAD - T-IR-0	cfi
	246C582010	CABLE-3D-GAME	cfi
	290P137010	REMOTE-CONTROL - V33/V33+	abdeghijkl
	290P137020	REMOTE-CONTROL-V38	cfi
	I/B WD57733	IB PCTV	abdeghijkl
	I/B WD57833	IB PCTV-V38	cfi
	I/QR WD57733	QR GUIDE	abdeghijkl
	I/QR WD57833	QR GUIDE-V38	cfi
	I/Q WD57733	QUICK CONNECT GUIDE	abdeghijkl
	I/Q WD57833	QUICK CONNECT GUIDE-V38	cfi

SCREEN PARTS

Ref #	Part #	Part Name & Description	Ref #	Part #	Part Name & Description
WD-57733 & WD-57734			WD-Y577		
<u>Ref #</u>	<u>Part #</u>	<u>Part Name</u>	<u>Ref #</u>	<u>Part #</u>	<u>Part Name</u>
(0)	LENS-TAPE	TAPE-LENS	(0)	LENS-TAPE	TAPE-LENS
(1)	491P206050	LENS-FRESNEL	(1)	491P206050	LENS-FRESNEL
(2)	491P207050	SCREEN-LENTICULAR	(2)	491P207050	SCREEN-LENTICULAR
(3)	622C487040	SPACER-BEZEL-CORNER	(3)	622C487040	SPACER-BEZEL-CORNER
(4)	622C536010	SPACER-SCREEN-T	(4)	622C536010	SPACER-SCREEN-T
(5)	622C537010	SPACER-SCREEN-S	(5)	622C537010	SPACER-SCREEN-S
(6)	622C550010	SPACER-SCREEN-B	(6)	622C550010	SPACER-SCREEN-B
	761A352010	BEZEL-FRONT (WD-57733)		761A352020	BEZEL-FRONT (WD-Y577)
	761A352020	BEZEL-FRONT (WD-57734)			
WD-57833			WD-65733 & WD-65734		
<u>Ref #</u>	<u>Part #</u>	<u>Part Name</u>	<u>Part #</u>	<u>Part Name</u>	
(0)	LENS-TAPE	TAPE-LENS	(0)	LENS-TAPE	TAPE-LENS
(1)	491P206050	LENS-FRESNEL	(1)	491P208050	SCREEN-LENTICULAR (Type A - see next page for ID)
(2)	491P207050	SCREEN-LENTICULAR	(1)	491P207070	SCREEN-LENTICULAR (Type B - see next page for ID)
(3)	622C487040	SPACER-BEZEL-CORNER	(2)	491P206040	LENS-FRESNEL (Type A - see next page for ID)
(4)	622C536010	SPACER-SCREEN-T	(2)	491P206060	LENS-FRESNEL (Type B - see next page for ID)
(5)	622C537010	SPACER-SCREEN-S	(3)	622C487040	SPACER-BEZEL-CORNER
(6)	622C550010	SPACER-SCREEN-B	(4)	622C536030	SPACER-SCREEN-T (Type A - match w/Lens)
	761B481010	ESCUTCHEON-R	(5)	622C537030	SPACER-SCREEN-S (Type A - match w/Lens)
	761B481020	ESCUTCHEON-L	(6)	622C550030	SPACER-SCREEN-B (Type A - match w/Lens)
	761A360010	BEZEL-FRONT (WD-57833)	(4)	622C536040	SPACER-SCREEN-T (Type B - match w/Lens)
			(5)	622C537040	SPACER-SCREEN-S (Type B - match w/Lens)
			(6)	622C550040	SPACER-SCREEN-B (Type B - match w/Lens)
				761A353010	BEZEL-FRONT (WD-65733)
				761A353020	BEZEL-FRONT (WD-65734)



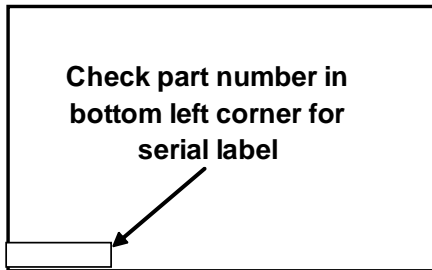
SCREEN PARTS (continued)

Ref #	Part #	Part Name & Description	Ref #	Part #	Part Name & Description
WD-65833					
Ref #	Part #	Part Name			
(0)	LENS-TAPE	TAPE-LENS	(4)	622C536030	SPACER-SCREEN-T (Type A - match w/Lens)
(1)	491P206040	LENS-FRESNEL	(5)	622C537030	SPACER-SCREEN-S (Type A - match w/Lens)
(2)	491P208050	SCREEN-LENTICULAR	(6)	622C550030	SPACER-SCREEN-B (Type A - match w/Lens)
(3)	622C487040	SPACER-BEZEL-CORNER	4)	622C536040	SPACER-SCREEN-T (Type B - match w/Lens)
(4)	622C536040	SPACER-SCREEN-T	(5)	622C537040	SPACER-SCREEN-S (Type B - match w/Lens)
(5)	622C537040	SPACER-SCREEN-S	(6)	622C550040	SPACER-SCREEN-B (Type B - match w/Lens)
(6)	622C550040	SPACER-SCREEN-B	WD-73733, WD-73734 & WD-73833		
	761B482010	SCREEN-ESCUTCHEON-R	Ref #	Part #	Part Name
	761B482020	SCREEN-ESCUTCHEON-L	(0)	LENS-TAPE	TAPE-LENS
	761A361010	BEZEL-FRONT (WD-65833)	(1)	491P206070	LENS-FRESNEL
			(2)	491P208020	SCREEN-LENTICULAR
			(3)	622C487010	SPACER-BEZEL-CORNER
			(4)	622C536050	SPACER-SCREEN-T
			(5)	622C537050	SPACER-SCREEN-S
			(6)	622C538050	SPACER-SCREEN-B
				761B489010	SCREEN-ESCUTCHEON-R (WD-73833)
				761B489020	SCREEN-ESCUTCHEON-L (WD-732833)
				761A356010	BEZEL-FRONT (WD-73377)
				761A356020	BEZEL-FRONT (WD-73374)
				762A357010	BEZEL-FRONT (WD-73833)
WD-C657 & WD-Y657					
Ref #	Part #	Part Name			
(0)	LENS-TAPE	TAPE-LENS			
(1)	491P208050	SCREEN-LENTICULAR (Type A - see below for ID)			
(1)	491P207070	SCREEN-LENTICULAR (Type B - see below for ID)			
(2)	491P206040	LENS-FRESNEL (Type A - see below for ID)			
(2)	491P206060	LENS-FRESNEL (Type B - see below for ID)			
(3)	622C487040	SPACER-BEZEL-CORNER			

IDENTIFICATION OF FRESNEL AND LENTICULAR (65" models only)

There are 2 types of Fresnel and Lenticulars. Same type should be used when replacing. Before ordering the replacement part, verify the part number from the original. (If both Lens and Screen are being replaced to a new type, then spacers must also be replaced)

LEN-FRESNEL/SCREEN-LENTICULAR



X represents a letter that may vary. Ignore it.

Example of serial label

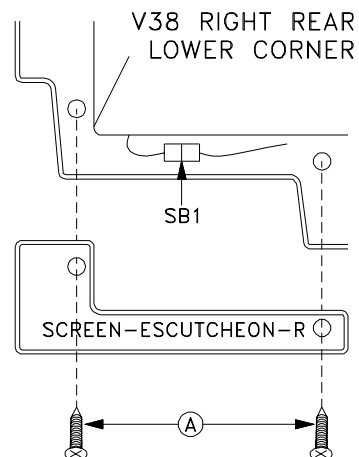
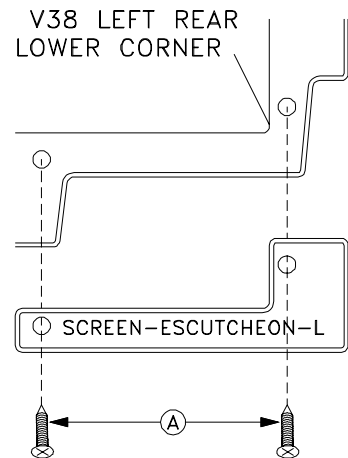
491P206X60 0001 DNP

Part Number

Serial

65" Screen Type Identification

SCREEN PART	ID NUMBER	TYPE
SCREEN -LENTICULAR	491P208X50	A
LENS-FRESNEL	491P206X40	A
SCREEN -LENTICULAR	491P207X70	B
LENS-FRESNEL	491P206X60	B



MIRROR KIT PARTS LIST

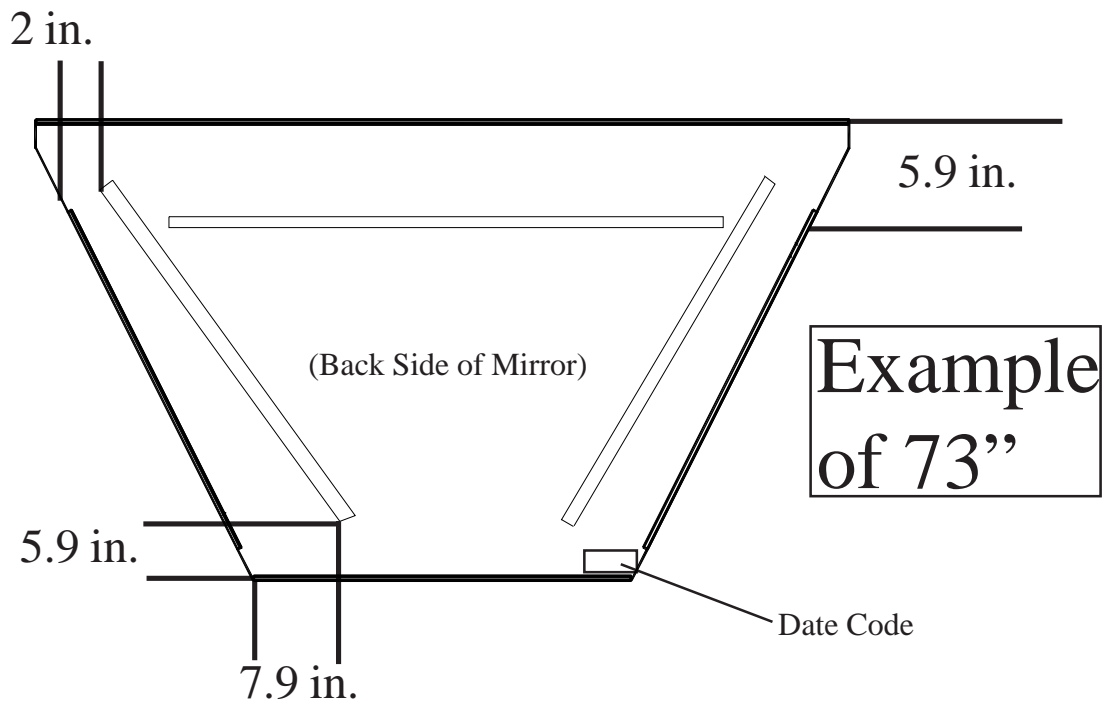
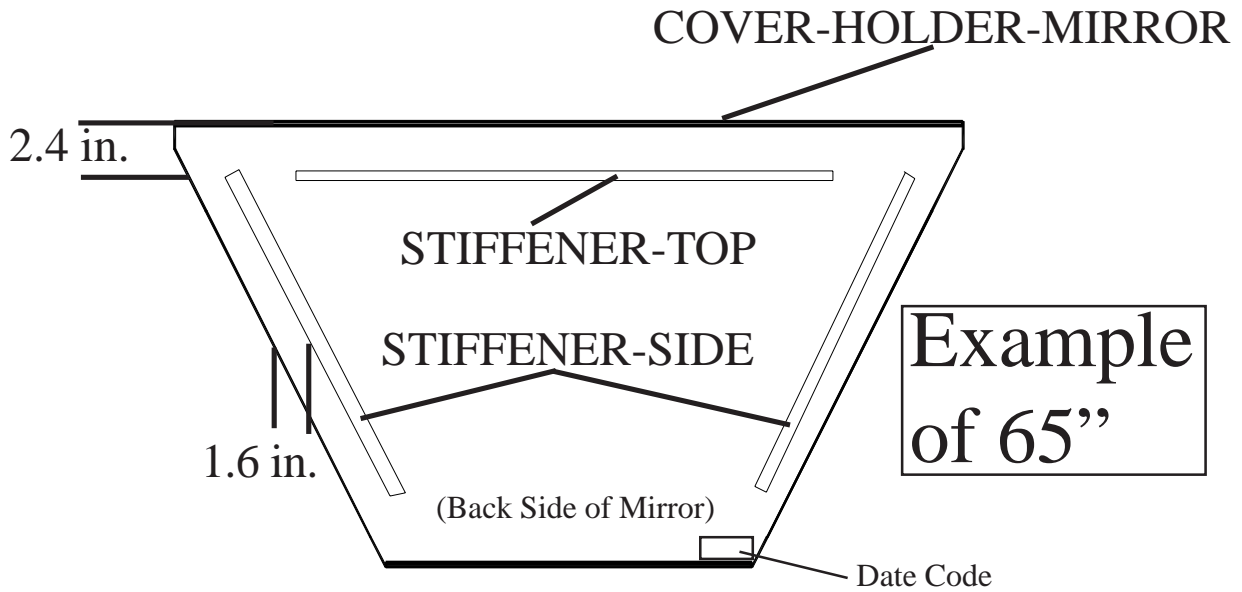
Model	KIT	Description	Part #	QTY
WD-Y577 WD-57733 WD-57734 WD-57833	KIT-MIR 767D084010	MIRROR	767D084010	1
		STIFFENER, 850mm (33.7") (TOP)	601D001050	1
		COVER-HOLDER-MIRROR	621B189010	1
		HOLDER-MIRROR-EDGE (BTM)	623D439010	1
		HOLDER-MIRROR-EDGE (SIDE)	623D439020	2
WD-C657 WD-Y657 WD-65733 WD-65734 WD-65833	KIT-MIR 767D084020	MIRROR	767D084020	1
		STIFFENER, 703mm (27.9") (SIDE)	601D001030	2
		STIFFENER, 1100mm (43.3") (TOP)	601D001040	1
		COVER-HOLDER-MIRROR	621B189020	1
		MIRROR	767D084030	1
WD-73733 WD-73734 WD-73833	KIT-MIR 767D084030	STIFFENER, 1100mm (43.3") (TOP)	601D001040	1
		STIFFENER, 850mm (33.6") (SIDE)	601D001050	2
		COVER-HOLDER-MIRROR	623D439030	1
		HOLDER-MIRROR-EDGE (SIDE/BTM)	623D439040	3

Screen Size	Part #	Description	Detail
57" / 65" / 73"	621B182030	HOLDER-MIRROR-SIDE	LEFT
	621B182040	HOLDER-MIRROR-SIDE	RIGHT
57	593B259010	HOLDER-MIRROR-TOP	
65	593B259020	HOLDER-MIRROR-TOP	
73	593B268010	HOLDER-MIRROR-TOP	

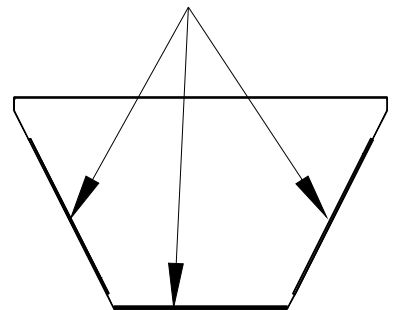
Mirror Installation

Mirror-1: Prepare mirror for installation by adding STIFFENERS to back of mirror using the pre-applied double sided tape. Back of mirror is identified by the label/ink in the lower right corner.

	Side Stiffener	Top Stiffener
57" Models	N/A	2.4 in. from TOP Edge
65" Models	1.6 in. from SIDE Edge	2.4 in. from TOP Edge
73" Models	5.9 in. from BOTTOM Edge, 7.9 in. from SIDE-BOTTOM and taper to 1.0 in. from SIDE near TOP	5.9 in. from TOP Edge



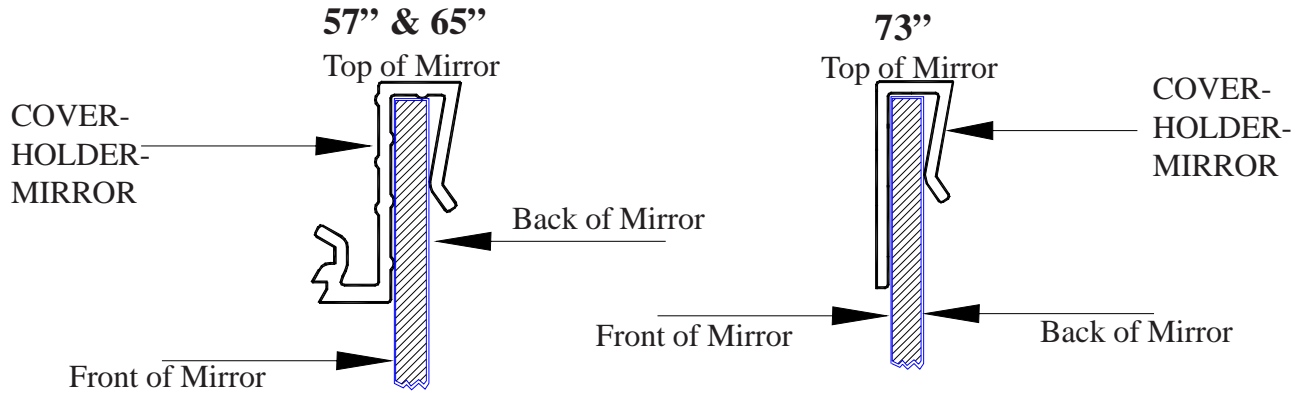
Mirror-2: Install HOLDER-MIRROR-EDGE to 57" and 73" models.



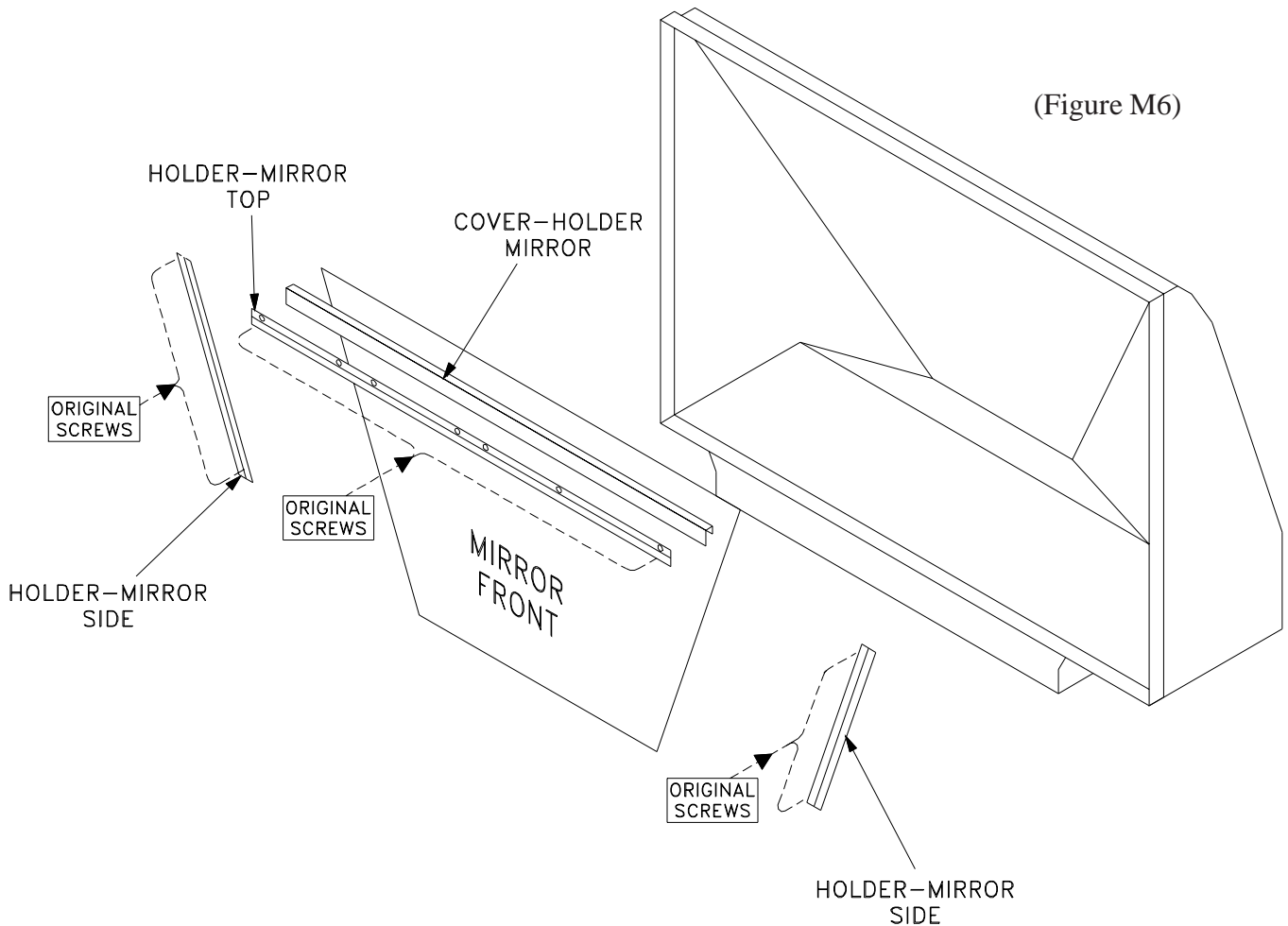
57" & 73"
Mirror Edge

Mirror-3: Install the mirror into MIRROR-BOX and use the original screws to secure it with HOLDER-MIRROR-SIDE (see figure M6 below for reference).

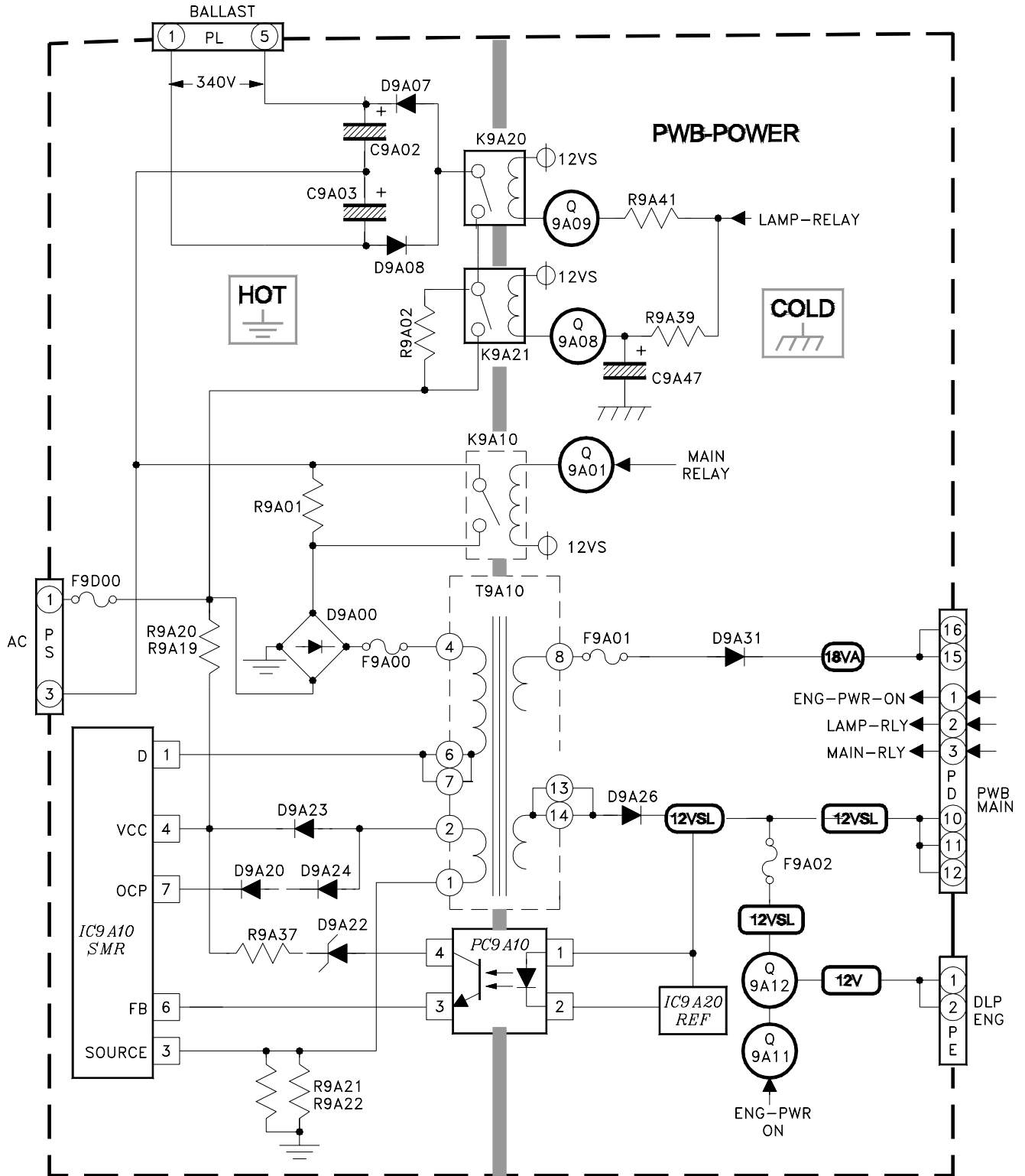
Mirror-4: Install COVER-HOLDER-MIRROR to top of mirror



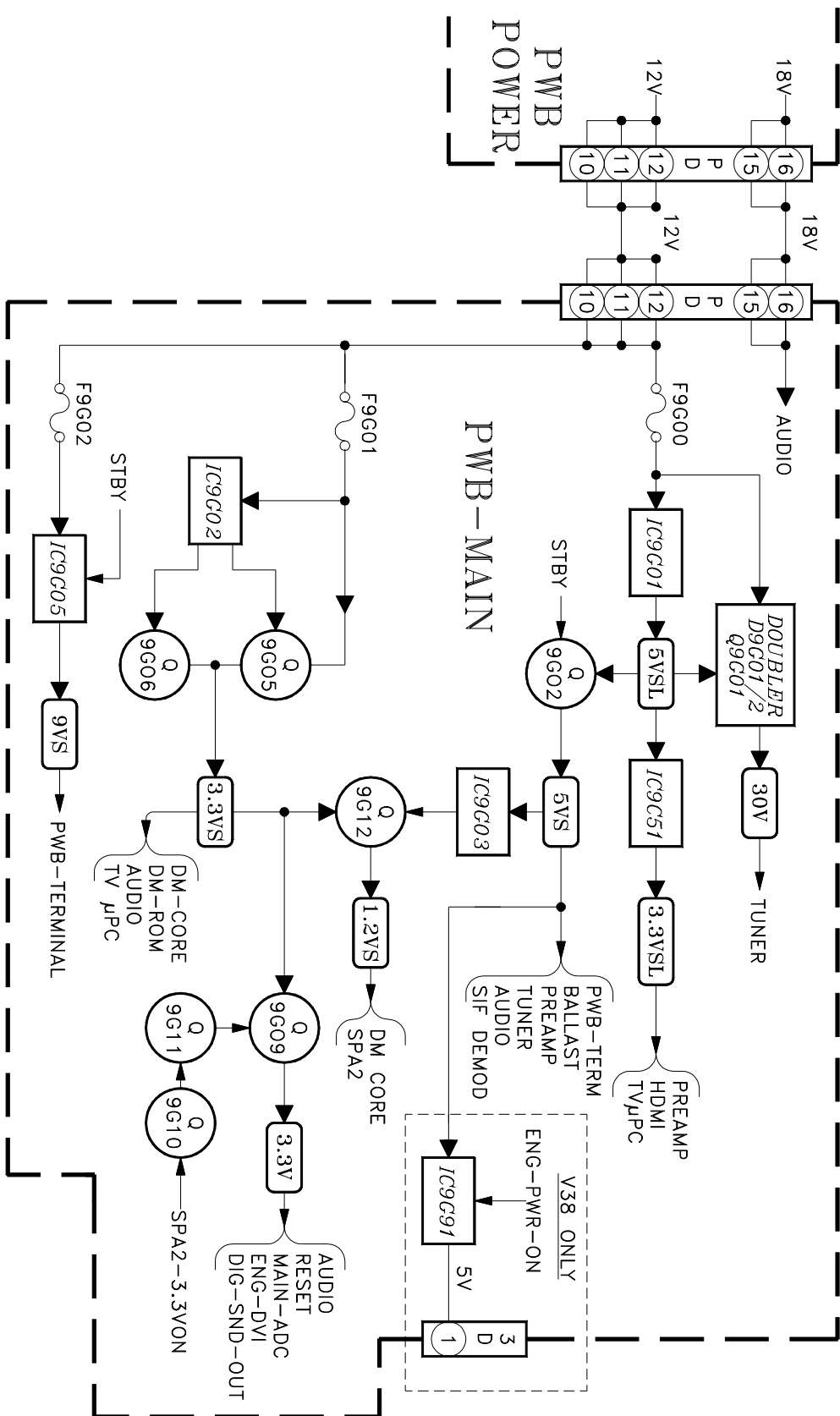
Mirror-5: Use the original screws to install HOLDER-MIRROR-TOP. On 57\" and 65\" models the HOLDER-MIRROR-TOP will fit into the groove of the COVER-HOLDER-MIRROR



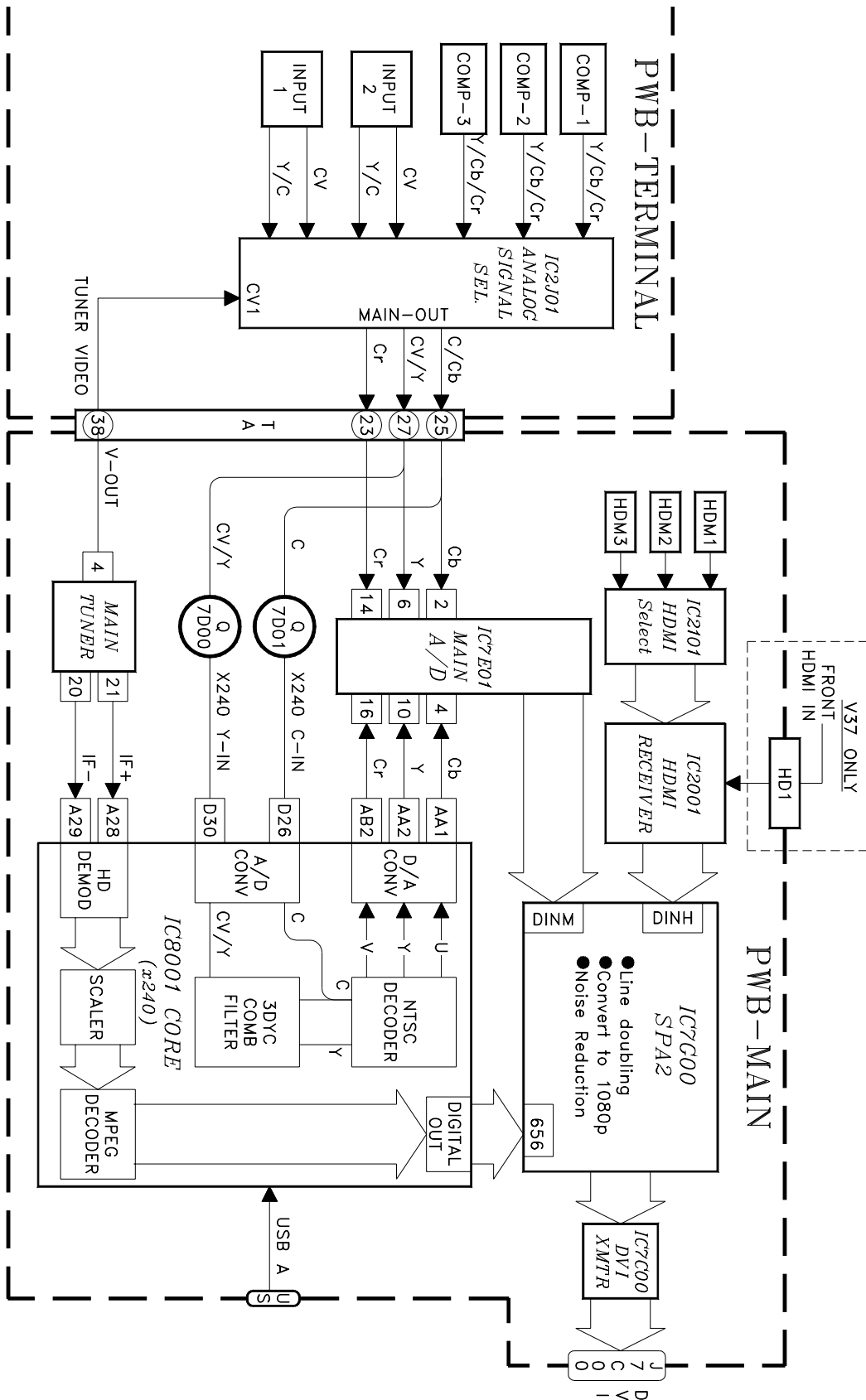
V36/V37/V38 MAIN POWER SUPPLY



V36/V37/V38 PWB-MAIN DC to DC Supplies

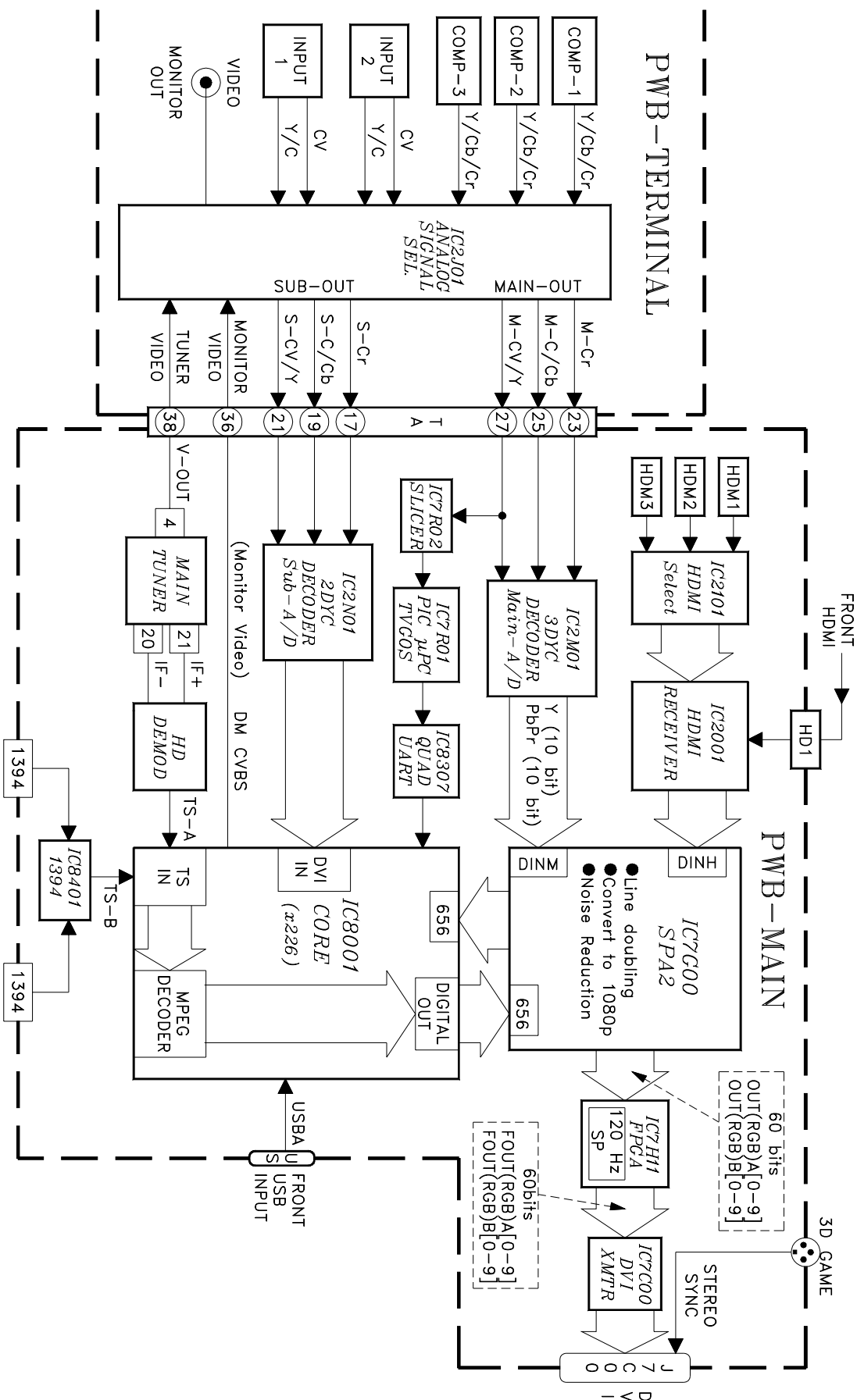


V36/V37 Overall Video Signal Path

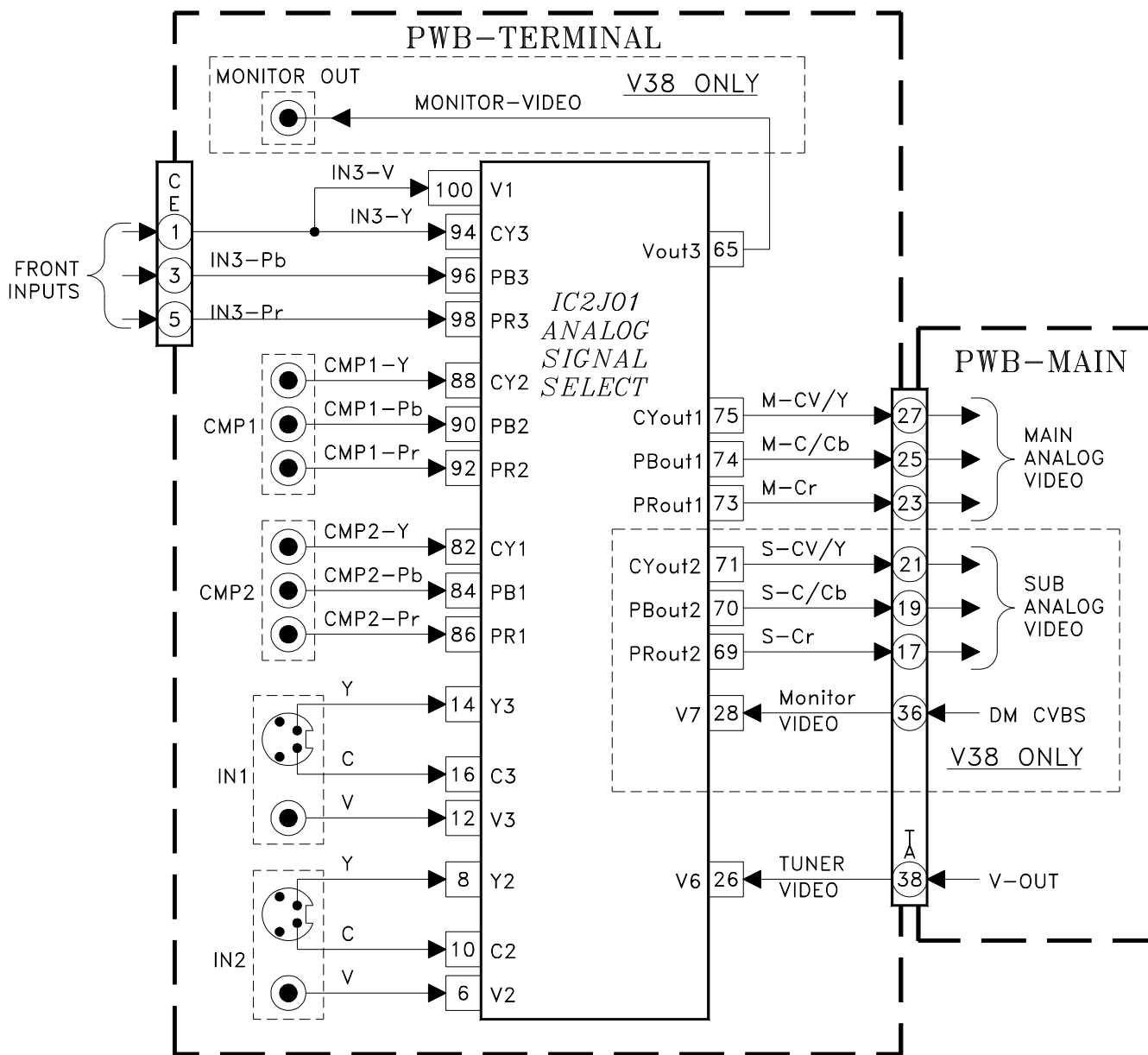


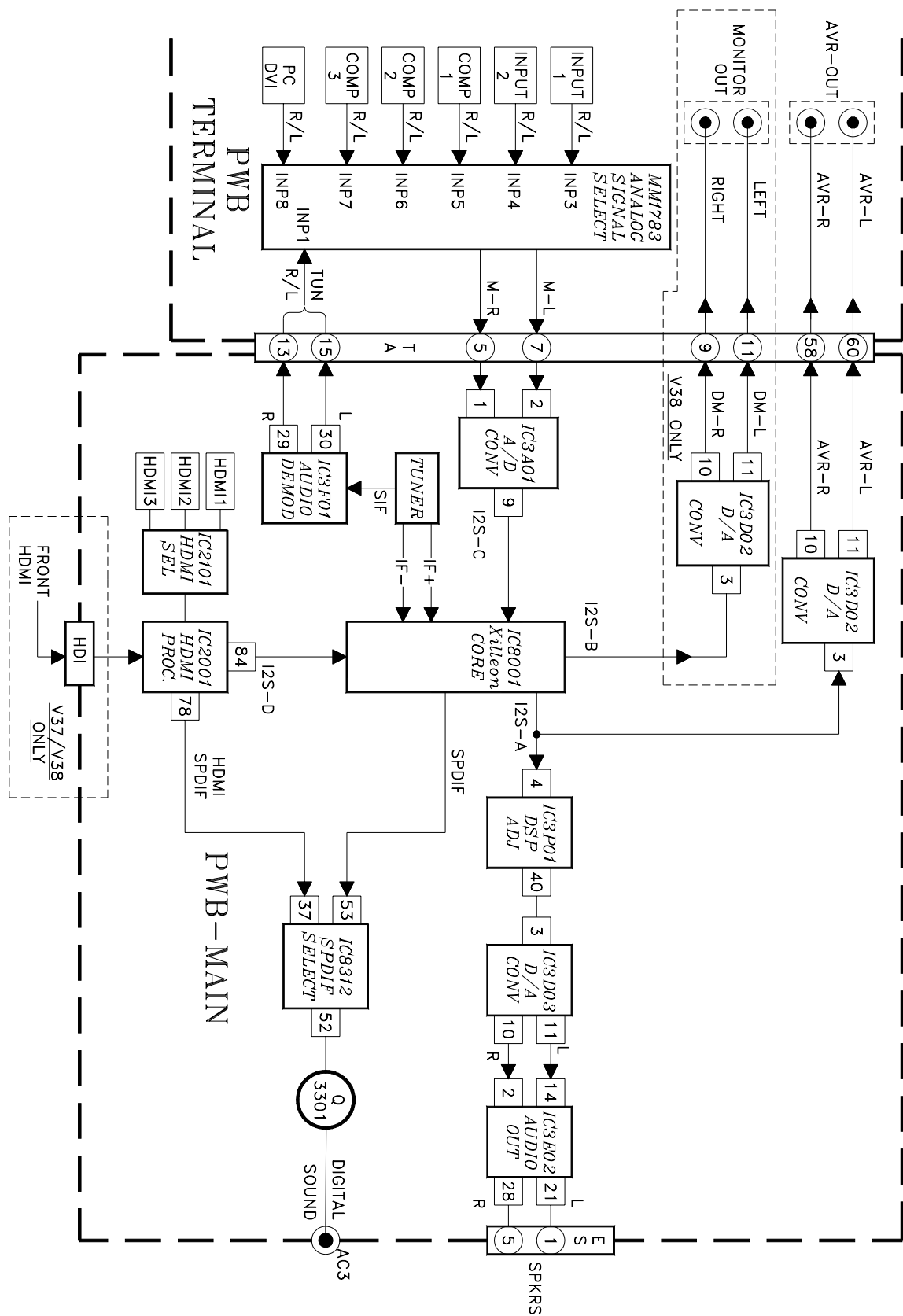
V38

Overall Video Signal Path



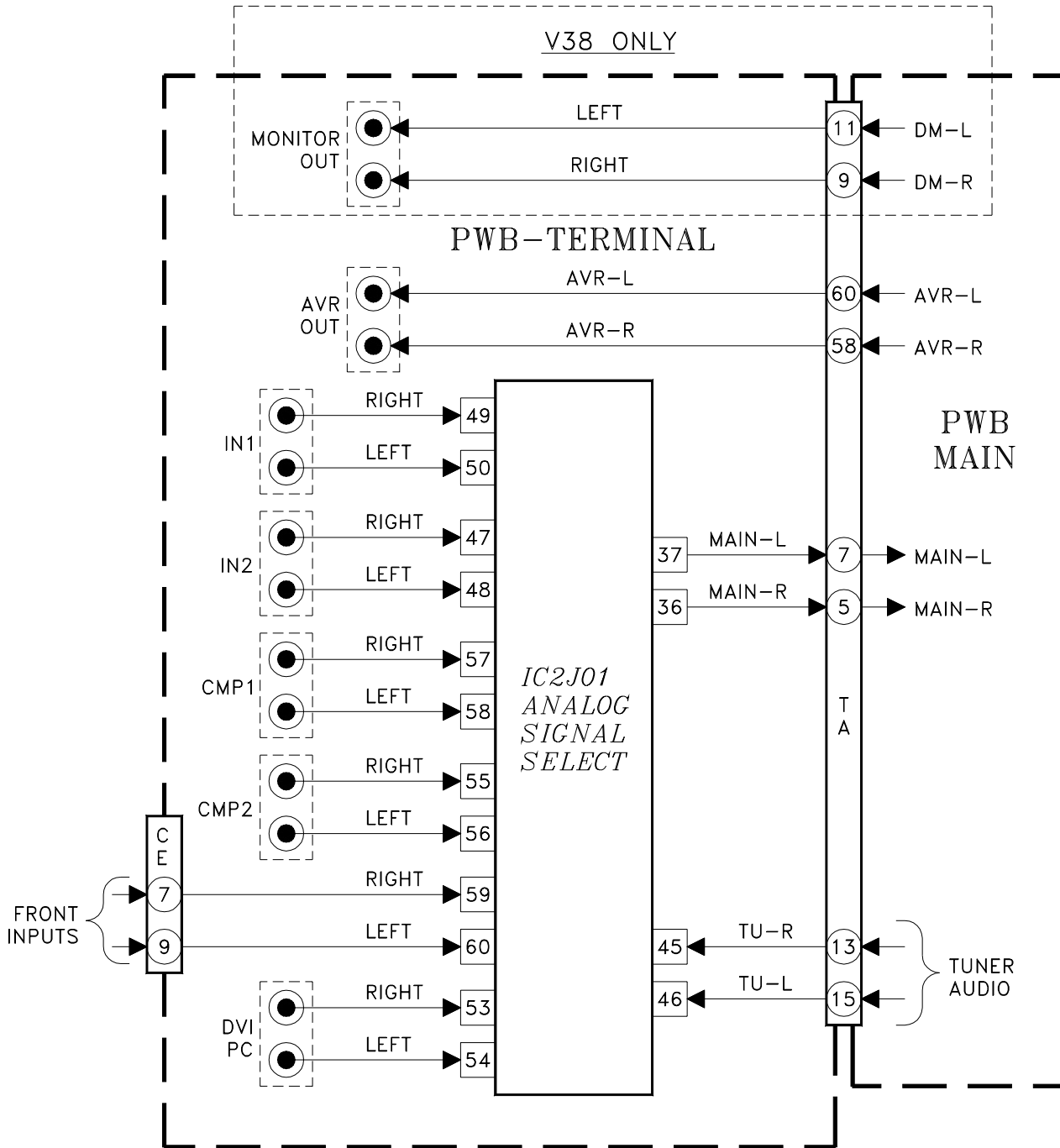
V36/V37/V38 PWB-TERMINAL Video Select Circuit

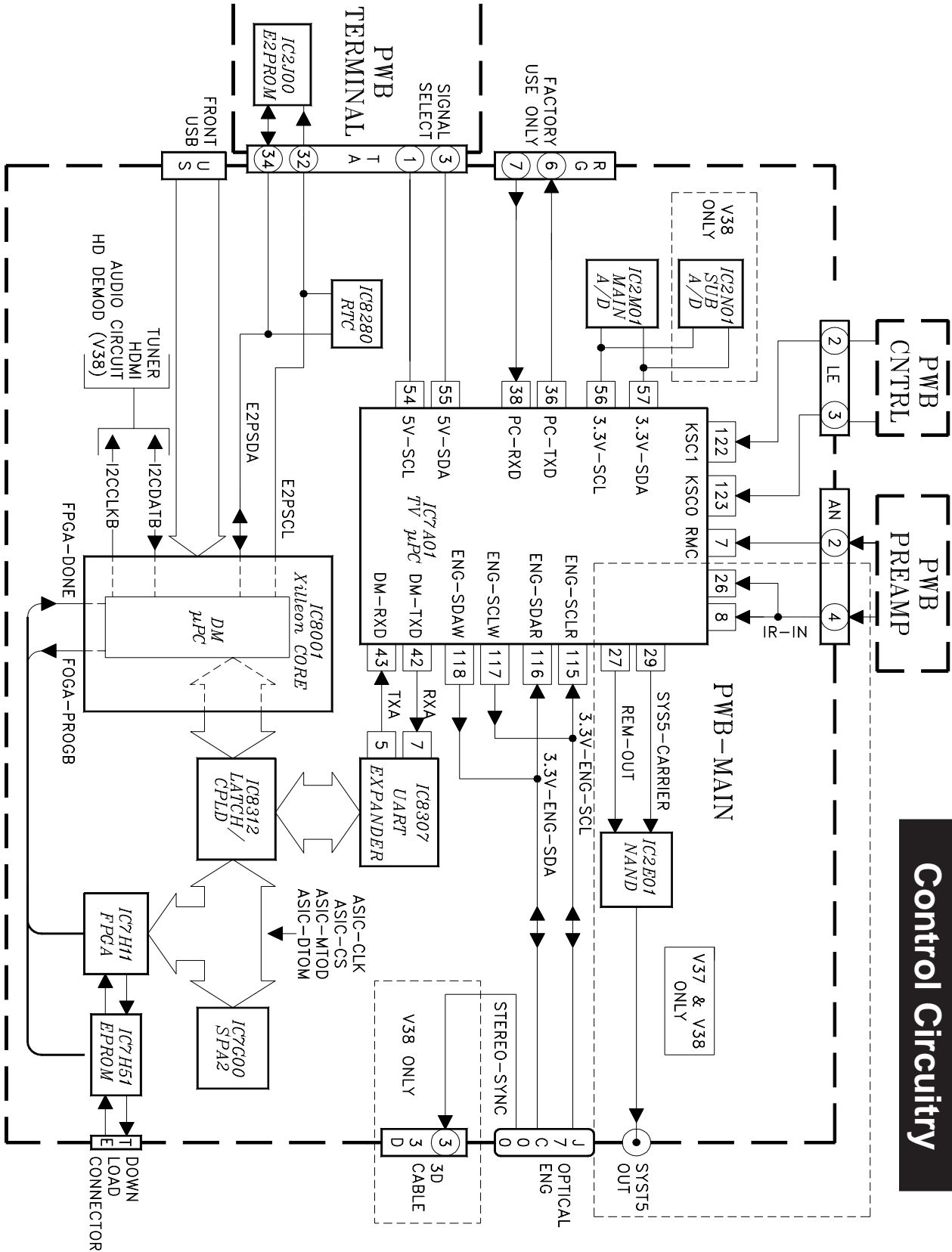




V36/V37/V38
Overall Sound Signal Path

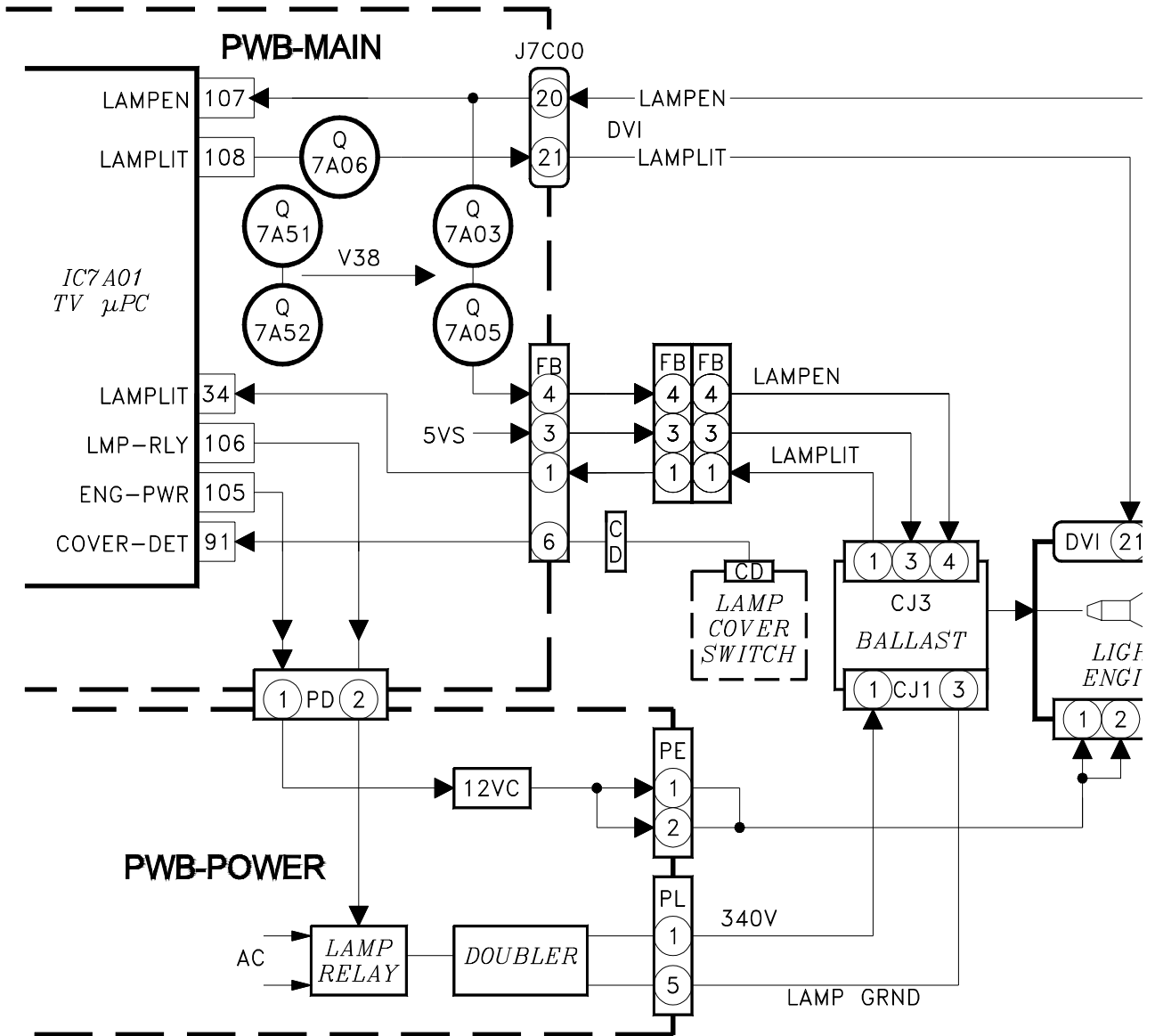
V36/V37/V38 PWB-TERMINAL Sound Signal Select



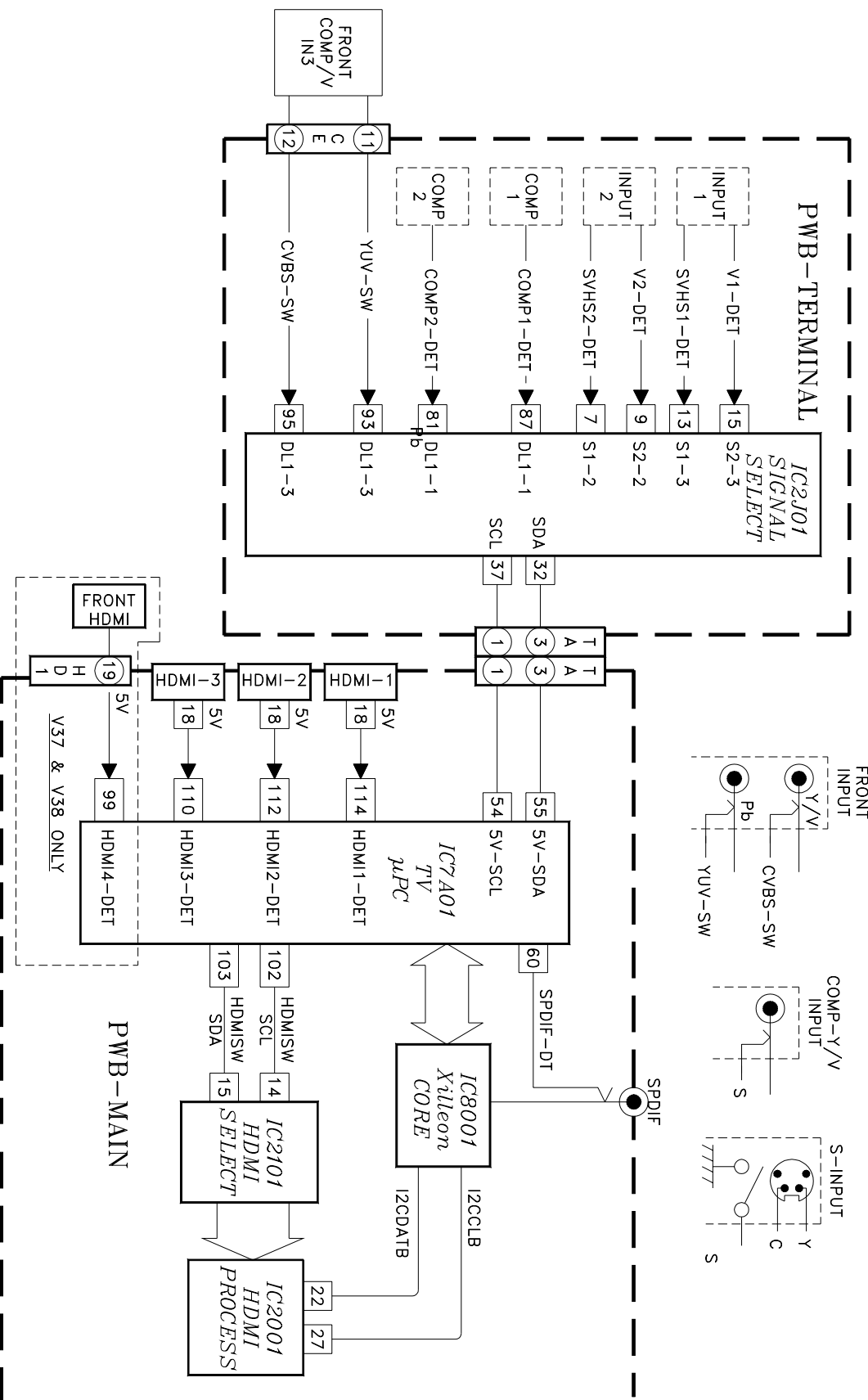


**V36/V37/V38 Overall
Control Circuitry**

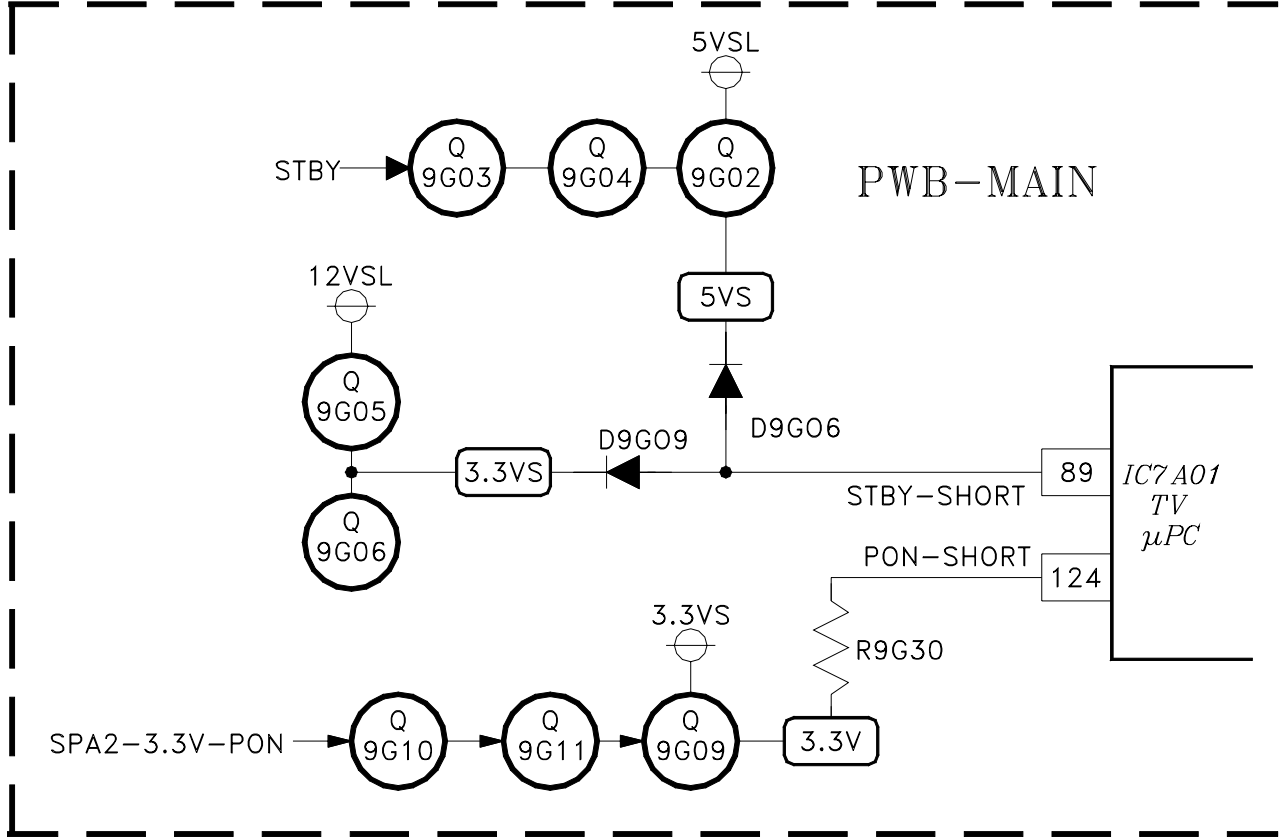
Engine & Lamp Control Circuitry

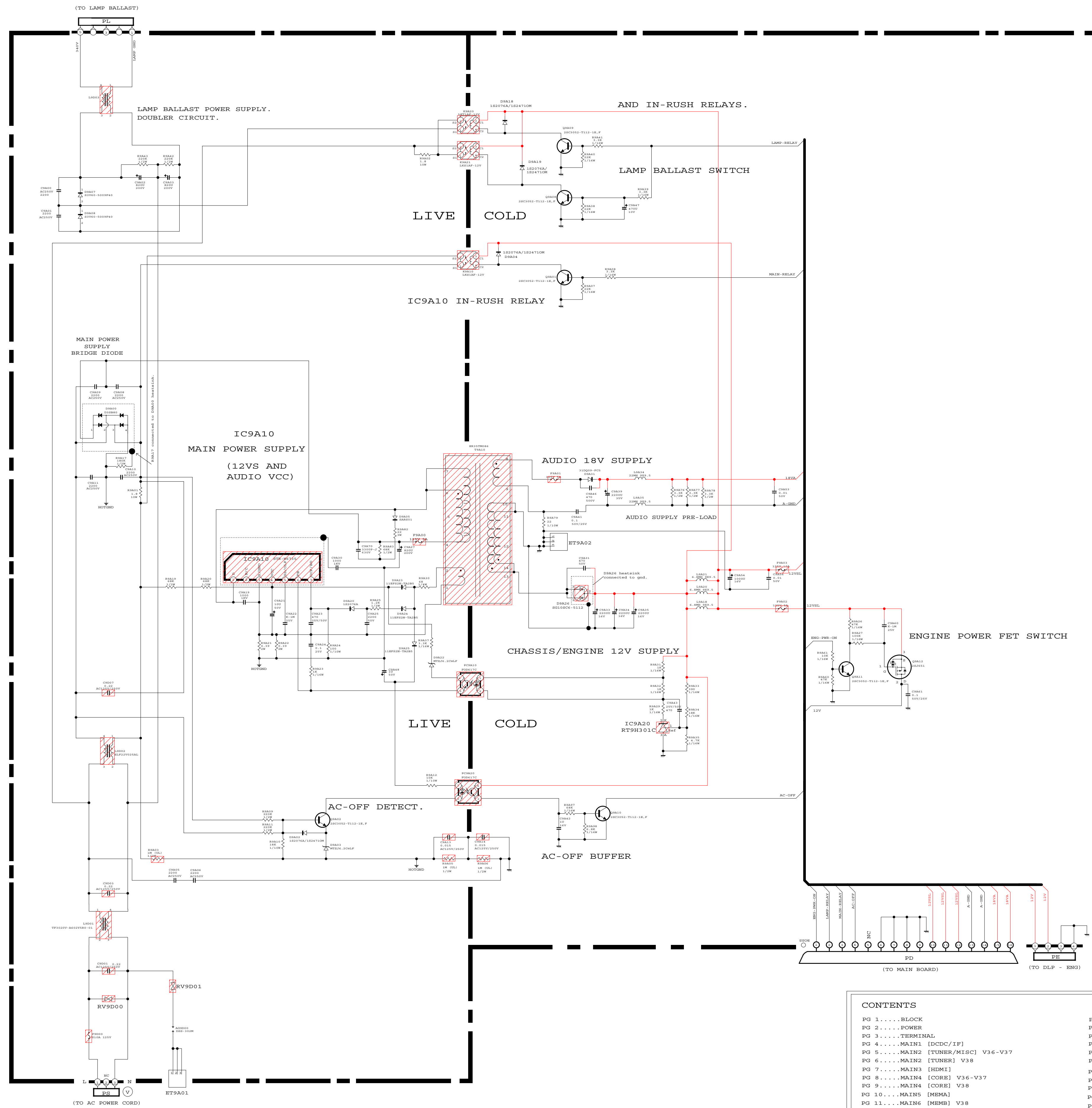


V36/V37/V38 Auto Input & Output Detect Circuitry



V36/V37/V38 Short Protect



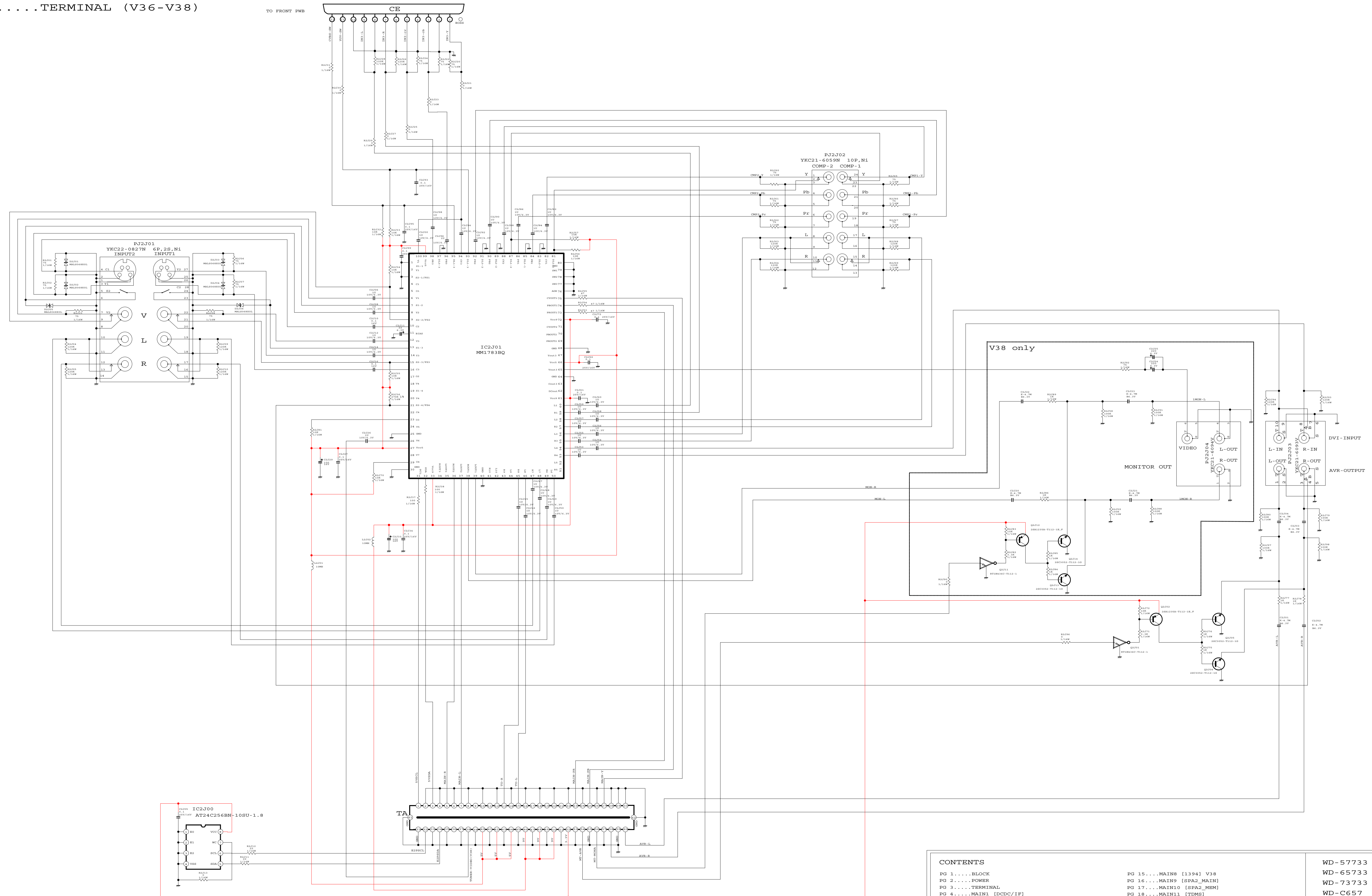


CONTENTS		
PG 1.....BLOCK	PG 15.....MAIN8 [I394] V38	WD-57733 V36
PG 2.....POWER	PG 16.....MAIN9 [SPA2_MAIN]	WD-65733 V36
PG 3.....TERMINAL	PG 17.....MAIN10 [SPA2_MEM]	WD-73733 V36
PG 4.....MAIN1 [DCDC/IF]	PG 18.....MAIN11 [TDMS]	WD-C657 V36L
PG 5.....MAIN2 [TUNER/MISC] V36-V37	PG 19.....MAIN12 [AUDIO]	WD-57734 V37
PG 6.....MAIN2 [TUNER] V38	PG 20.....MAIN13 [MICRO]	WD-65734 V37
PG 7.....MAIN3 [HDMI]	PG 21.....MAIN14 [FPGA] V38	WD-73734 V37
PG 8.....MAIN4 [CORE] V36-V37	PG 22.....MAIN15 [VIDEO_MAIN] V38	WD-Y577 V37L
PG 9.....MAIN4 [CORE] V38	PG 23.....MAIN16 [VIDEO_SUB/MISC] V38	WD-Y657 V37L
PG 10.....MAIN5 [MEMA]	PG 24.....MAIN17 [GUIDE] V38	WD-57833 V38
PG 11.....MAIN6 [MEMB] V38	PG 25.....MISC [CONT/FRONT/LED/HDMI/SBL/PRE-AMP]	WD-65833 V38
PG 12.....MAIN7 [ROM/AV] V36-V37		WD-73833 V38
PG 13.....MAIN7 [ROM/AV] V38		
PG 14.....MAIN8 [ADC] V36-V37		

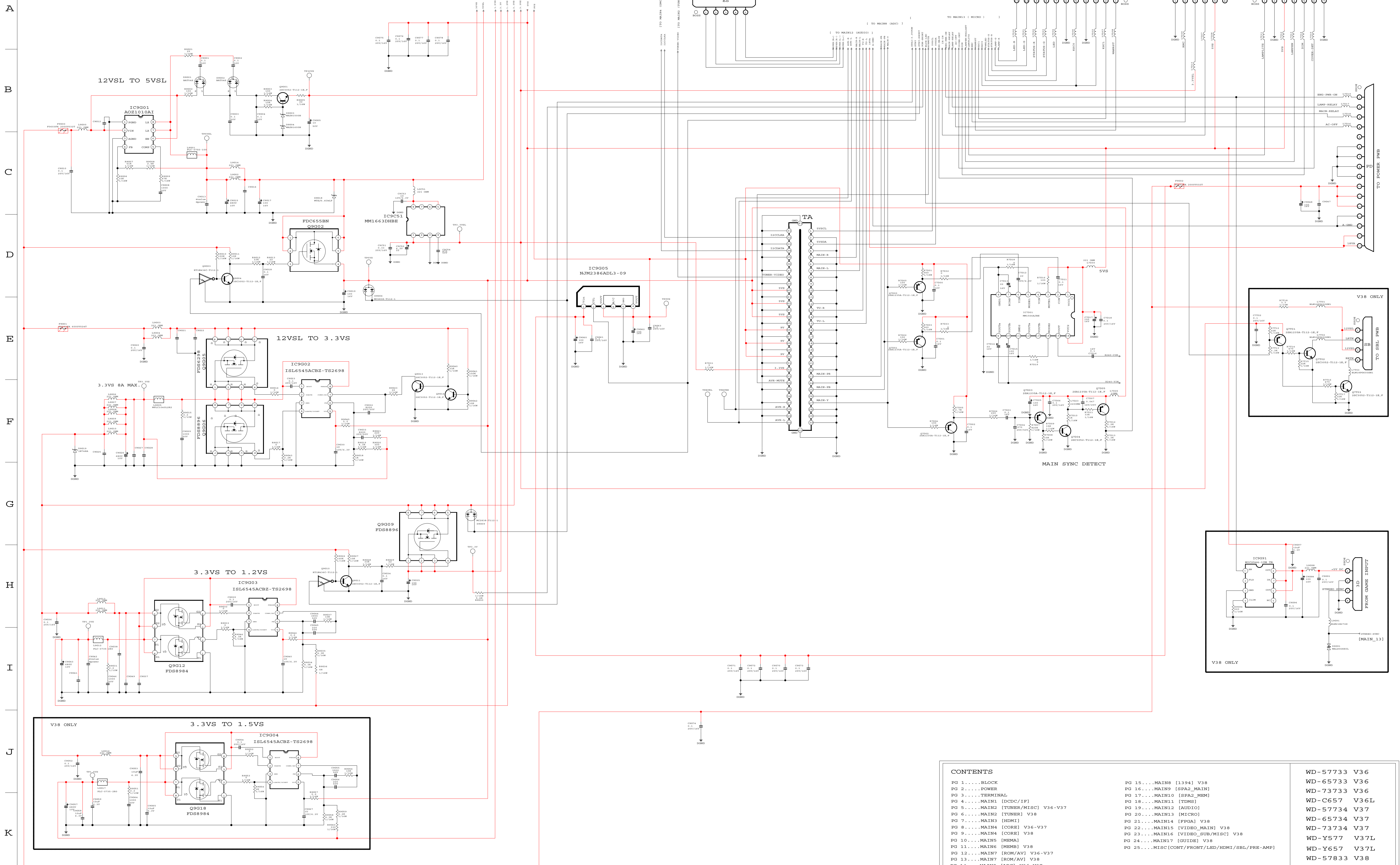
TO FRONT FWB

CE

A
B
C
D
E
F
G
H
I
J
K



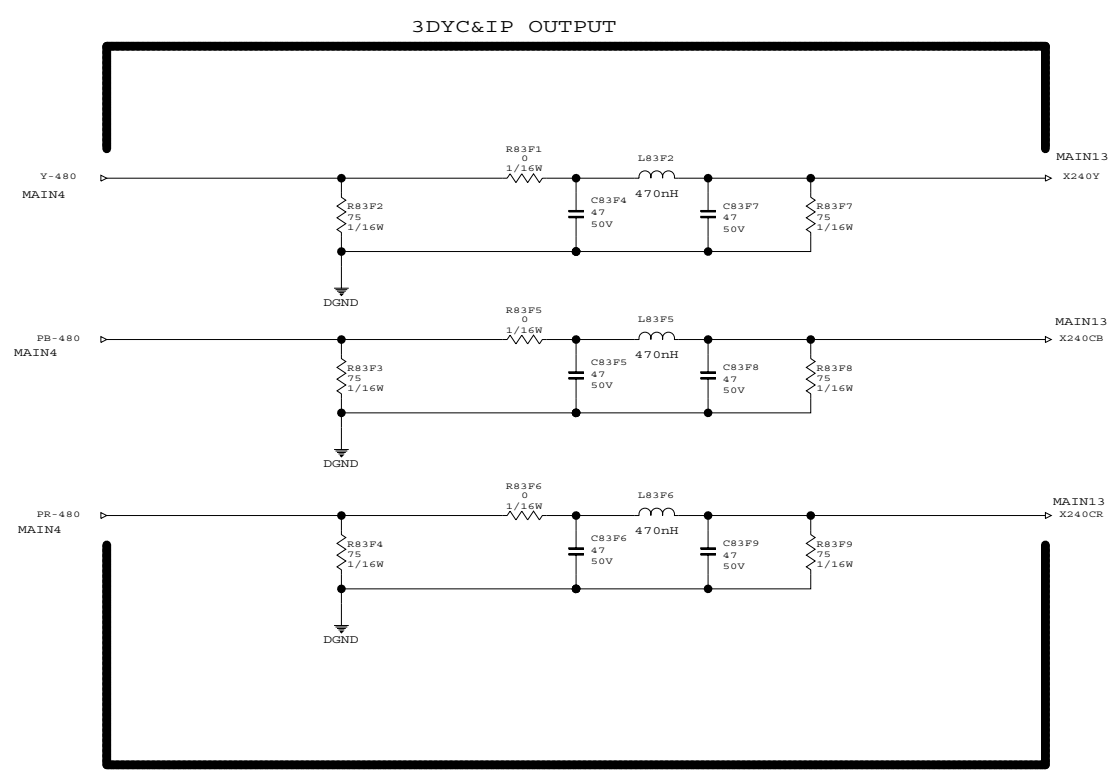
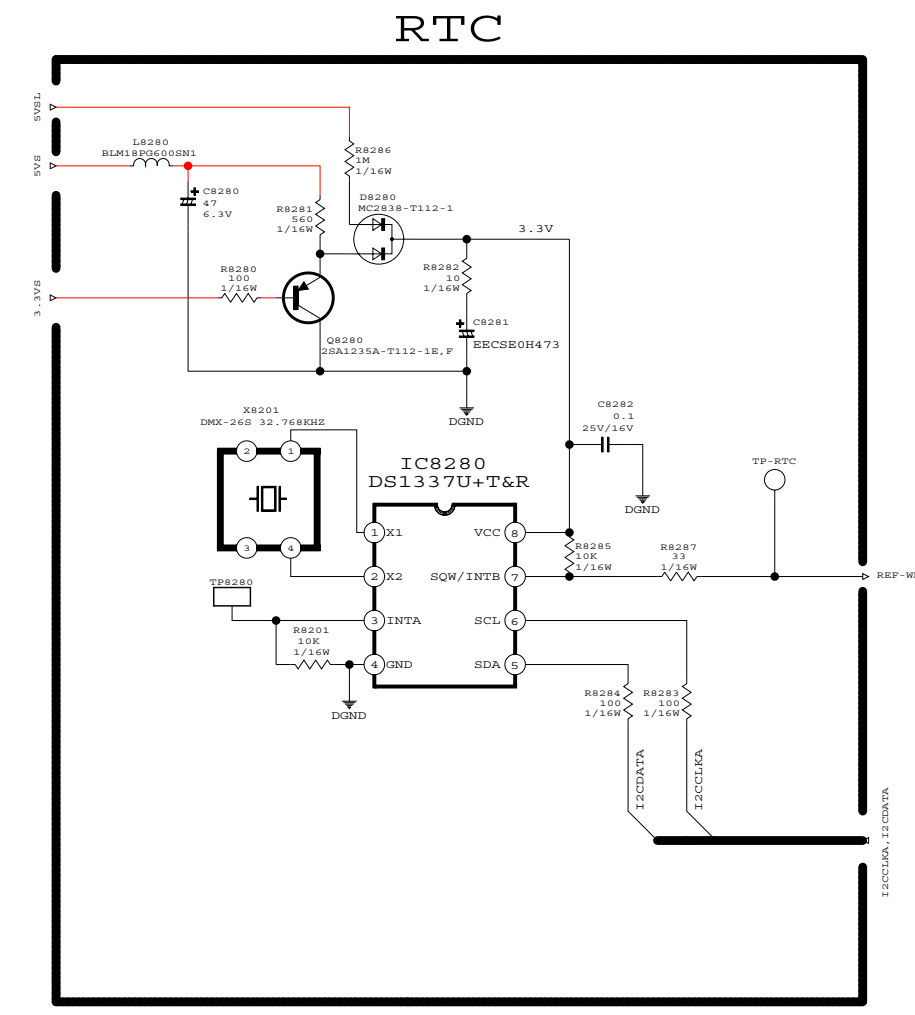
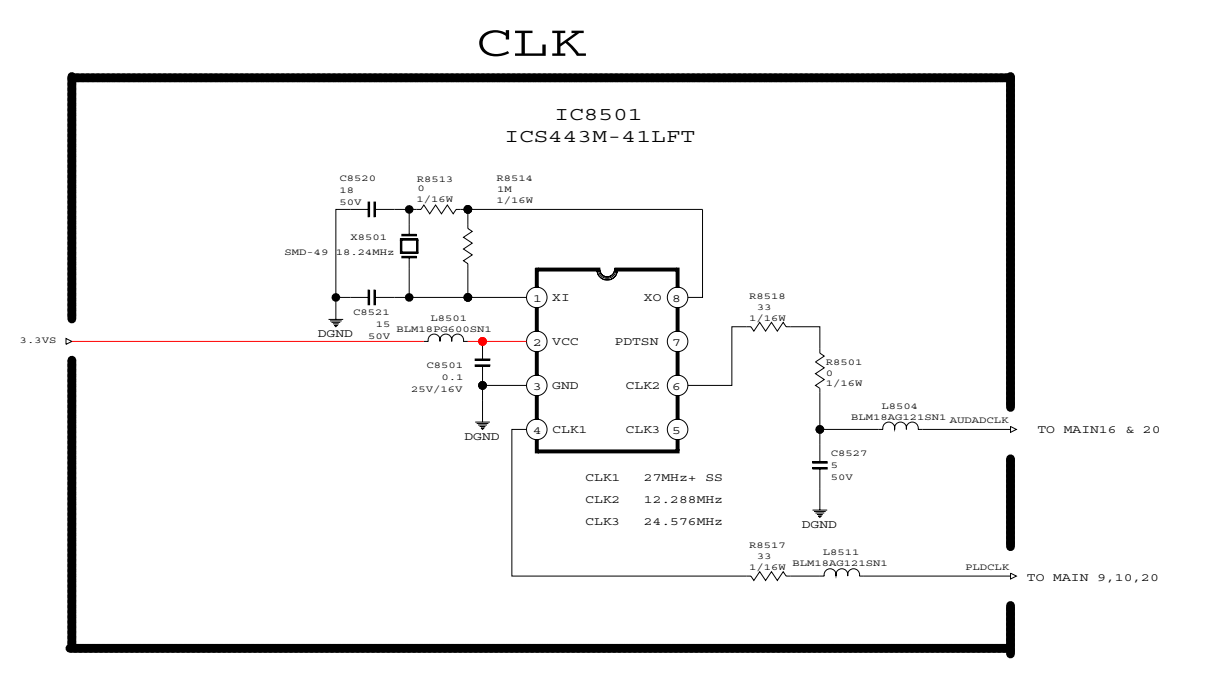
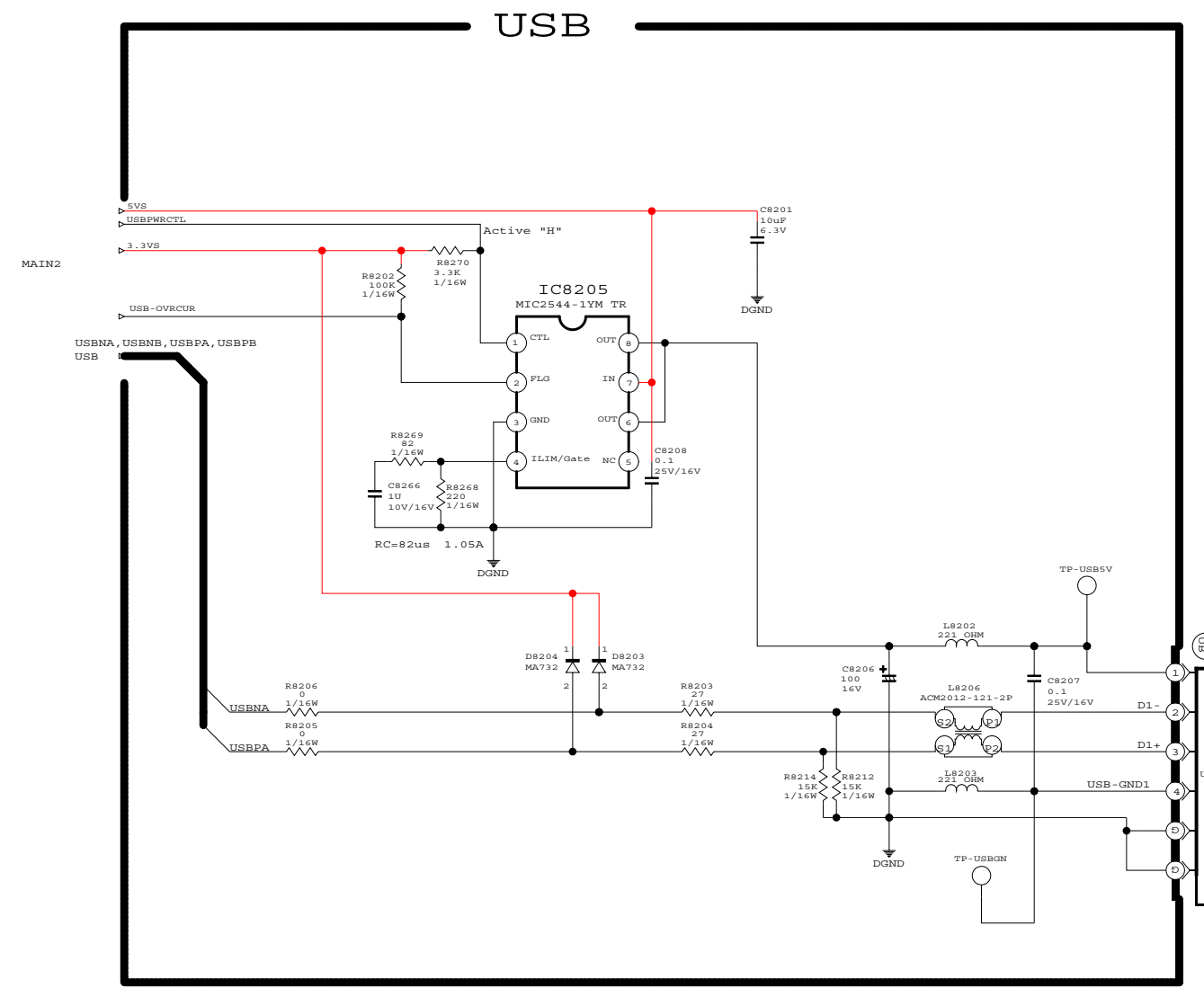
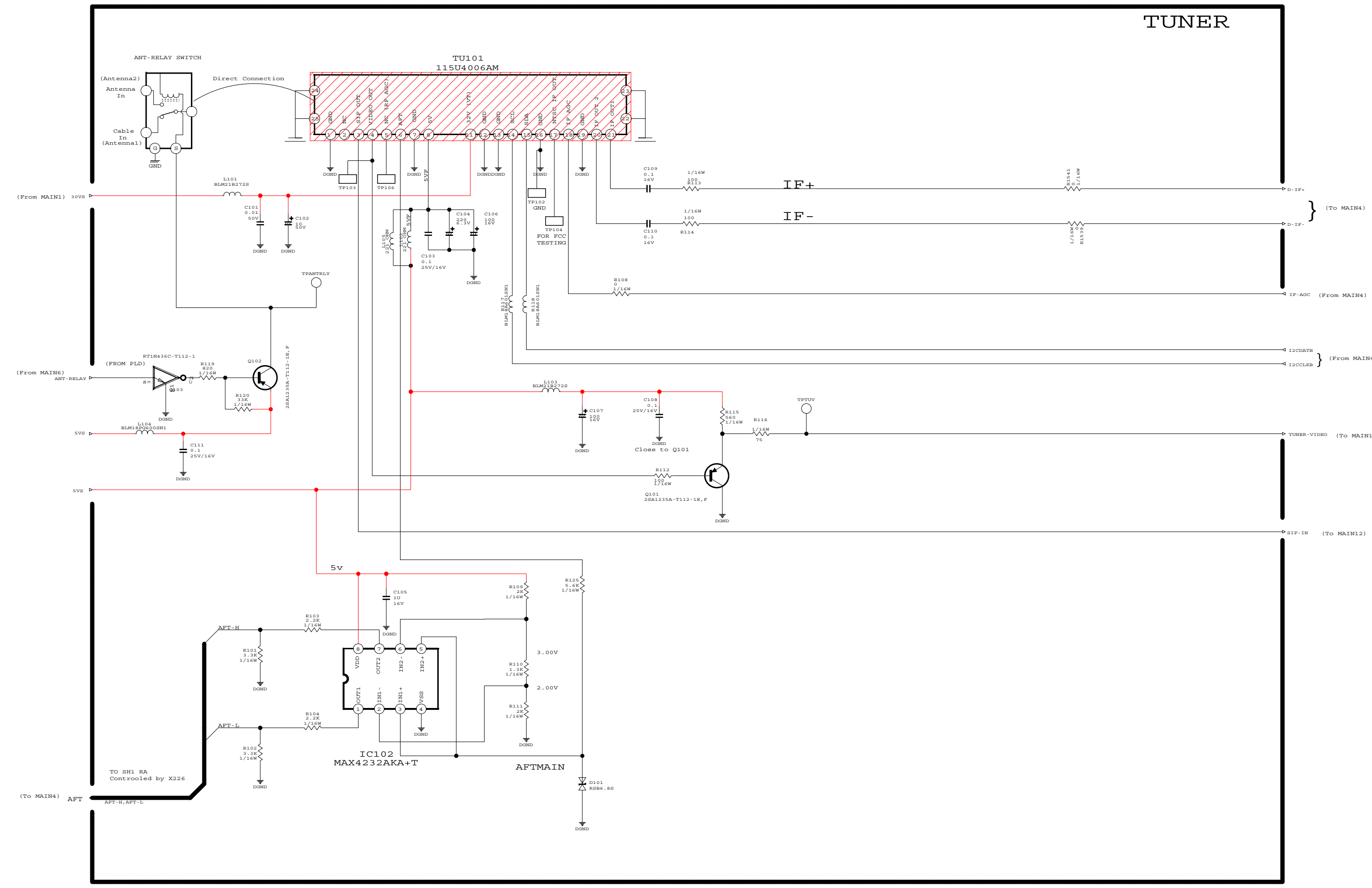
CONTENTS		
PG 1.....BLOCK	PG 16....MAIN9 [SPA2_MAIN]	WD-57733 V36
PG 2.....POWER	PG 17....MAIN10 [SPA2_MEM]	WD-65733 V36
PG 3.....TERMINAL	PG 18....MAIN11 [TDMS]	WD-73733 V36
PG 4.....MAIN1 [DCDC/IP]	PG 19....MAIN12 [AUDIO]	WD-C657 V36L
PG 5.....MAIN2 [TUNER/MISC] V36-V37	PG 20....MAIN13 [MICRO]	WD-57734 V37
PG 6.....MAIN2 [TUNER] V38	PG 21....MAIN14 [FPGA] V38	WD-57734 V37
PG 7.....MAIN3 [HDMI]	PG 22....MAIN15 [VIDEO_MAIN] V38	WD-73734 V37
PG 8.....MAIN4 [CORE] V36-V37	PG 23....MAIN16 [VIDEO_SUB/MISC] V38	WD-Y577 V37L
PG 9.....MAIN4 [CORE] V38	PG 24....MAIN17 [GUIDE] V38	WD-Y657 V37L
PG 10....MAIN5 [MEMA]	PG 25....MISC [CONT/FRONT/LED/HDMI/SBL/PRE-AMP]	WD-57833 V38
PG 11....MAIN6 [MEMB] V38		WD-65833 V38
PG 12....MAIN7 [ROM/AV] V36-V37		WD-73833 V38
PG 13....MAIN7 [ROM/AV] V38		
PG 14....MAIN8 [ADC] V36-V37		



CONTENTS	
PG 1.....BLOCK	PG 15.....MAIN8 [1394] V38
PG 2.....POWER	PG 16.....MAIN9 [SPA2_MAIN]
PG 3.....TERMINAL	PG 17.....MAIN10 [SPA2_MEM]
PG 4.....MAIN1 [DCDC/IF] V36-V37	PG 18.....MAIN11 [TDM5]
PG 5.....MAIN2 [TUNER/MISC] V36-V37	PG 19.....MAIN12 [AUDIO]
PG 6.....MAIN3 [TUNER] V38	PG 20.....MAIN13 [MICRO]
PG 7.....MAIN4 [HDMI] V38	PG 21.....MAIN14 [FPGA] V38
PG 8.....MAIN4 [CORE] V36-V37	PG 22.....MAIN15 [VIDBO_MAIN] V38
PG 9.....MAIN4 [CORE] V38	PG 23.....MAIN16 [VIDBO_SUB/MISC] V38
PG 10.....MAIN5 [MEMA] V38	PG 24.....MAIN17 [GUIDE] V38
PG 11.....MAIN6 [MEMB] V38	PG 25.....MISC [CONT/FRONT/LED/HDMI/SBL/PRE-AMP]
PG 12.....MAIN7 [ROM/AVI] V36-V37	
PG 13.....MAIN7 [ROM/AVI] V38	
PG 14.....MAIN8 [ADC] V36-V37	

WD-57733	V36
WD-65733	V36
WD-73733	V36
WD-C657	V36L
WD-57734	V37
WD-65734	V37
WD-73734	V37
WD-Y577	V37L
WD-Y657	V37L
WD-57833	V38
WD-65833	V38
WD-73833	V38

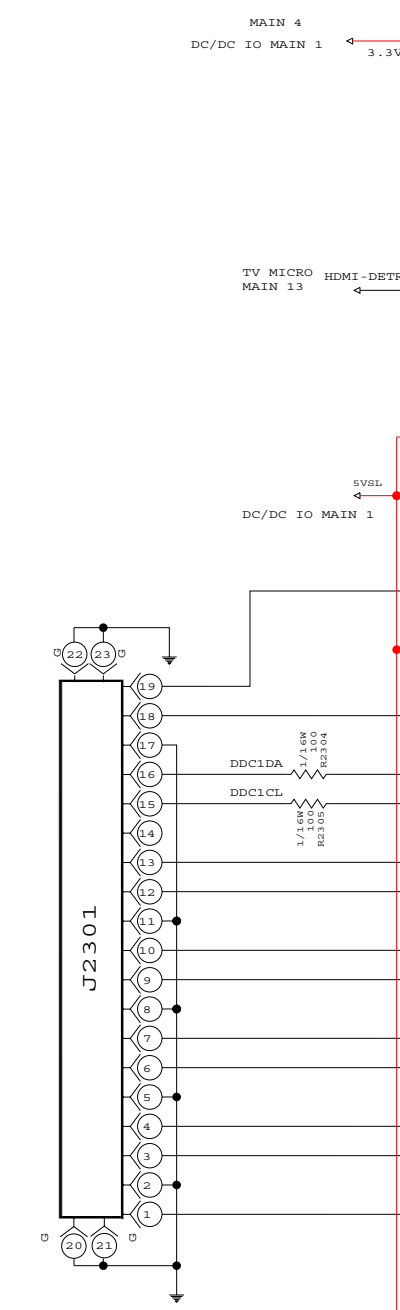
A
B
C
D
E
F
G
H
I
J
K



CONTENTS		
PG 1...BLOCK	PG 15...MAIN8 [1394] V38	WD-57733 V36
PG 2...POWER	PG 16...MAIN9 [SPA2_MAIN]	WD-65733 V36
PG 3...TERMINAL	PG 17...MAIN10 [SPA2_MEM]	WD-73733 V36
PG 4...MAIN1 [DCDC/IP]	PG 18...MAIN11 [TDMS]	WD-C657 V36L
PG 5...MAIN2 [TUNER/MISC] V36-V37	PG 19...MAIN12 [AUDIO]	WD-57734 V37
PG 6...MAIN2 [TUNER] V38	PG 20...MAIN13 [MICRO]	WD-65734 V37
PG 7...MAIN3 [HDMI]	PG 21...MAIN14 [FPGA] V38	WD-73734 V37
PG 8...MAIN4 [CORE] V36-V37	PG 22...MAIN15 [VIDEO_MAIN] V38	WD-73734 V37
PG 9...MAIN4 [CORE] V38	PG 23...MAIN16 [VIDEO_SUB/MISC] V38	WD-Y577 V37L
PG 10...MAIN5 [MEMA]	PG 24...MAIN17 [GUIDE] V38	WD-Y657 V37L
PG 11...MAIN6 [MEMB] V38	PG 25...MISC [CONT/FRONT/LED/HDMI/SBL/PRB-AMP]	WD-57833 V38
PG 12...MAIN7 [ROM/AV] V36-V37		WD-65833 V38
PG 13...MAIN7 [ROM/AV] V38		WD-73833 V38
PG 14...MAIN8 [ADC] V36-V37		

A
B
C
D
E
F
G
H
I
J
K

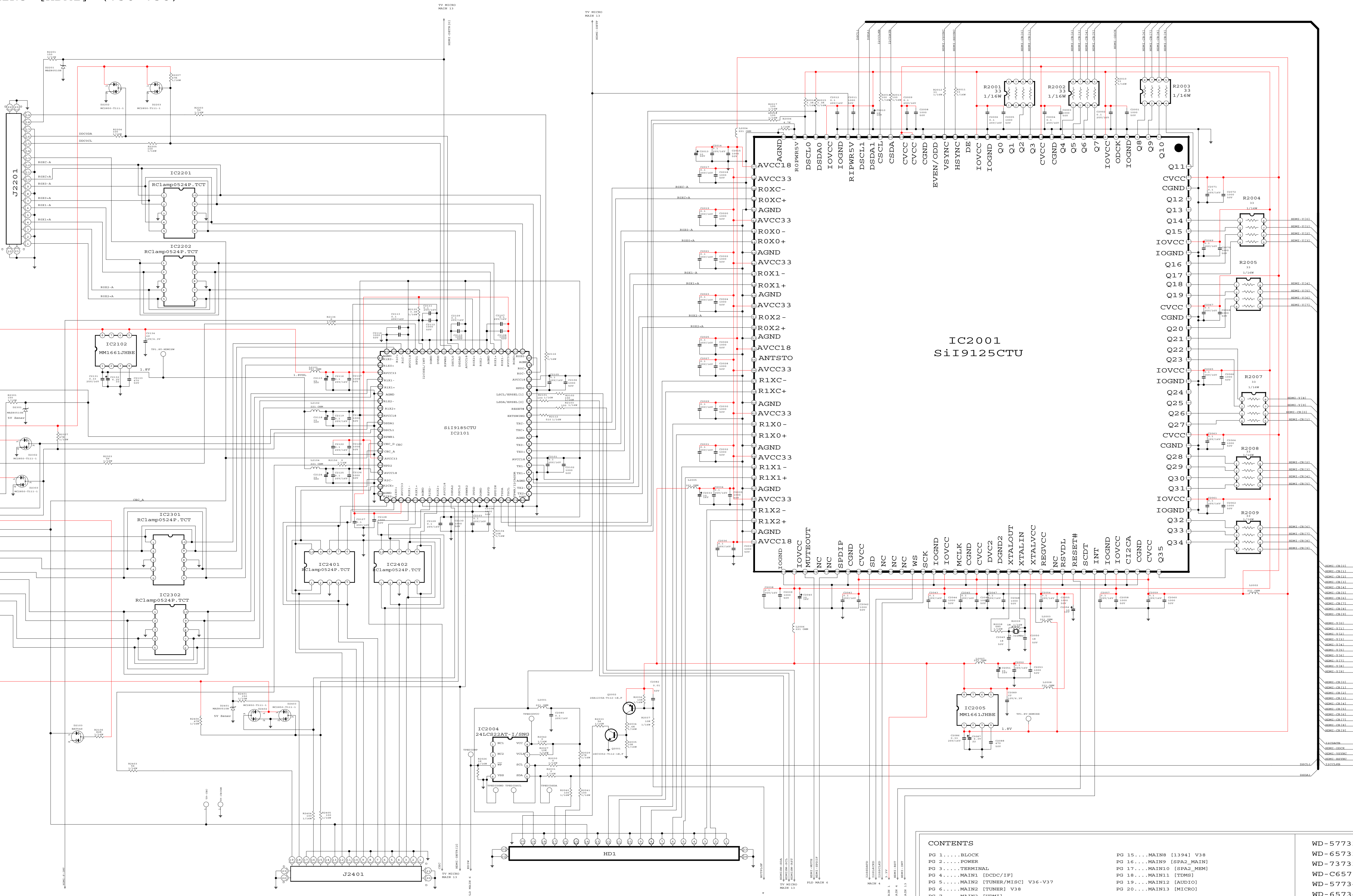
PIN	Signal Assignment
1	T.M.D.S. Data 2+ Shield
2	T.M.D.S. Data 2+ Shield
3	T.M.D.S. Data 2-
4	T.M.D.S. Data 1+ Shield
5	T.M.D.S. Data 1+ Shield
6	T.M.D.S. Data 1-
7	T.M.D.S. Data 0+ Shield
8	T.M.D.S. Data 0+ Shield
9	T.M.D.S. Data 0-
10	T.M.D.S. Clock+
11	T.M.D.S. Clock Shield
12	T.M.D.S. Clock-
13	CBC
14	Reserved
15	DDC Clock
16	DDC Data
17	Ground (return for +5V)
18	+5V Power
19	Hot Plug Detect
Shell	PG
(20)	Location Post (GND)
(21)	Location Post (GND)
(22)	Location Post (GND)
(23)	Location Post (GND)



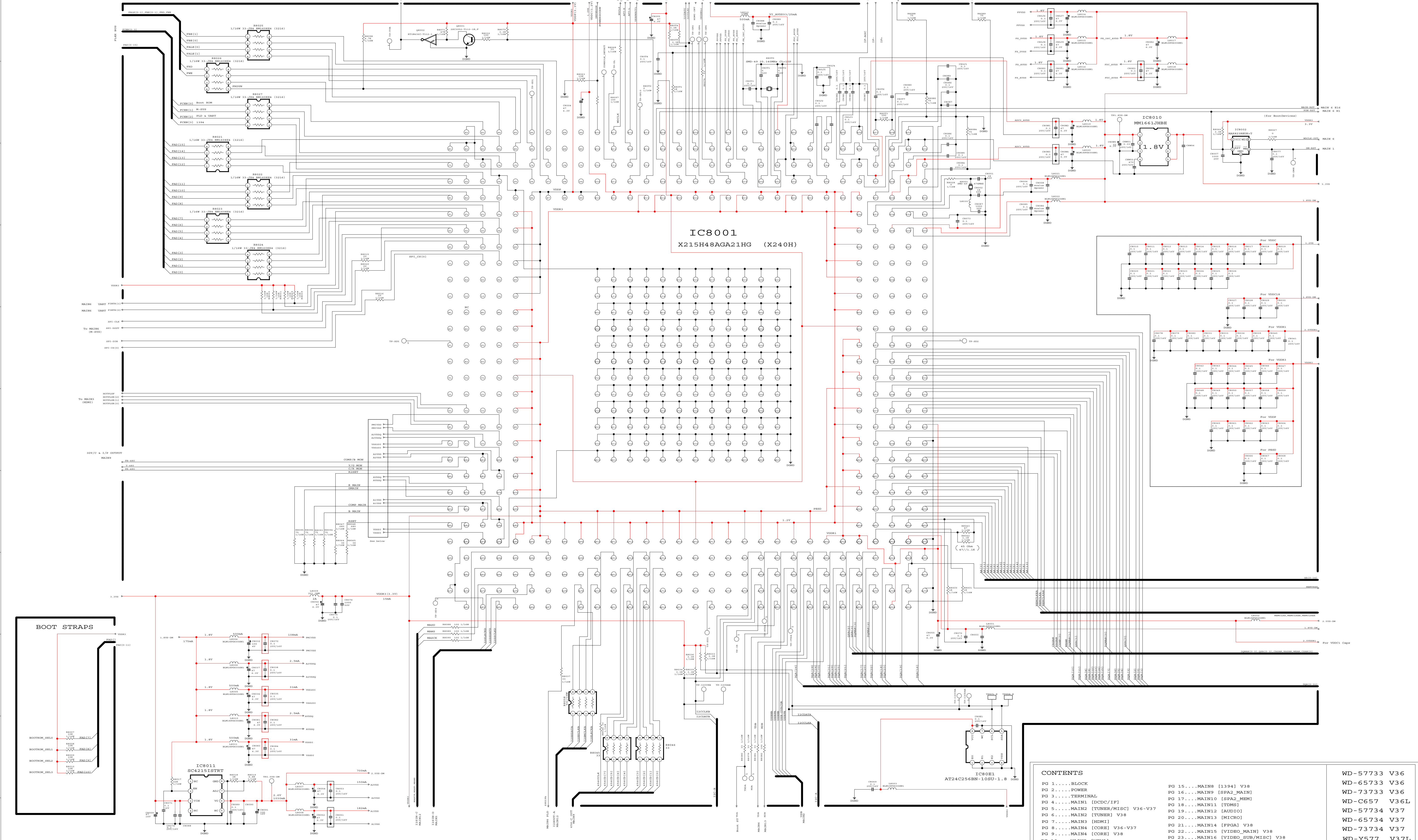
HDMI - FRONT

PIN	Signal Assignment
1	T.M.D.S. Data 2+ Shield
2	T.M.D.S. Data 2+
3	T.M.D.S. Data 2-
4	T.M.D.S. Data 1+ Shield
5	T.M.D.S. Data 1+
6	T.M.D.S. Data 1-
7	T.M.D.S. Data 0+ Shield
8	T.M.D.S. Data 0+
9	T.M.D.S. Data 0-
10	T.M.D.S. Clock Shield
11	T.M.D.S. Clock
12	T.M.D.S. Clock-
13	GND
14	CBC
15	Reserved
16	DDC Clock
17	DDC Data
18	+5V Return
19	+5V
20	Hot Plug Detect
21	Location Post (GND)
22	Location Post (GND)
Shell	Frame Ground

[Go to PWB-FRONTHEMI]

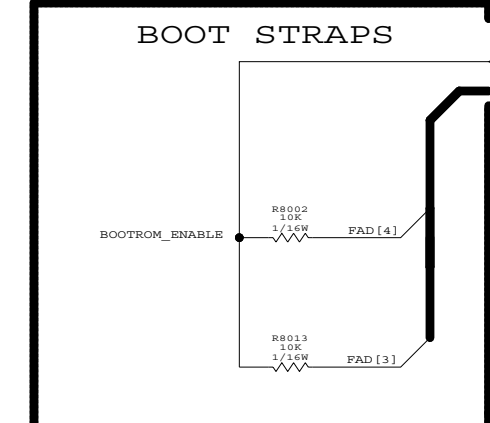
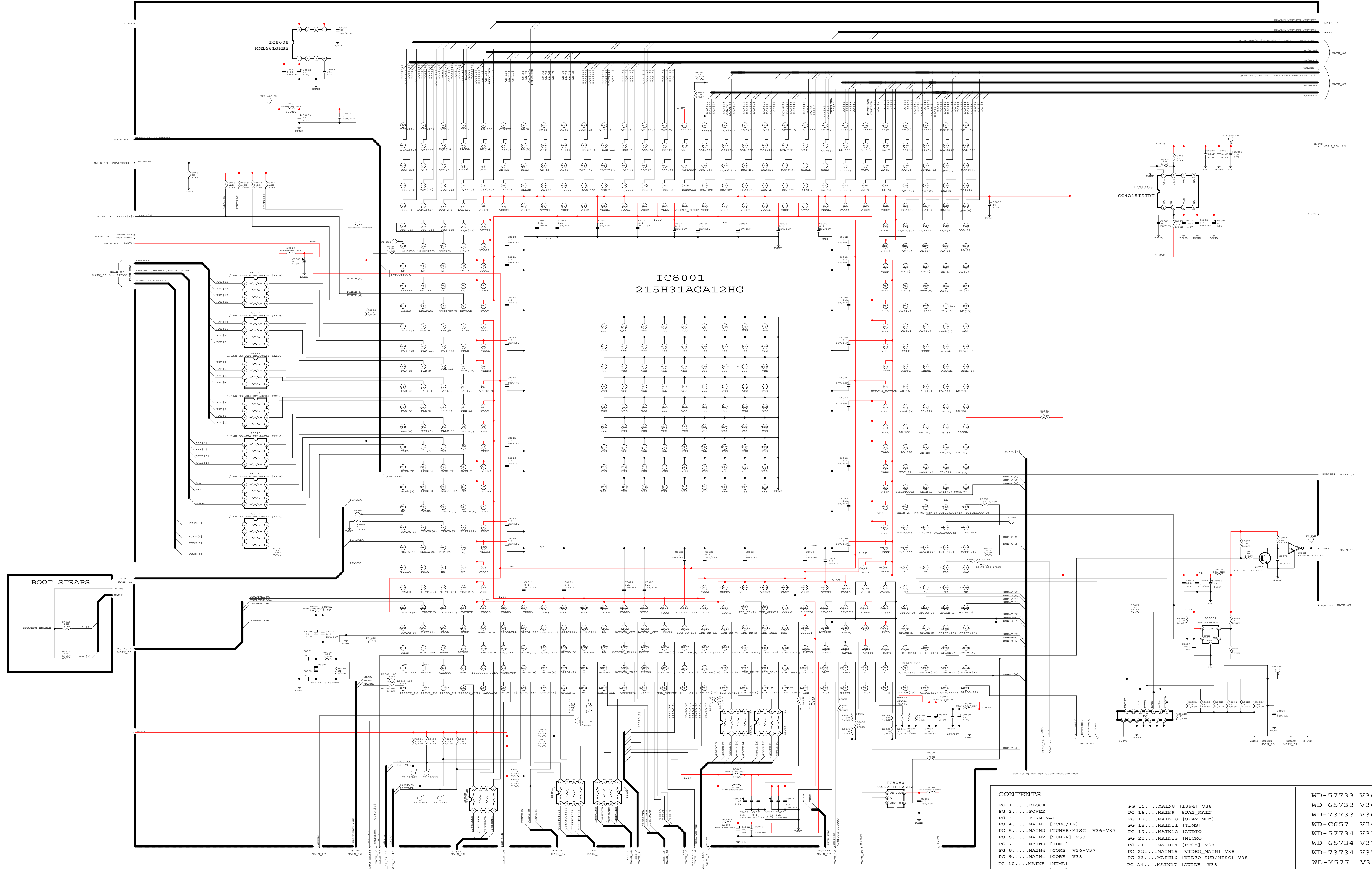


CONTENTS		
PG 1...BLOCK	PG 15...MAIN8 [1394] V38	WD-57733 V36
PG 2...POWER	PG 16...MAIN9 [SPA2_MAIN]	WD-65733 V36
PG 3...TERMINAL	PG 17...MAIN10 [SPA2_MEM]	WD-73733 V36
PG 4...MAIN1 [DDC/TP]	PG 18...MAIN11 [TUNE]	WD-C657 V36L
PG 5...MAIN2 [TUNER/MISC] V36-V37	PG 19...MAIN12 [AUDIO]	WD-57734 V37
PG 6...MAIN2 [TUNER] V38	PG 20...MAIN13 [MICRO]	WD-57734 V37
PG 7...MAIN3 [HDMI]	PG 21...MAIN14 [FPGA] V38	WD-65734 V37
PG 8...MAIN4 [CORE] V36-V37	PG 22...MAIN15 [VIDEO_MAIN] V38	WD-73734 V37
PG 9...MAIN4 [CORE] V38	PG 23...MAIN16 [VIDEO_SUB/MISC] V38	WD-65734 V37L
PG 10...MAIN5 [MEMA]	PG 24...MAIN17 [GUIDE] V38	WD-Y577 V37L
PG 11...MAIN6 [MEMB] V38	PG 25...MISC [CONT/FRONT/LED/HDMI/SBL/PRR-AMP]	WD-Y657 V37L
PG 12...MAIN7 [ROM/AV] V36-V37		WD-57833 V38
PG 13...MAIN7 [ROM/AV] V38		WD-65833 V38
PG 14...MAIN8 [ADC] V36-V37		WD-73833 V38



CONTENTS	
PG 3...BLOCK	WD-57733 V36
PG 2...POWER	WD-65733 V36
PG 1...TERMINAL	WD-73733 V36
PG 4...MAIN1 (DCDC/IP)	WD-C657 V36L
PG 5...MAIN2 (TUNER/MISC) V36-V37	WD-57734 V37
PG 6...MAIN2 (TUNER) V38	WD-65734 V37
PG 7...MAIN3 (HDMI)	WD-73734 V37
PG 8...MAIN4 (CORE) V36-V37	WD-57734 V37
PG 9...MAIN4 (CORE) V38	WD-73734 V37
PG 10...MAIN5 (MEMA)	WD-Y577 V37L
PG 11...MAIN6 (MEMB) V38	WD-Y657 V37L
PG 12...MAIN7 (ROM/AV) V36-V37	WD-57833 V38
PG 13...MAIN7 (ROM/AV) V38	WD-65833 V38
PG 14...MAIN8 (ADC) V36-V37	WD-73833 V38
PG 15...MAIN8 (1394) V38	
PG 16...MAIN9 (SPA2_MAIN)	
PG 17...MAIN10 (SPA2_MEM)	
PG 18...MAIN11 (SDMS)	
PG 19...MAIN12 (AUDIO)	
PG 20...MAIN13 (MICRO)	
PG 21...MAIN14 (PFGA) V38	
PG 22...MAIN15 (VIDBO_MAIN) V38	
PG 23...MAIN16 (VIDBO_SUB/MISC) V38	
PG 24...MAIN17 (GUIDE) V38	
PG 25...MISC (CONT/FRONT/LED/HDMI/SBL/PRE-AMP)	

A
B
C
D
E
F
G
H
I
J
K

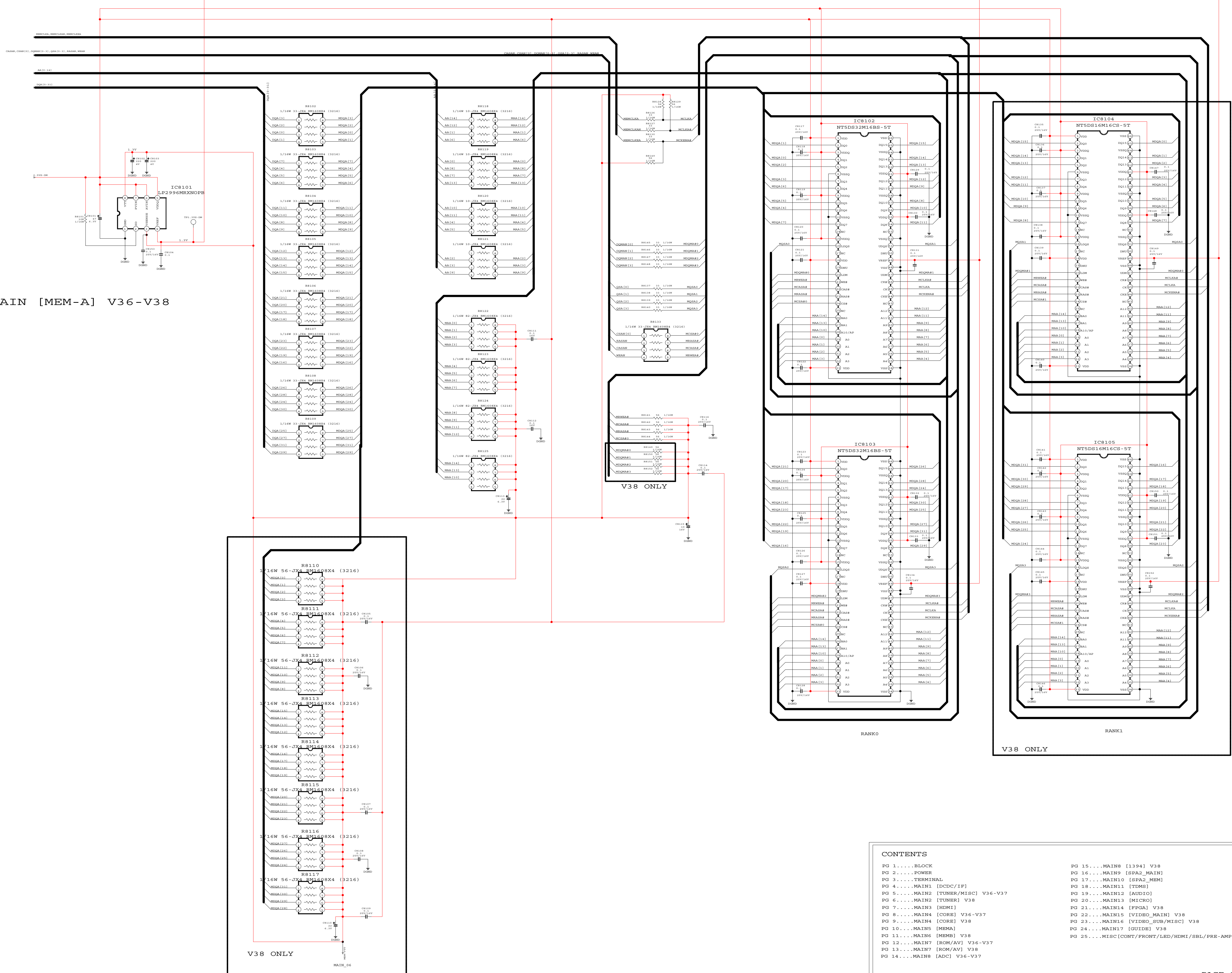


CONTENTS

PG 1...BLOCK	PG 15...MAIN8 [1394] V38	WD-57733 V36
PG 2...POWER	PG 16...MAIN9 [S2A2_MAIN]	WD-65733 V36
PG 3...TERMINAL	PG 17...MAIN10 [S2A2_MBM]	WD-73733 V36
PG 4...MAIN1 [DCDC/IP]	PG 18...MAIN11 [TDM5]	WD-C657 V36L
PG 5...MAIN2 [TUNER/MISC] V36-V37	PG 19...MAIN12 [AUDIO]	WD-57734 V37
PG 6...MAIN2 [TUNER] V38	PG 20...MAIN13 [MICRO]	WD-65734 V37
PG 7...MAIN3 [HDMI]	PG 21...MAIN14 [FPGA] V38	WD-73734 V37
PG 8...MAIN4 [CORE] V36-V37	PG 22...MAIN15 [VIDEO_MAIN] V38	WD-57734 V37
PG 9...MAIN4 [CORE] V38	PG 23...MAIN16 [VIDEO_SUB/MISC] V38	WD-Y577 V37L
PG 10...MAIN5 [MEMA]	PG 24...MAIN17 [GUIDE] V38	WD-65734 V37
PG 11...MAIN6 [MEMB] V38	PG 25...MISC[CONT/FRONT/LCD/HDMI/SBL/PRE-AMP]	WD-Y657 V37L
PG 12...MAIN7 [ROM/AV] V36-V37		WD-57833 V38
PG 13...MAIN7 [ROM/AV] V38		WD-65833 V38
PG 14...MAIN8 [ADC] V36-V37		WD-73833 V38

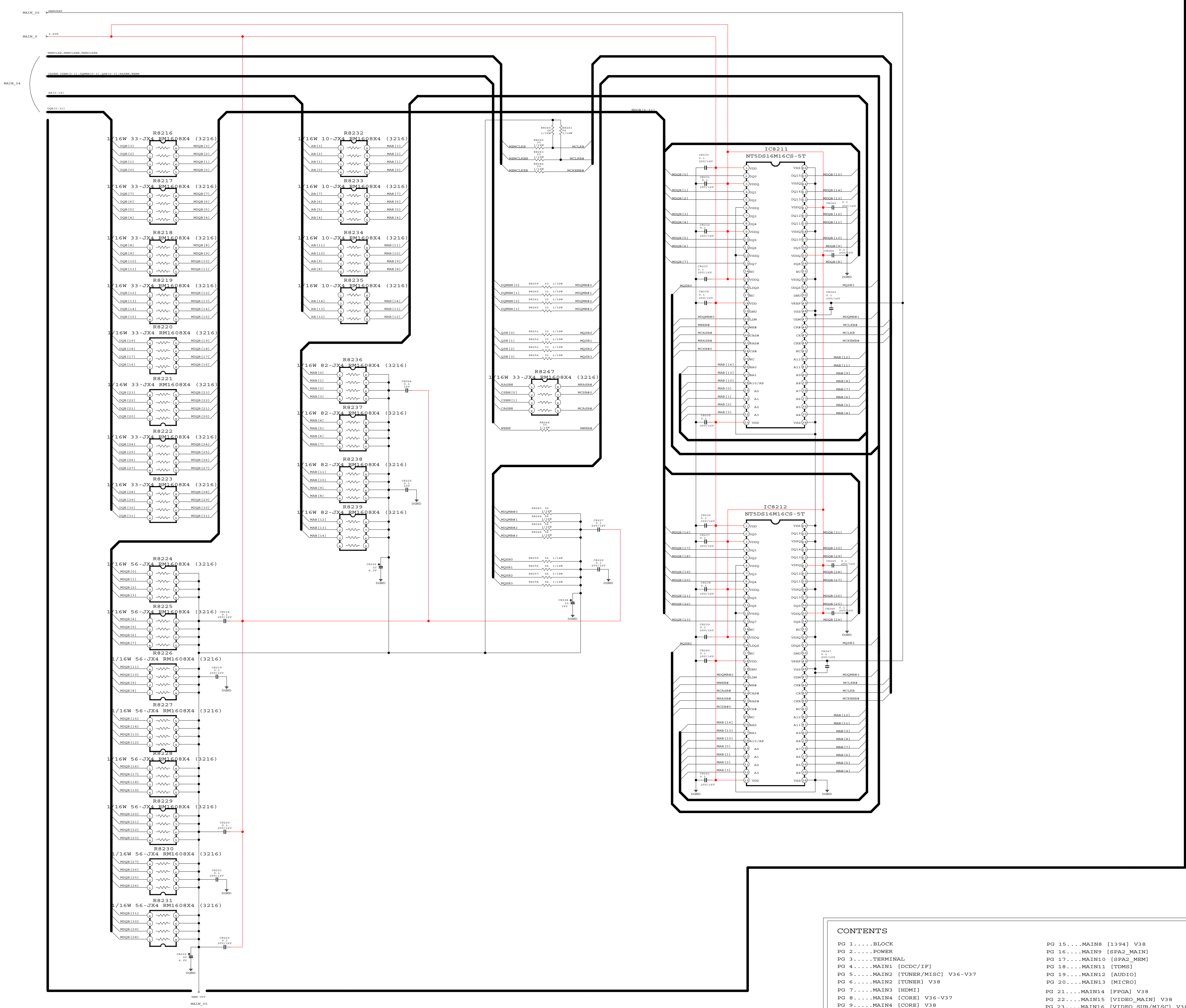
A
B
C
D
E
F
G
H
I
J
K

PG 10.....MAIN [MEM-A] V36-V38



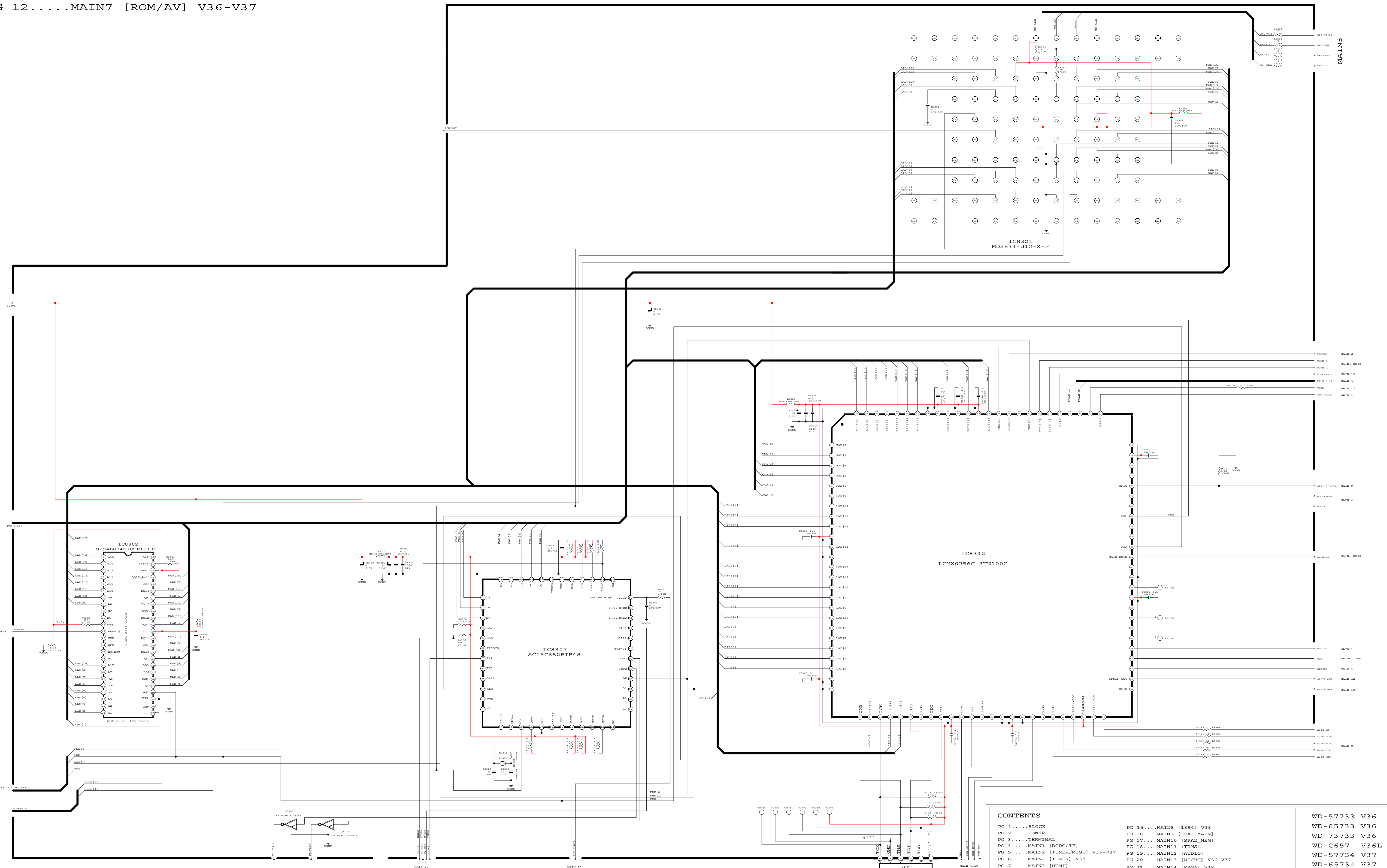
CONTENTS	
PG 1.....BLOCK	PG 15.....MAIN8 [1394] V38
PG 2.....POWER	PG 16.....MAIN9 [SPA2_MAIN]
PG 3.....TERMINAL	PG 17.....MAIN10 [SPA2_MMEM]
PG 4.....MAIN1 [DCC/IF]	PG 18.....MAIN11 [TDMG]
PG 5.....MAIN2 [TUNER/MISC] V36-V37	PG 19.....MAIN12 [AUDIO]
PG 6.....MAIN2 [TUNER] V38	PG 20.....MAIN13 [MICRO]
PG 7.....MAIN3 [HDMI]	PG 21.....MAIN14 [FPGA] V38
PG 8.....MAIN4 [CORE] V36-V37	PG 22.....MAIN15 [VIDEO_MAIN] V38
PG 9.....MAIN4 [CORE] V38	PG 23.....MAIN16 [VIDEO_SUB/MISC] V38
PG 10.....MIMS [MIMA]	PG 24.....MAIN17 [GUIDE] V38
PG 11.....MAIN6 [MEMB] V38	
PG 12.....MAIN7 [ROM/AV] V36-V37	
PG 13.....MAIN7 [ROM/AV] V38	
PG 14.....MAIN8 [ADC] V36-V37	
	PG 25.....MISC [CONT/FRONT/LBD/HDMI/SBL/PRB-AMP]

- WD-5773 V36
- WD-65733 V36
- WD-73733 V36
- WD-C657 V36L
- WD-57734 V37
- WD-65734 V37
- WD-73734 V37
- WD-Y577 V37L
- WD-Y657 V37L
- WD-57833 V38
- WD-65833 V38
- WD-73833 V38



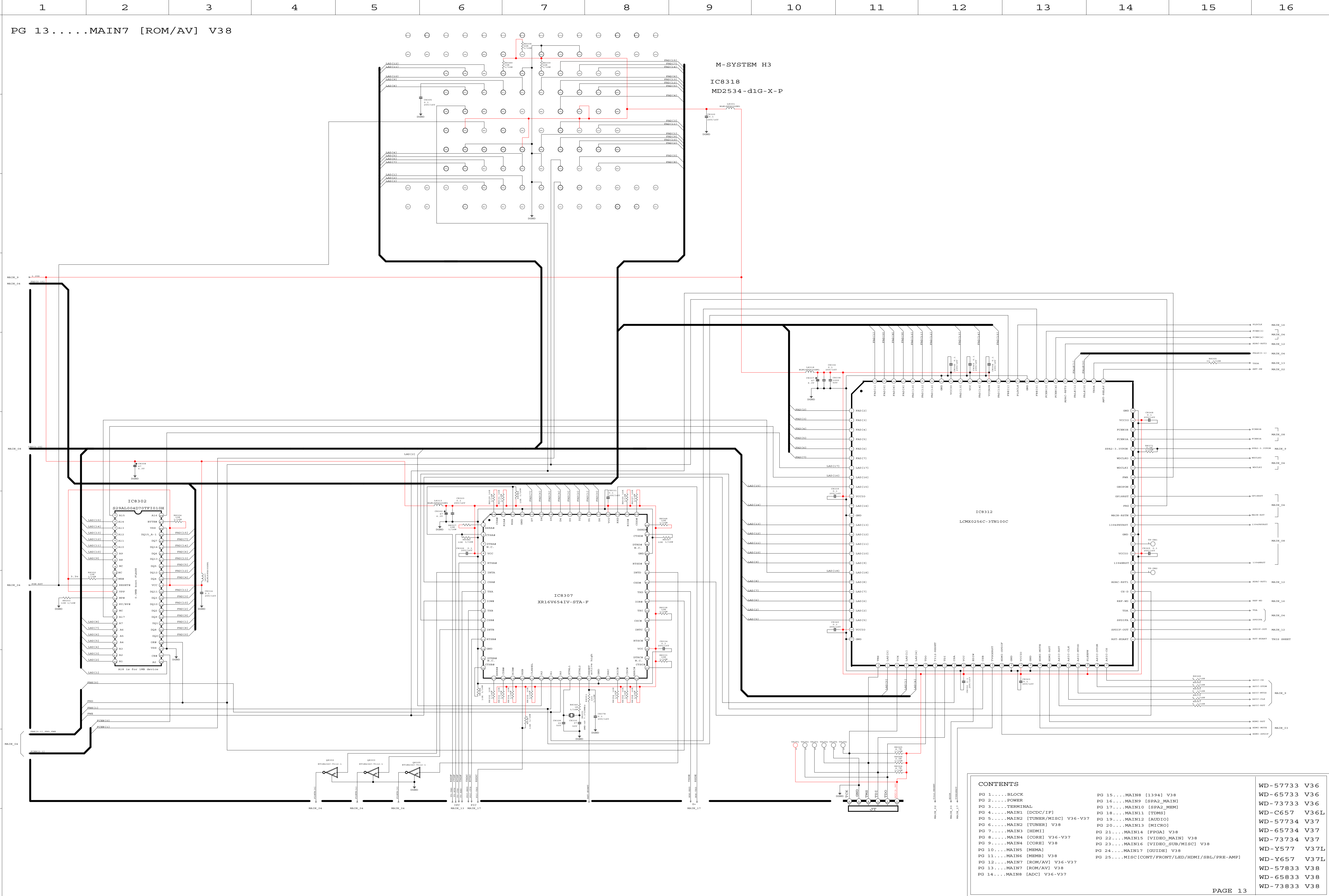
CONTENTS		
PG 1.....BLOCK	PG 15.....MAIN8 [1394] V38	WD-57733 V36
PG 2.....POWER	PG 16.....MAIN9 [SPA2_MAIN]	WD-65733 V36
PG 3.....TERMINAL	PG 17.....MAIN10 [SPA2_MBM]	WD-73733 V36
PG 4.....MAIN1 [DCDC/IF]	PG 18.....MAIN11 [TDMG]	WD-C657 V36L
PG 5.....MAIN2 [TUNER/MISC] V36-V37	PG 19.....MAIN12 [AUDIO]	WD-57734 V37
PG 6.....MAIN2 [TUNER] V38	PG 20.....MAIN13 [MICRO]	WD-57734 V37
PG 7.....MAIN3 [HDMI]	PG 21.....MAIN14 [PFGA] V38	WD-65734 V37
PG 8.....MAIN4 [CORE] V36-V37	PG 22.....MAIN15 [VIDEO_MAIN] V38	WD-73734 V37
PG 9.....MAIN4 [CORE] V38	PG 23.....MAIN16 [VIDEO_SUB/MISC] V38	WD-Y577 V37L
PG 10.....MAIN5 [MEMA]	PG 24.....MAIN17 [GUIDE] V38	WD-Y657 V37L
PG 11.....MAIN6 [MEMB] V38	PG 25.....MISC[CONT/FRONT/LED/HDMI/SBL/PRE-AMP]	WD-57833 V38
PG 12.....MAIN7 [ROM/AV] V36-V37		WD-65833 V38
PG 13.....MAIN7 [ROM/AV] V38		WD-73833 V38
PG 14.....MAIN8 [ADC] V36-V37		

A
B
C
D
E
F
G
H
I
J
K



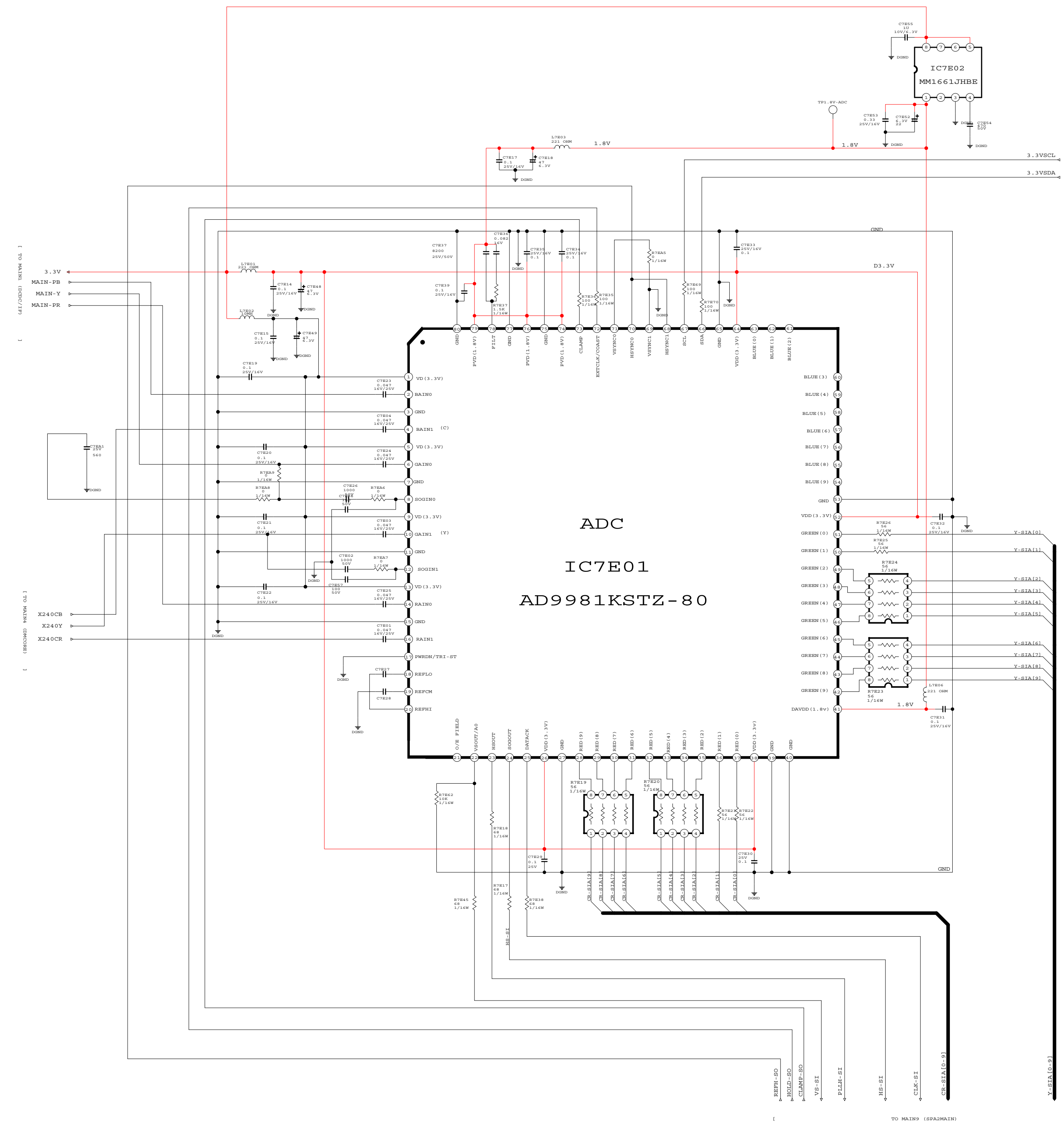
CONTENTS		
PG 1....BLOCK	PG 15....MAIN8 [1394] V38	WD-57733 V36
PG 2....POWER	PG 16....MAIN9 [SPA2_MAIN]	WD-65733 V36
PG 3....TERMINAL	PG 17....MAIN10 [SPA2_MEM]	WD-73733 V36
PG 4....MAIN1 [DCDC/IF]	PG 18....MAIN11 [TDM8]	WD-C657 V36L
PG 5....MAIN2 [TUNER/MISC] V36-V37	PG 19....MAIN12 [AUDIO]	WD-57734 V37
PG 6....MAIN2 [TUNER] V38	PG 20....MAIN13 [MICRO] V36-V37	WD-65734 V37
PG 7....MAIN3 [HDMI]	PG 21....MAIN14 [FPGA] V38	WD-73734 V37
PG 8....MAIN4 [CORE] V36-V37	PG 22....MAIN15 [VIDEO_MAIN] V38	WD-Y577 V37L
PG 9....MAIN4 [CORE] V38	PG 23....MAIN16 [VIDEO_SUB/MISC] V38	WD-Y657 V37L
PG 10....MAIN5 [MEMA]	PG 24....MAIN17 [GUIDE] V38	WD-57833 V38
PG 11....MAIN6 [MEMB] V38	PG 25....MISC [CONT/FRONT/LED/HDMI/SBL/PRE-AMP]	WD-65833 V38
PG 12....MAIN7 [ROM/AV] V36-V37		WD-73833 V38
PG 13....MAIN7 [ROM/AV] V38		
PG 14....MAIN8 [ADC] V36-V37		

A
B
C
D
E
F
G
H
I
J
K

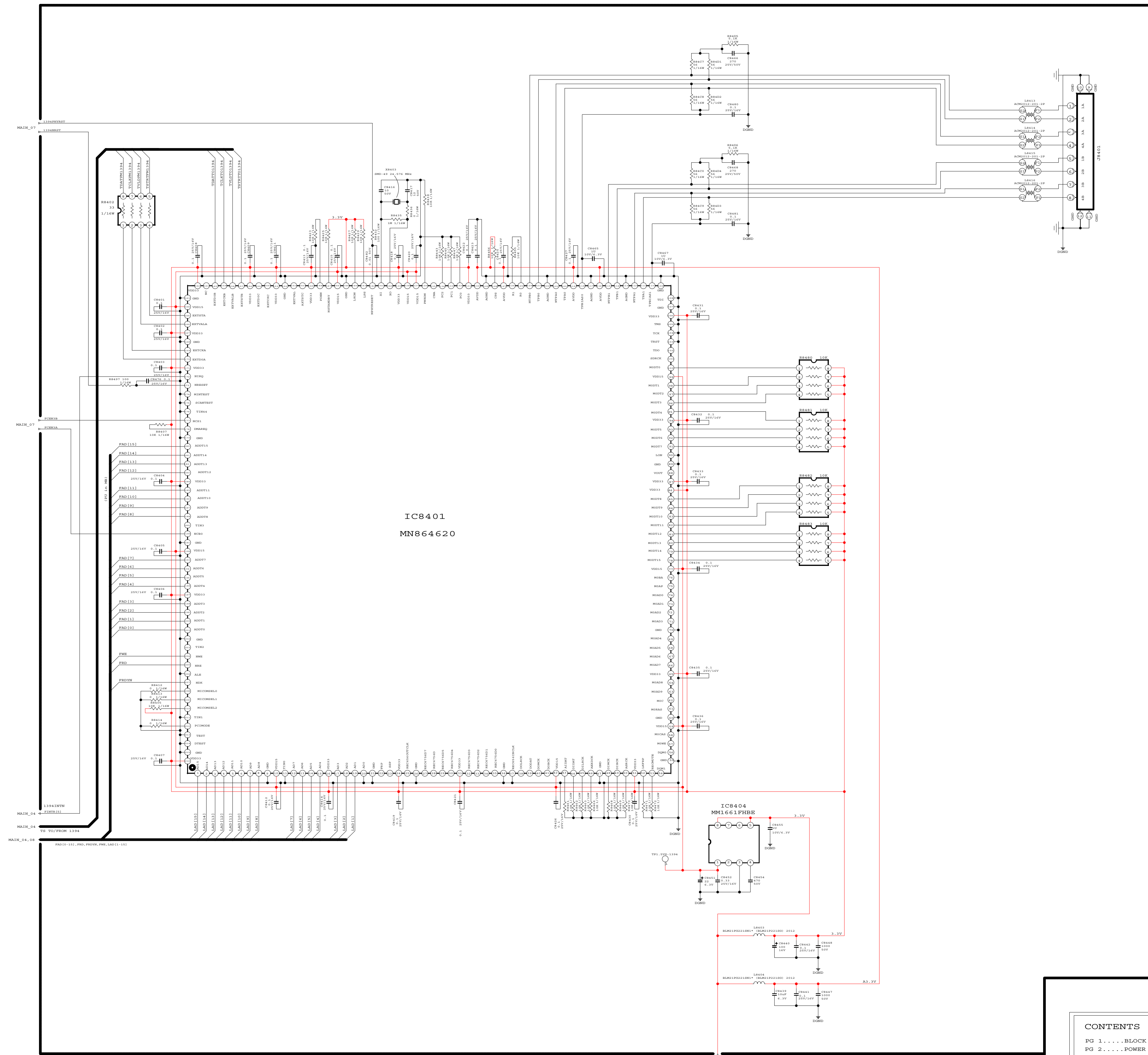


CONTENTS		
PG 1.....BLOCK	PG 15....MAIN8 [1394] V38	WD-57733 V36
PG 2.....POWER	PG 16....MAIN9 [SP2A_MAIN]	WD-65733 V36
PG 3.....TERMINAL	PG 17....MAIN10 [SP2A_MEM]	WD-73733 V36
PG 4.....MAIN1 [DCDC/IF]	PG 18....MAIN11 [TDM]	WD-C657 V36L
PG 5.....MAIN2 [TUNER/MISC] V36-V37	PG 19....MAIN12 [AUDIO]	WD-57734 V37
PG 6.....MAIN3 [TUNER] V38	PG 20....MAIN13 [MICRO]	WD-65734 V37
PG 7.....MAIN4 [HDMI]	PG 21....MAIN14 [FPGA] V38	WD-65734 V37
PG 8.....MAIN5 [CORE] V36-V37	PG 22....MAIN15 [VIDEO_MAIN] V38	WD-73734 V37
PG 9.....MAIN6 [CORE] V38	PG 23....MAIN16 [VIDEO_SUB/MISC] V38	WD-Y577 V37L
PG 10....MAIN5 [MEMA]	PG 24....MAIN17 [GUIDE] V38	WD-Y657 V37L
PG 11....MAIN6 [MEMB] V38	PG 25....MISC[CONF/FRONT/LED/HDMI/SBL/PRR-AMP]	WD-Y657 V37L
PG 12....MAIN7 [ROM/AV] V36-V37		WD-57833 V38
PG 13....MAIN7 [ROM/AV] V38		WD-65833 V38
PG 14....MAIN8 [ADC] V36-V37		WD-73833 V38

A
B
C
D
E
F
G
H
I
J
K

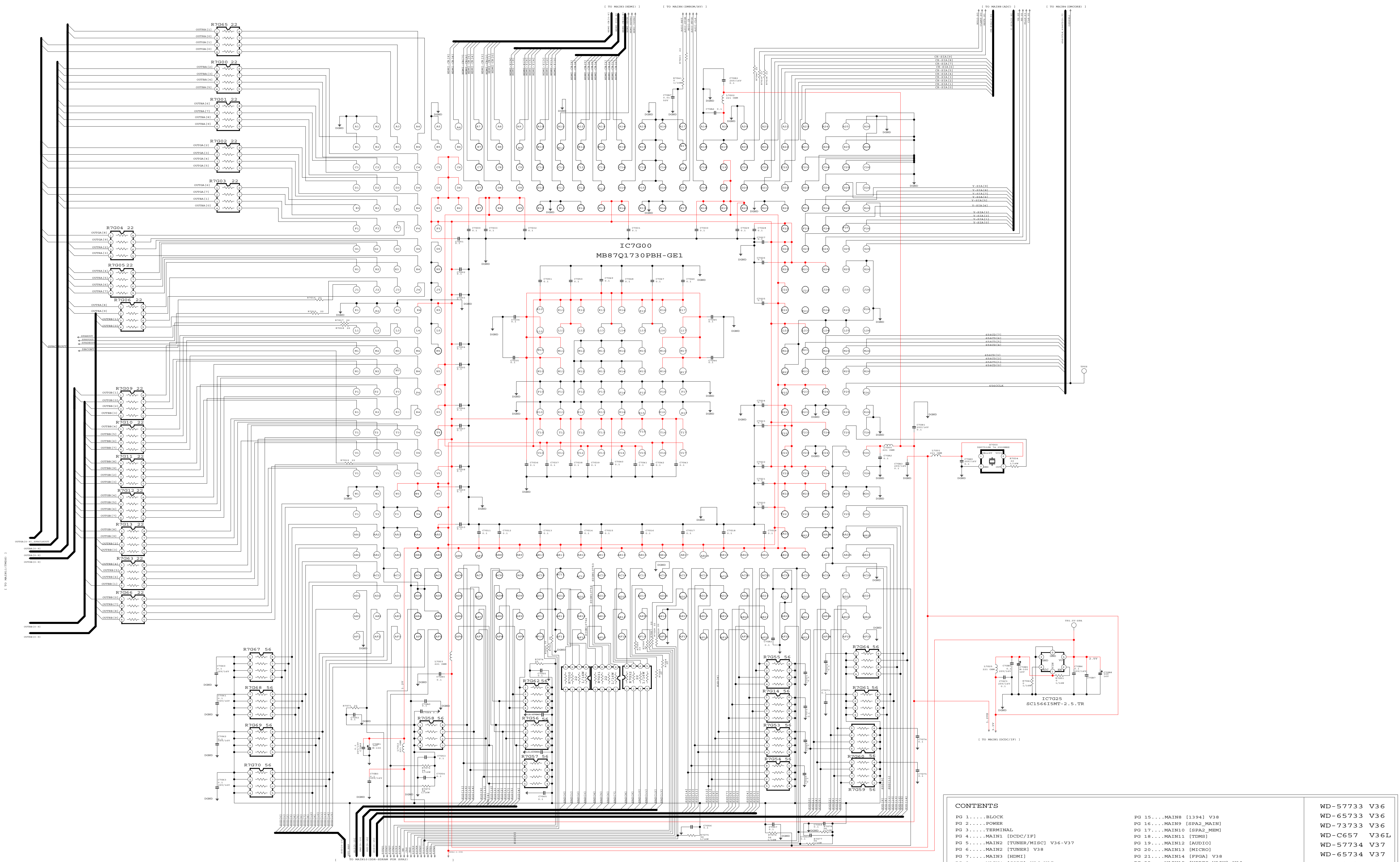


CONTENTS		
PG 1.....BLOCK	PG 15.....MAIN8 [I394] V38	WD-57733 V36
PG 2.....POWER	PG 16.....MAIN9 [SPA2_MAIN]	WD-65733 V36
PG 3.....TERMINAL	PG 17.....MAIN10 [SPA2_MEM]	WD-73733 V36
PG 4.....MAIN1 [DCDC/IP]	PG 18.....MAIN11 [TDMS]	WD-C657 V36L
PG 5.....MAIN2 [TUNER/MISC] V36-V37	PG 19.....MAIN12 [AUDIO]	WD-57734 V37
PG 6.....MAIN3 [TUNER] V38	PG 20.....MAIN13 [MICRO]	WD-65734 V37
PG 7.....MAIN3 [HDMI]	PG 21.....MAIN14 [FPGA] V38	WD-73734 V37
PG 8.....MAIN4 [CORR] V36-V37	PG 22.....MAIN15 [VIDEO_MAIN] V38	WD-57734 V37
PG 9.....MAIN4 [CORR] V38	PG 23.....MAIN16 [VIDEO_SUB/MISC] V38	WD-Y657 V37L
PG 10.....MAIN5 [MEMA]	PG 24.....MAIN17 [GUIDE] V38	WD-57833 V38
PG 11.....MAIN6 [MEMB] V38	PG 25.....MISC [CONT/FRONT/LED/HDMI/SBL/PRE-AMP]	WD-65833 V38
PG 12.....MAIN7 [ROM/AV] V36-V37		WD-73833 V38
PG 13.....MAIN7 [ROM/AV] V38		
PG 14.....MAIN8 [ADC] V36-V37		

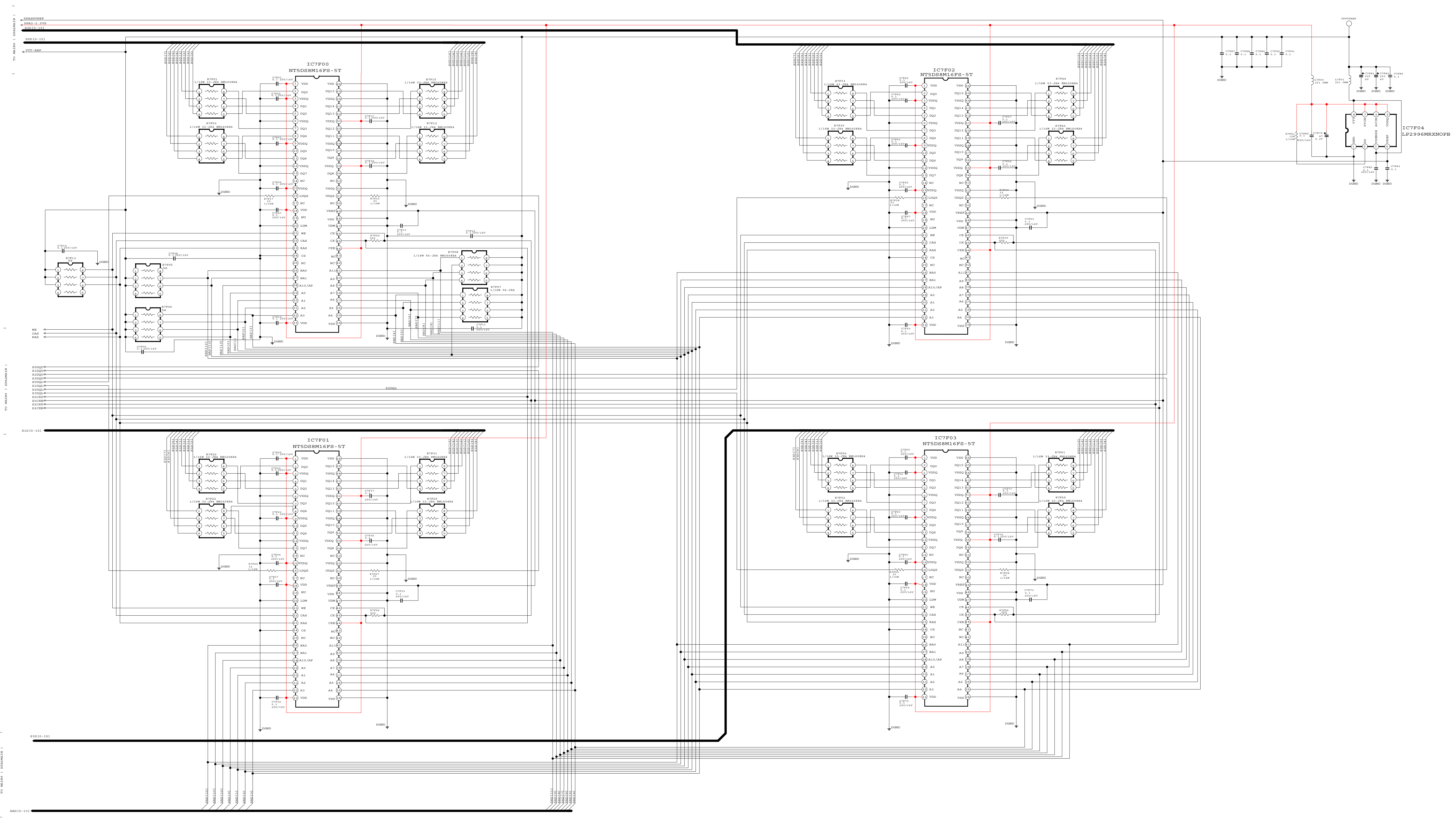


CONTENTS		
PG 1.....BLOCK	PG 15.....MAIN8 [1394] V38	WD-57733 V36
PG 2.....POWER	PG 16.....POWER	WD-65733 V36
PG 3.....TERMINAL	PG 17.....MAIN10 [SPA2_MEM]	WD-73733 V36
PG 4.....MAIN1 [DCDC/TP]	PG 18.....MAIN11 [TDM6]	WD-C657 V36L
PG 5.....MAIN2 [TUNER/MISC] V36-V37	PG 19.....MAIN12 [AUDIO]	WD-57734 V37
PG 6.....MAIN2 [TUNER] V38	PG 20.....MAIN13 [MICRO]	WD-65734 V37
PG 7.....MAIN3 [HDMI]	PG 21.....MAIN14 [FPGA] V38	WD-73734 V37
PG 8.....MAIN4 [CORR] V36-V37	PG 22.....MAIN15 [VIDBO_MAIN] V38	WD-73734 V37
PG 9.....MAIN4 [CORE] V38	PG 23.....MAIN16 [VIDBO_SUB/MISC] V38	WD-Y577 V37L
PG 10.....MAIN5 [MEMA]	PG 24.....MAIN17 [GUIDE] V38	WD-Y657 V37L
PG 11.....MAIN6 [MEMB] V38	PG 25.....MISC [CONT/FRONT/LED/HDMI/SBL/PRE-AMP]	WD-Y657 V37L
PG 12.....MAIN7 [ROM/AV] V36-V37		WD-57833 V38
PG 13.....MAIN7 [ROM/AV] V38		WD-65833 V38
PG 14.....MAIN8 [ADC] V36-V37		WD-73833 V38

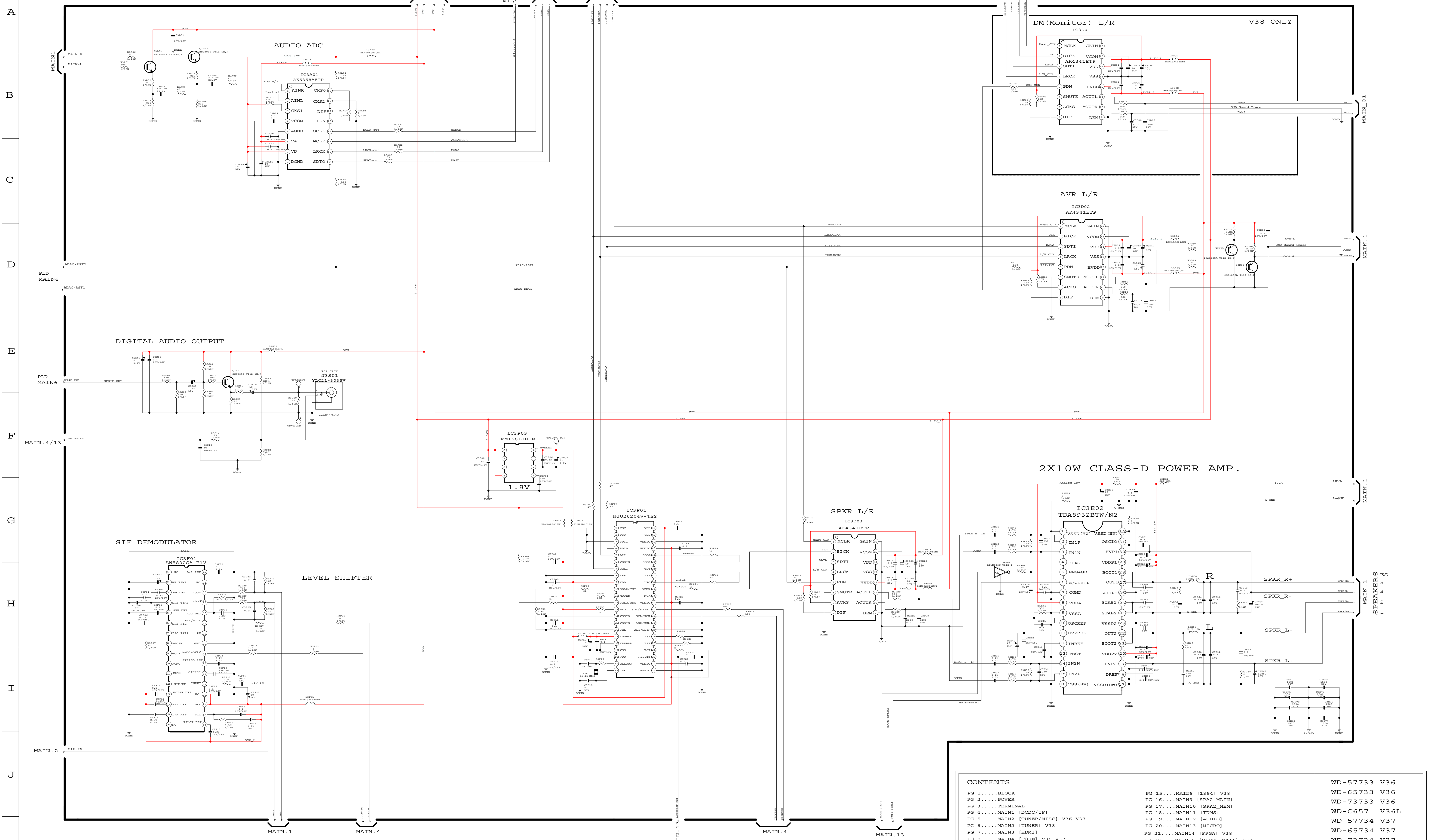
A
B
C
D
E
F
G
H
I
J
K



CONTENTS		
PG 1....BLOCK	PG 15....MAIN8 [1394] V38	WD-57733 V36
PG 2....POWER	PG 16....MAIN9 [SPA2_MAIN]	WD-65733 V36
PG 3....TERMINAL	PG 17....MAIN10 [SPA2_MBM]	WD-73733 V36
PG 4....MAIN1 [DCDC/IP]	PG 18....MAIN11 [TDM5]	WD-C657 V36L
PG 5....MAIN2 [TUNER/MISC] V36-V37	PG 19....MAIN12 [AUDIO]	WD-57734 V37
PG 6....MAIN2 [TUNER] V38	PG 20....MAIN13 [MICRO]	WD-65734 V37
PG 7....MAIN3 [HDMI]	PG 21....MAIN14 [FPGA] V38	WD-73734 V37
PG 8....MAIN4 [CORE] V36-V37	PG 22....MAIN15 [VIDEO_MAIN] V38	WD-Y577 V37L
PG 9....MAIN4 [CORE] V38	PG 23....MAIN16 [VIDEO_SUB/MISC] V38	WD-Y657 V37L
PG 10....MAINS [MEMA]	PG 24....MAIN17 [GUIDE] V38	WD-57833 V38
PG 11....MAINS [MEMB] V38	PG 25....MISC [CONT/FRONT/LED/HDMI/SBL/PRE-AMP]	WD-65833 V38
PG 12....MAIN7 [ROM/AV] V36-V37		WD-73833 V38
PG 13....MAIN7 [ROM/AV] V38		
PG 14....MAINS [ADC] V36-V37		

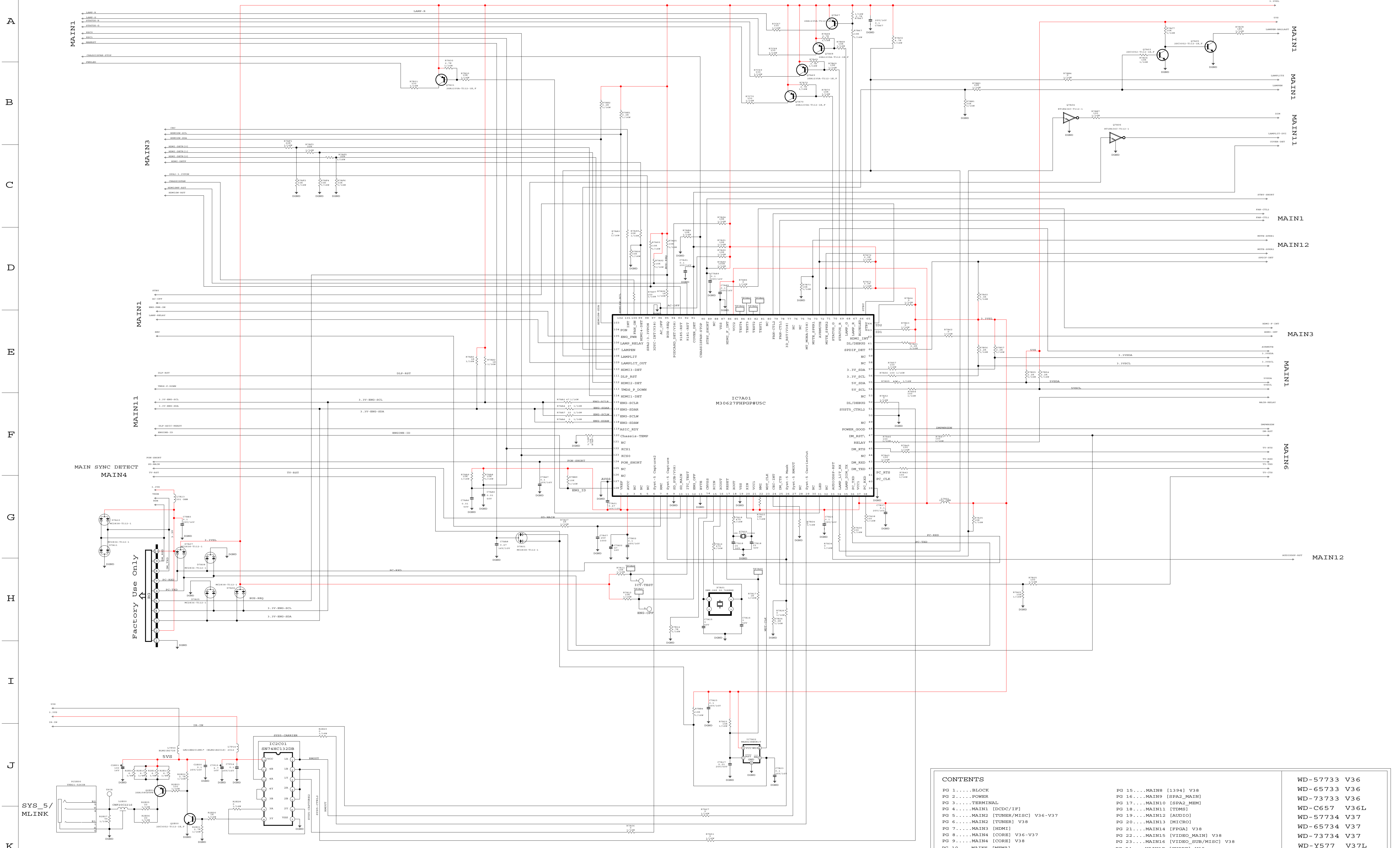


CONTENTS		
PG 1.....BLOCK	PG 15.....MAIN8 [1394] V38	WD-57733 V36
PG 2.....POWER	PG 16.....MAIN9 [SPA2_MAIN]	WD-65733 V36
PG 3.....TERMINAL	PG 17.....MAIN10 [SPA2_MEM]	WD-73733 V36
PG 4.....MAIN1 [DCDC/FP]	PG 18.....MAIN11 [TMS]	WD-C657 V36L
PG 5.....MAIN2 [TUNER/MISC] V36-V37	PG 19.....MAIN12 [AUDIO]	WD-57734 V37
PG 6.....MAIN3 [TUNER] V38	PG 20.....MAIN13 [MICRO]	WD-65734 V37
PG 7.....MAIN3 [HDMI]	PG 21.....MAIN14 [FGA] V38	WD-73734 V37
PG 8.....MAIN4 [CORE] V36-V37	PG 22.....MAIN15 [VIDEO_MAIN] V38	WD-Y577 V37L
PG 9.....MAIN4 [CORE] V38	PG 23.....MAIN16 [VIDEO_SUB/MISC] V38	WD-Y657 V37L
PG 10.....MAIN5 [MEMA]	PG 24.....MAIN17 [GUIDE] V38	WD-57833 V38
PG 11.....MAIN6 [MEMB] V38	PG 25.....MISC [CONT/FRONT/LED/HDMI/SBL/PRE-AMP]	WD-57833 V38
PG 12.....MAIN7 [ROM/AV] V36-V37		WD-73833 V38
PG 13.....MAIN7 [ROM/AV] V38		
PG 14.....MAIN8 [ADC] V36-V37		



CONTENTS	
PG 1....BLOCK	PG 15....MAIN8 [1394] V38
PG 2....POWER	PG 16....MAIN9 [SPA2_MAIN]
PG 3....TERMINAL	PG 17....MAIN10 [SPA2_MEM]
PG 4....MAIN1 [DCDC/IF]	PG 18....MAIN11 [TMS]
PG 5....MAIN2 [TUNER/MISC] V36-V37	PG 19....MAIN12 [AUDIO]
PG 6....MAIN2 [TUNER] V38	PG 20....MAIN13 [MICRO]
PG 7....MAIN3 [HDMI]	PG 21....MAIN14 [FPGA] V38
PG 8....MAIN4 [CORE] V36-V37	PG 22....MAIN15 [VIDEO_MAIN] V38
PG 9....MAIN4 [CORE] V38	PG 23....MAIN16 [VIDEO_SUB/MISC] V38
PG 10....MAIN5 [MEM]	PG 24....MAIN17 [GUIDE] V38
PG 11....MAIN6 [MEMB] V38	PG 25....MISC [CONT/FRONT/LED/HDMI/SBL/PRE-AMP]
PG 12....MAIN7 [ROM/AV] V36-V37	
PG 13....MAIN7 [ROM/AV] V38	
PG 14....MAIN8 [ADC] V36-V37	

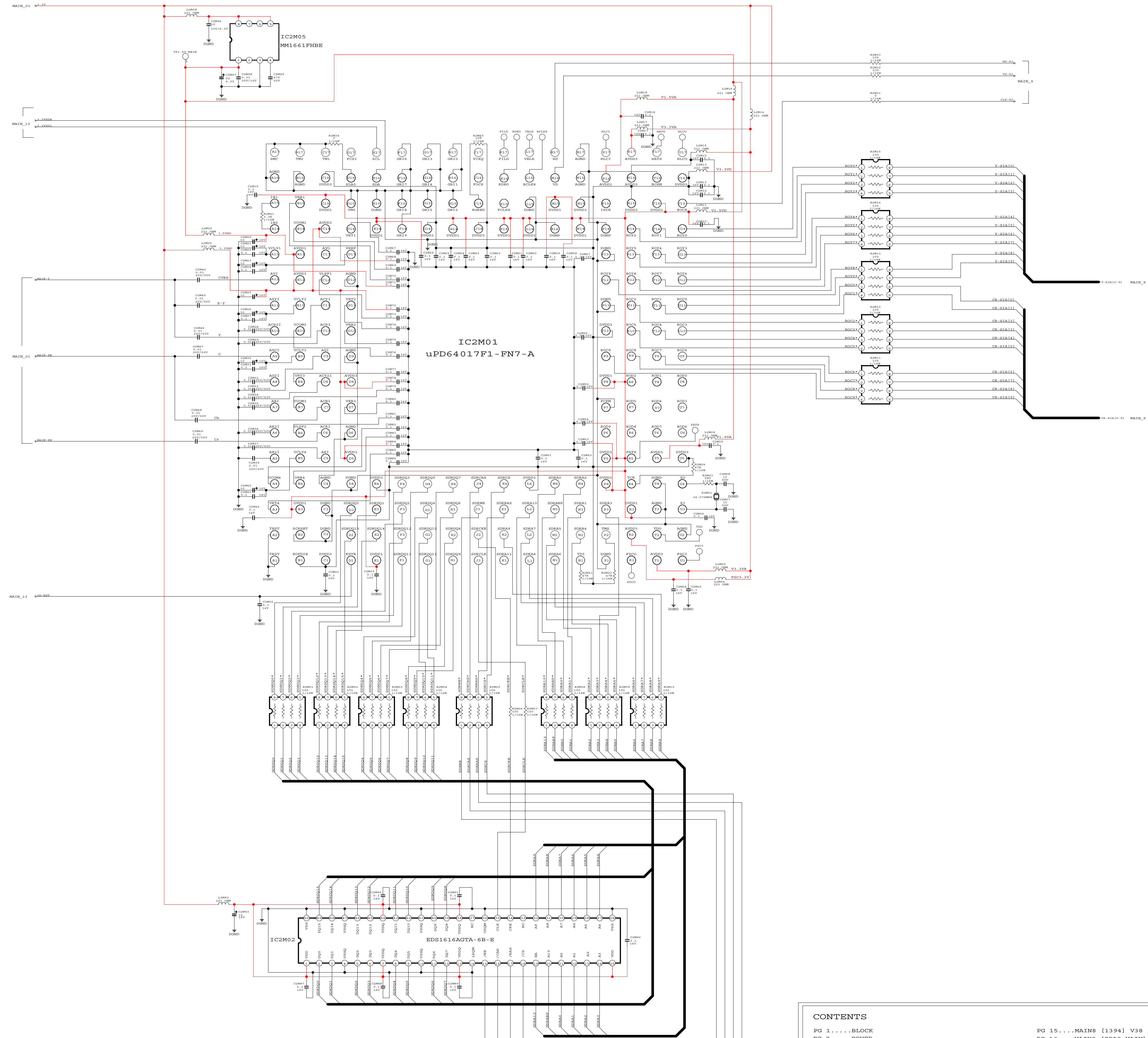
WD-57733	V36
WD-65733	V36
WD-73733	V36
WD-C657	V36L
WD-57734	V37
WD-65734	V37
WD-73734	V37
WD-Y577	V37L
WD-Y657	V37L
WD-57833	V38
WD-65833	V38
WD-73833	V38



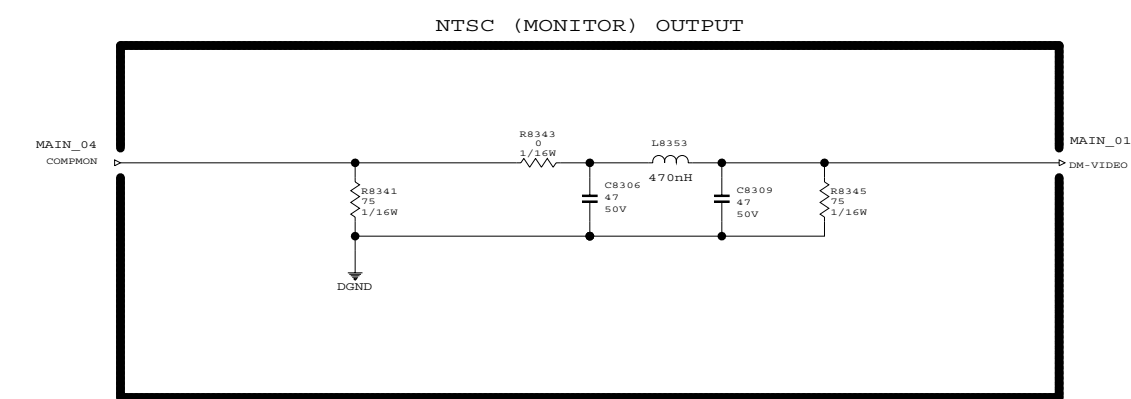
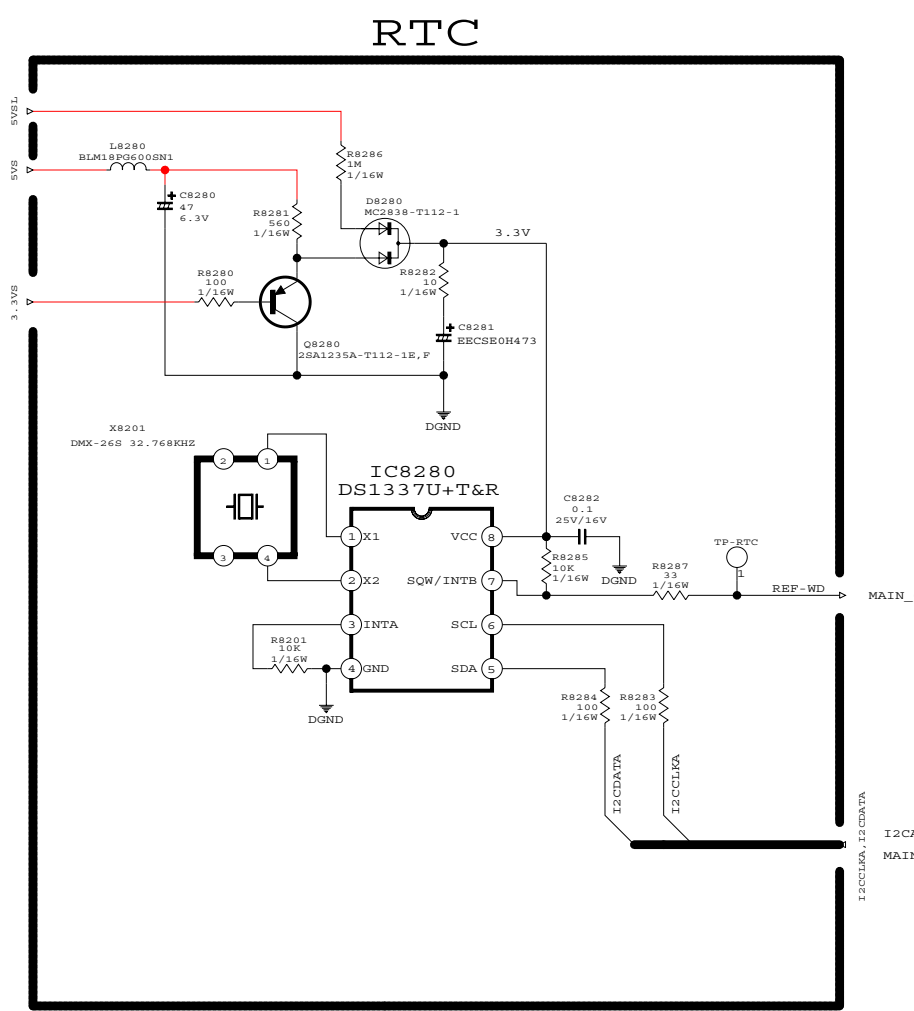
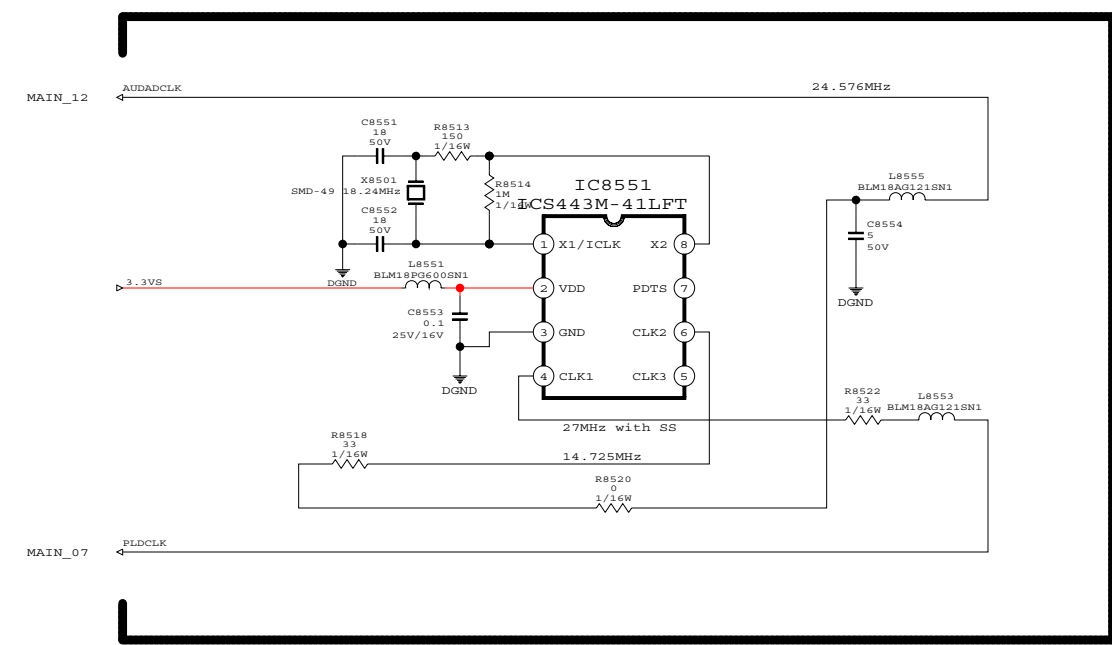
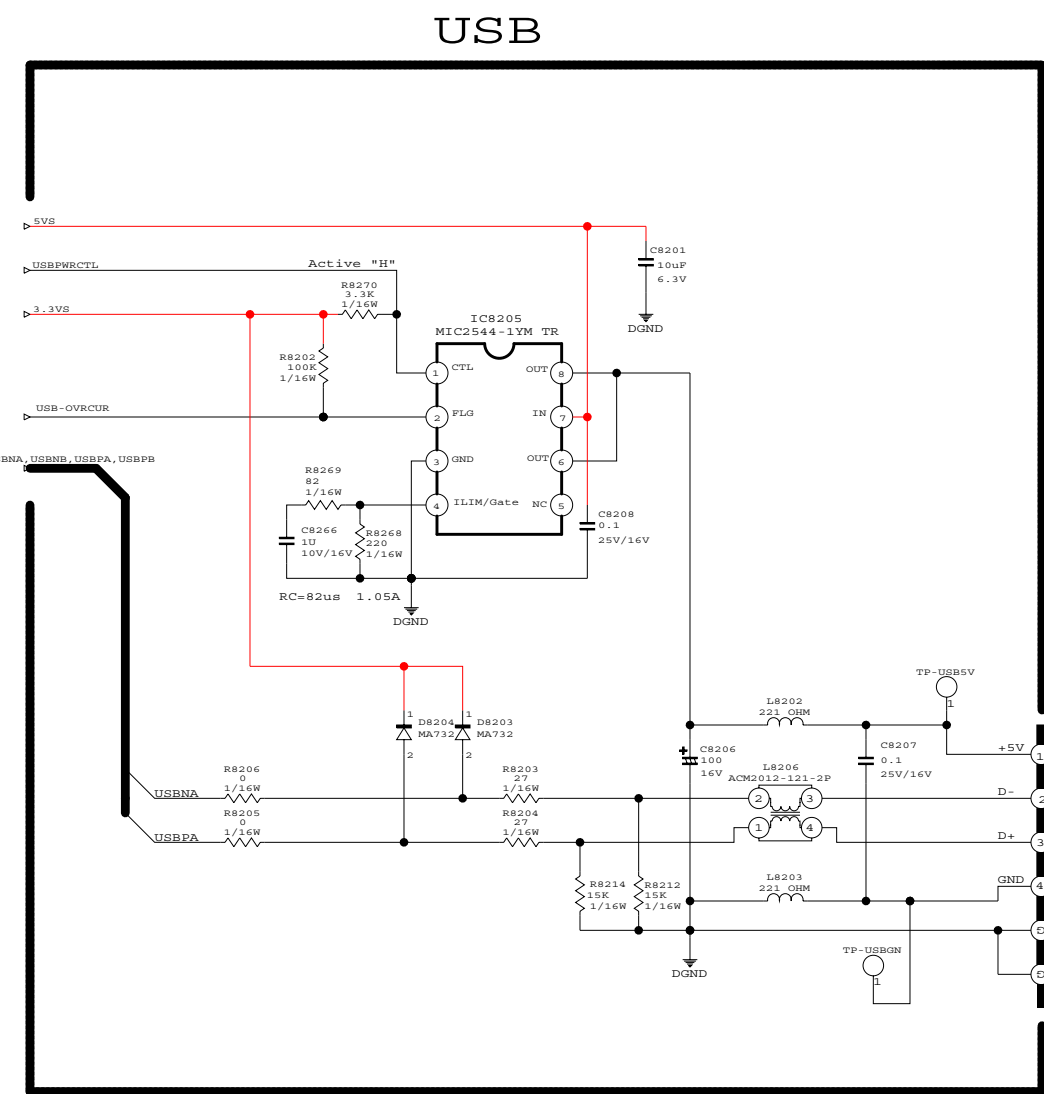
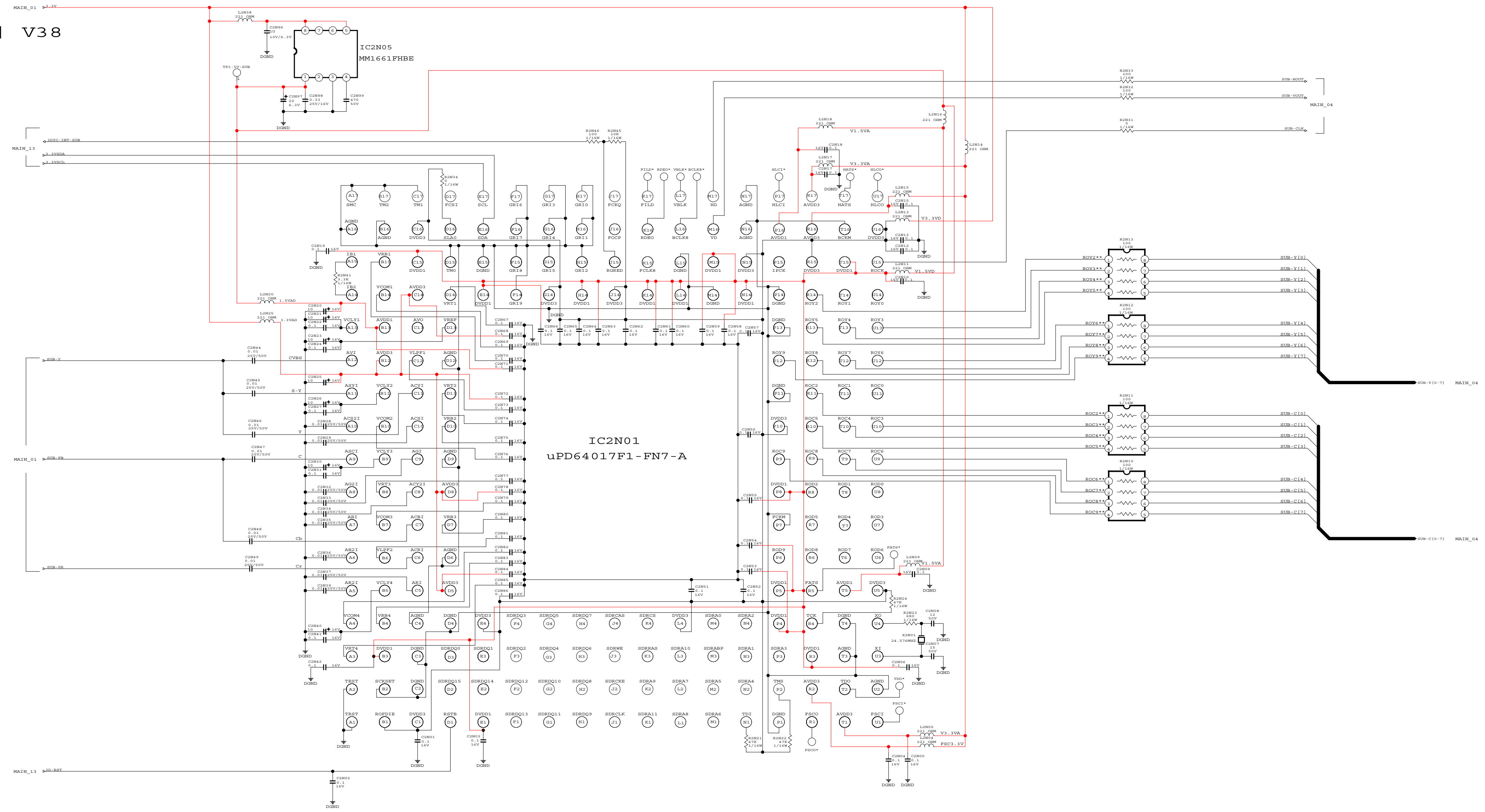
CONTENTS	
PG 1.....BLOCK	PG 15....MAIN8 [1394] V38
PG 2.....POWER	PG 16....MAIN9 [SPA2_MAIN]
PG 3.....TERMINAL	PG 17....MAIN10 [SPA2_MEM]
PG 4.....MAIN1 [DCDC/IP]	PG 18....MAIN11 [TDM]
PG 5.....MAIN2 [TUNER/MISC] V36-V37	PG 19....MAIN12 [AUDIO]
PG 6.....MAIN3 [TUNER] V38	PG 20....MAIN13 [MICRO]
PG 7.....MAIN4 [HDMI]	PG 21....MAIN14 [FPGA] V38
PG 8.....MAIN5 [CORE] V36-V37	PG 22....MAIN15 [VIDEO_MAIN] V38
PG 9.....MAIN6 [CORE] V38	PG 23....MAIN16 [VIDEO_SUB/MISC] V38
PG 10....MAIN7 [MEMA]	PG 24....MAIN17 [GUIDE] V38
PG 11....MAIN8 [MEMB] V38	PG 25....MISC [CONT/FRONT/LED/HDMI/SBL/PRE-AMP]
PG 12....MAIN9 [ROM/AV] V36-V37	
PG 13....MAIN10 [ROM/AV] V38	
PG 14....MAIN11 [ADC] V36-V37	

- WD-57733 V36
- WD-65733 V36
- WD-73733 V36
- WD-C657 V36L
- WD-57734 V37
- WD-65734 V37
- WD-73734 V37
- WD-Y577 V37L
- WD-Y657 V37L
- WD-57833 V38
- WD-65833 V38
- WD-73833 V38

A
B
C
D
E
F
G
H
I
J
K



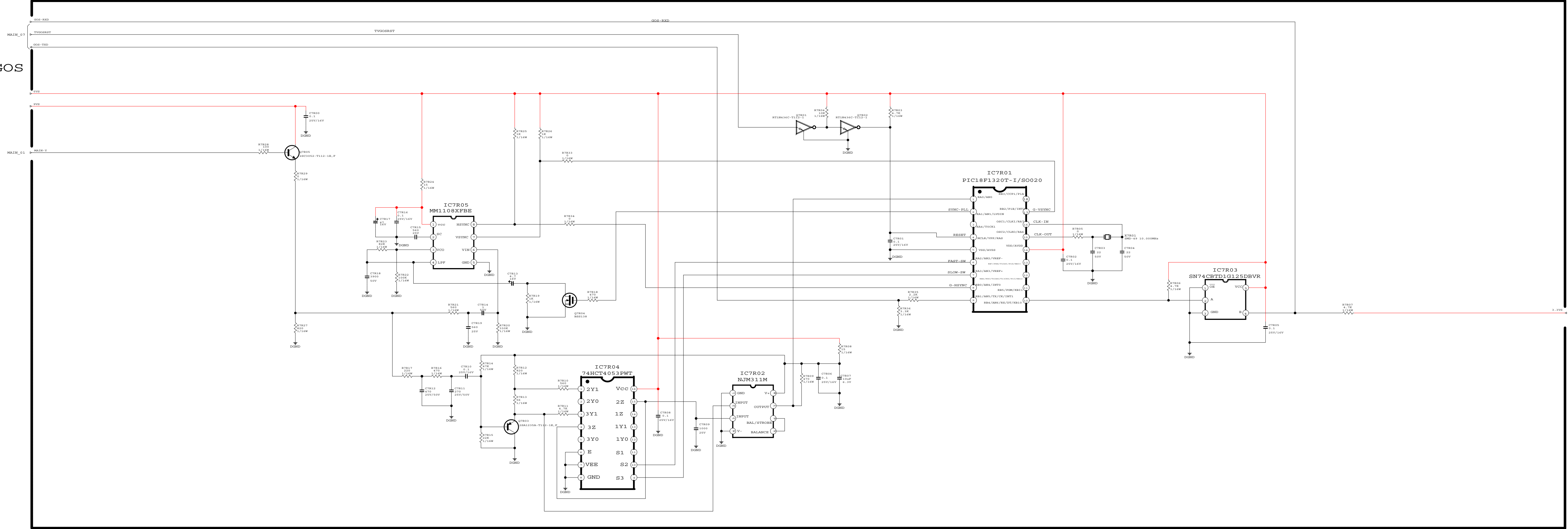
CONTENTS		
PG 1....BLOCK	PG 15....MAIN8 [1394] V38	WD-57733 V36
PG 2....POWER	PG 16....MAIN9 [SPA2_MAIN]	WD-65733 V36
PG 3....TERMINAL	PG 17....MAIN10 [SPA2_MEM]	WD-73733 V36
PG 4....MAIN1 [DCDC/IP]	PG 18....MAIN11 [TDMS]	WD-C657 V36L
PG 5....MAIN2 [TUNER/MISC] V36-V37	PG 19....MAIN12 [AUDIO]	WD-57734 V37
PG 6....MAIN3 [TUNER] V38	PG 20....MAIN13 [MICRO]	WD-65734 V37
PG 7....MAIN4 [CORE] V36-V37	PG 21....MAIN14 [PPGA] V38	WD-73734 V37
PG 8....MAIN4 [CORE] V36-V37	PG 22....MAIN15 [VIDEO_MAIN] V38	WD-5777 V37L
PG 9....MAIN4 [CORE] V38	PG 23....MAIN16 [VIDEO_SUB/MISC] V38	WD-Y657 V37L
PG 10....MAIN5 [MEMA]	PG 24....MAIN17 [GUIDE] V38	WD-Y657 V37L
PG 11....MAIN6 [MEMB] V38	PG 25....MISC [CONT/FRONT/LED/HDMI/SBL/PRE-AMP]	WD-57833 V38
PG 12....MAIN7 [ROM/AV] V36-V37		WD-65833 V38
PG 13....MAIN7 [ROM/AV] V38		WD-73833 V38
PG 14....MAIN8 [ADC] V36-V37		



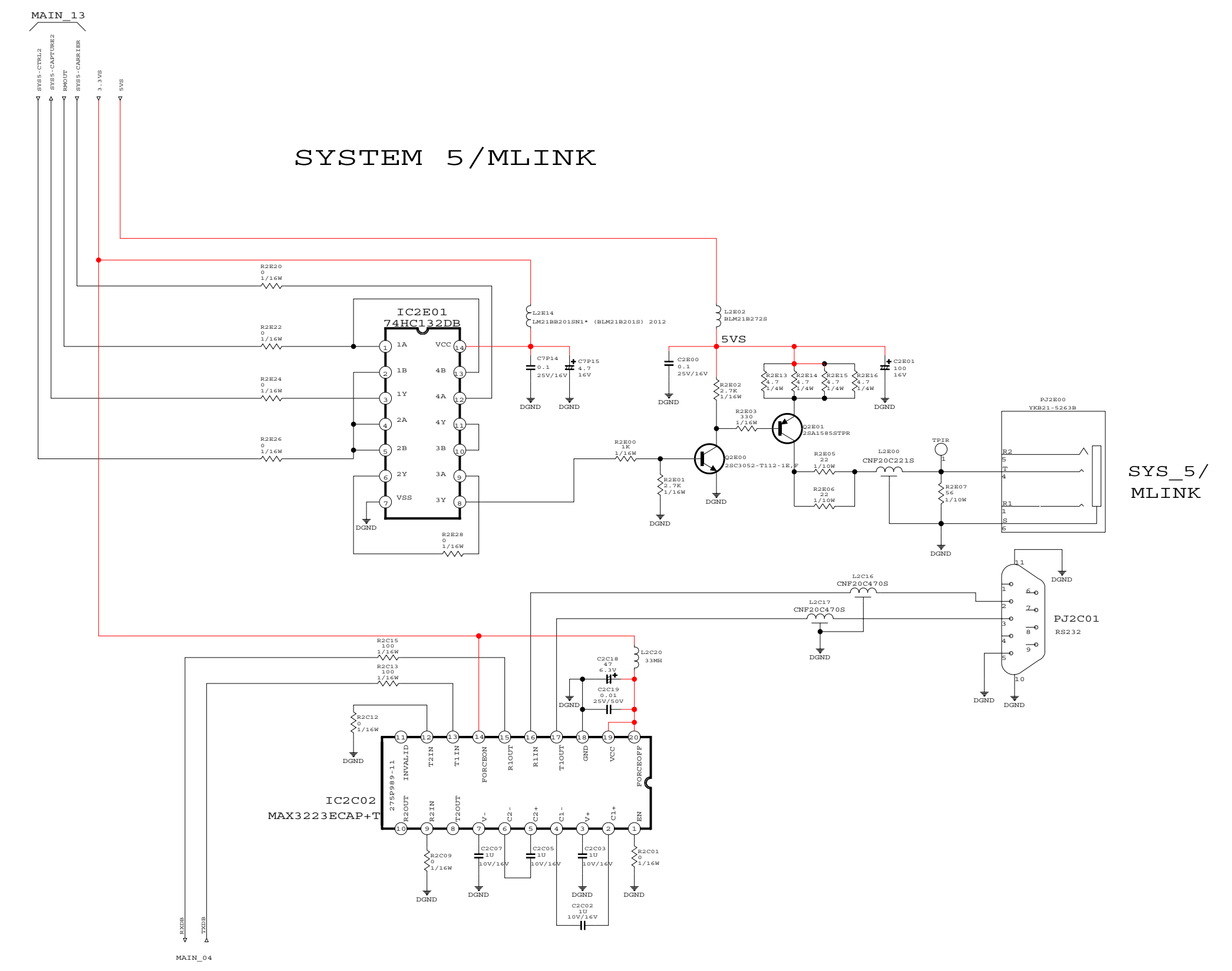
CONTENTS		
PG 1....BLOCK	PG 15....MAIN8 [3394] V38	WD-57733 V36
PG 2....POWER	PG 16....MAIN9 [SPA2_MAIN]	WD-65733 V36
PG 3....TERMINAL	PG 17....MAIN10 [SPA2_MM]	WD-73733 V36
PG 4....MAIN1 [DCDC/IF]	PG 18....MAIN11 [TDM]	WD-C657 V36L
PG 5....MAIN2 [TUNER/MISC] V36-V37	PG 19....MAIN12 [AUDIO]	WD-57734 V37
PG 6....MAIN3 [TUNER] V38	PG 20....MAIN13 [MICRO]	WD-65734 V37
PG 7....MAIN4 [HDMI]	PG 21....MAIN14 [FPGA] V38	WD-57734 V37
PG 8....MAIN5 [CORE] V36-V37	PG 22....MAIN15 [VIDEO_MAIN] V38	WD-73734 V37
PG 9....MAIN6 [CORE] V38	PG 23....MAIN16 [VIDEO_SUB/MISC] V38	WD-Y577 V37L
PG 10....MANS [MEMA]	PG 24....MAIN17 [GUIDE] V38	WD-Y657 V37L
PG 11....MAIN8 [MEMB] V38	PG 25....MISC [CONT/FRONT/LED/HDMI/SBL/PRE-AMP]	WD-57833 V38
PG 12....MAIN7 [ROM/AV] V36-V37		WD-65833 V38
PG 13....MAIN7 [ROM/AV] V38		WD-73833 V38
PG 14....MAIN8 [ADC] V36-V37		

A
B
C
D
E
F
G
H
I
J
K

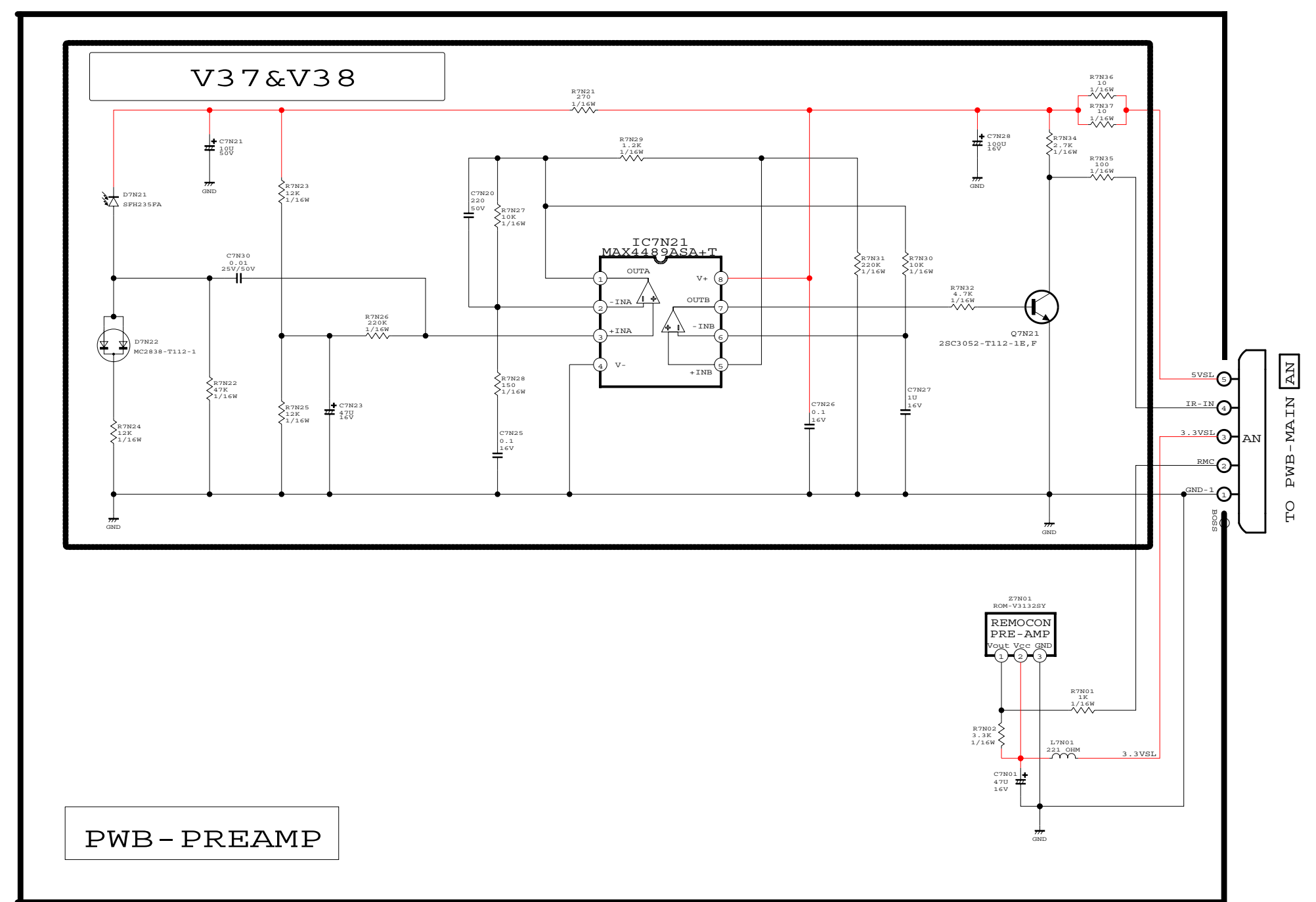
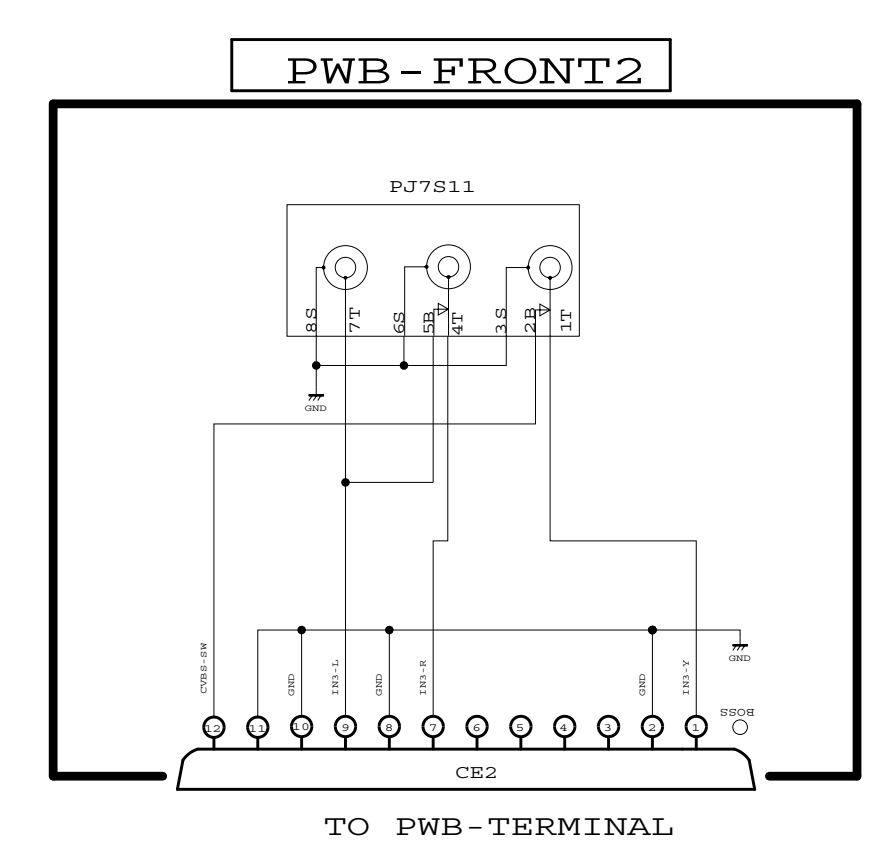
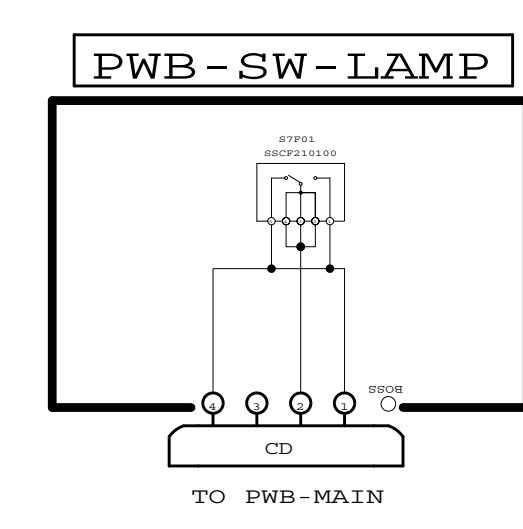
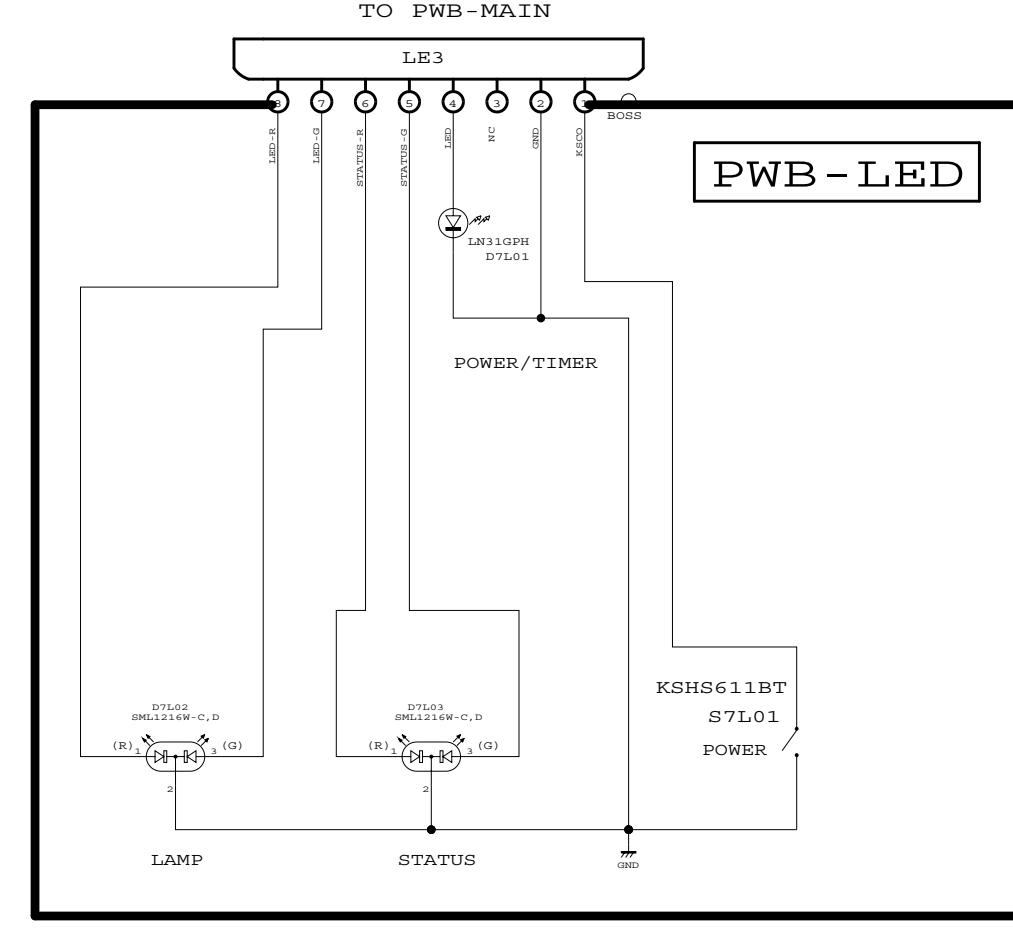
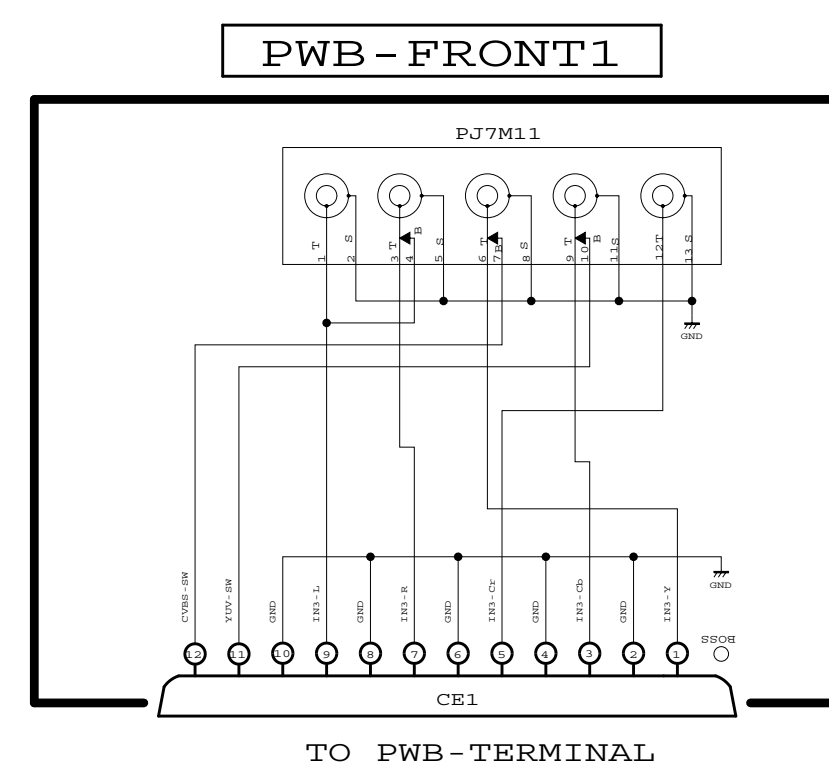
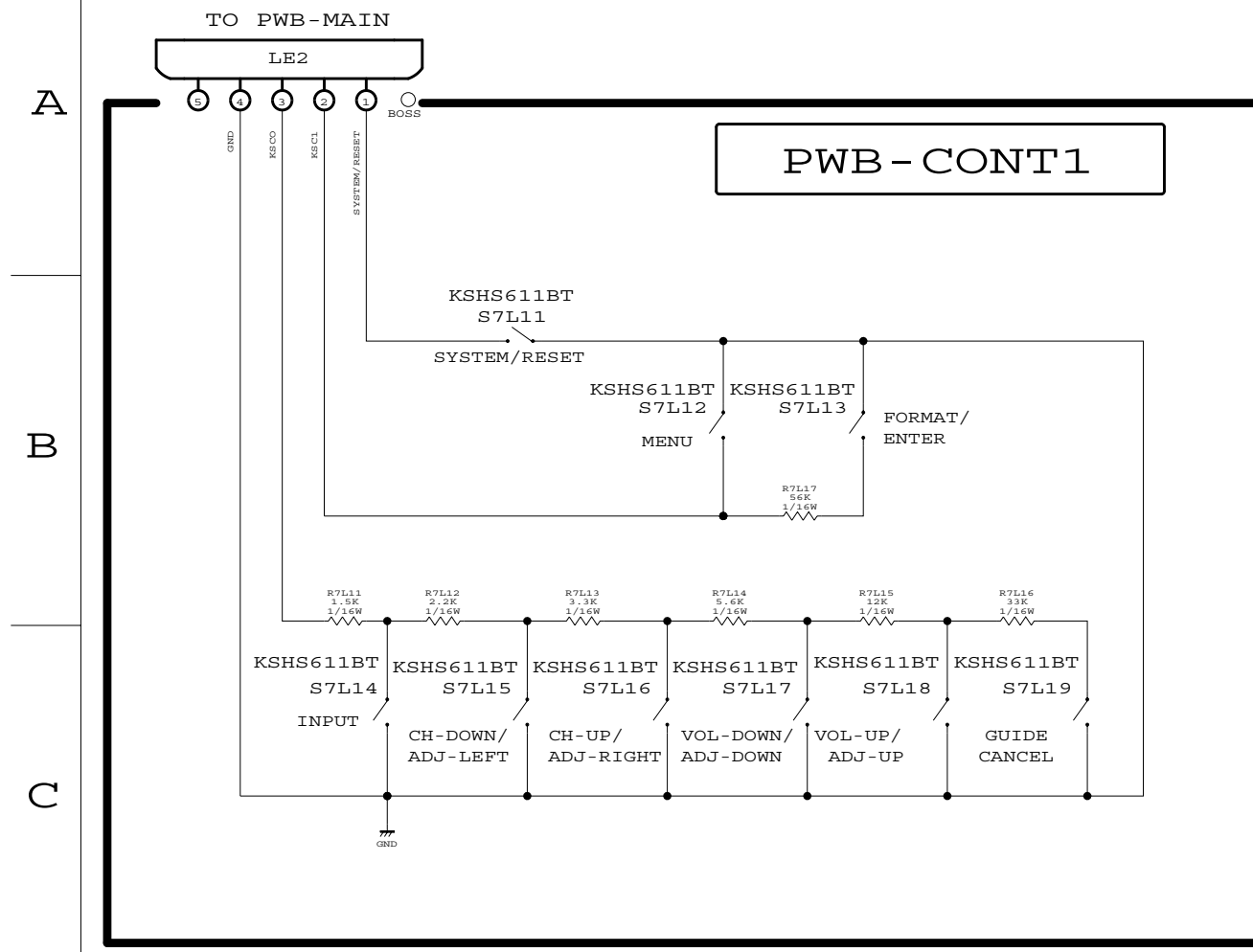
TVGOS



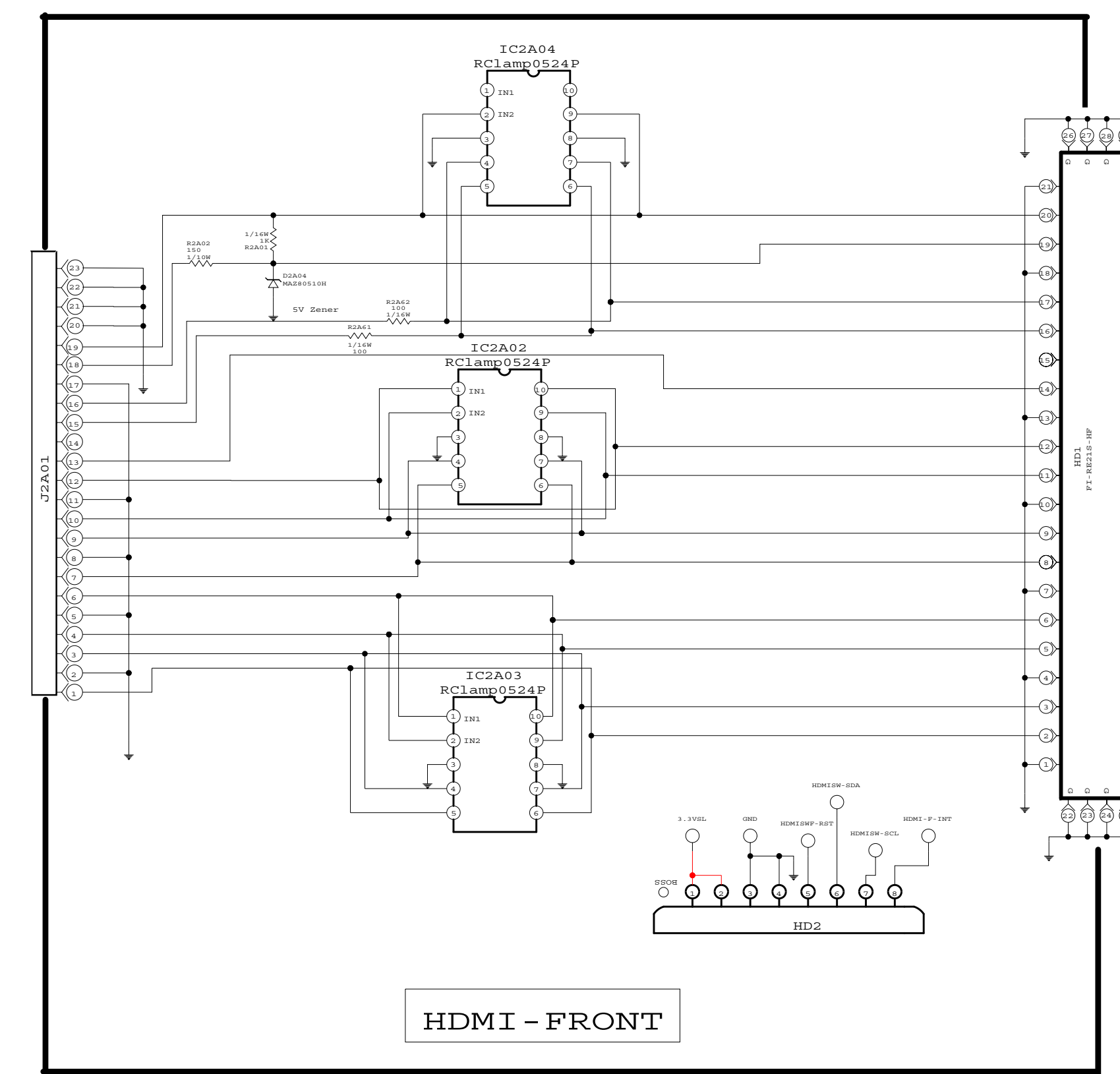
SYSTEM 5/MLINK



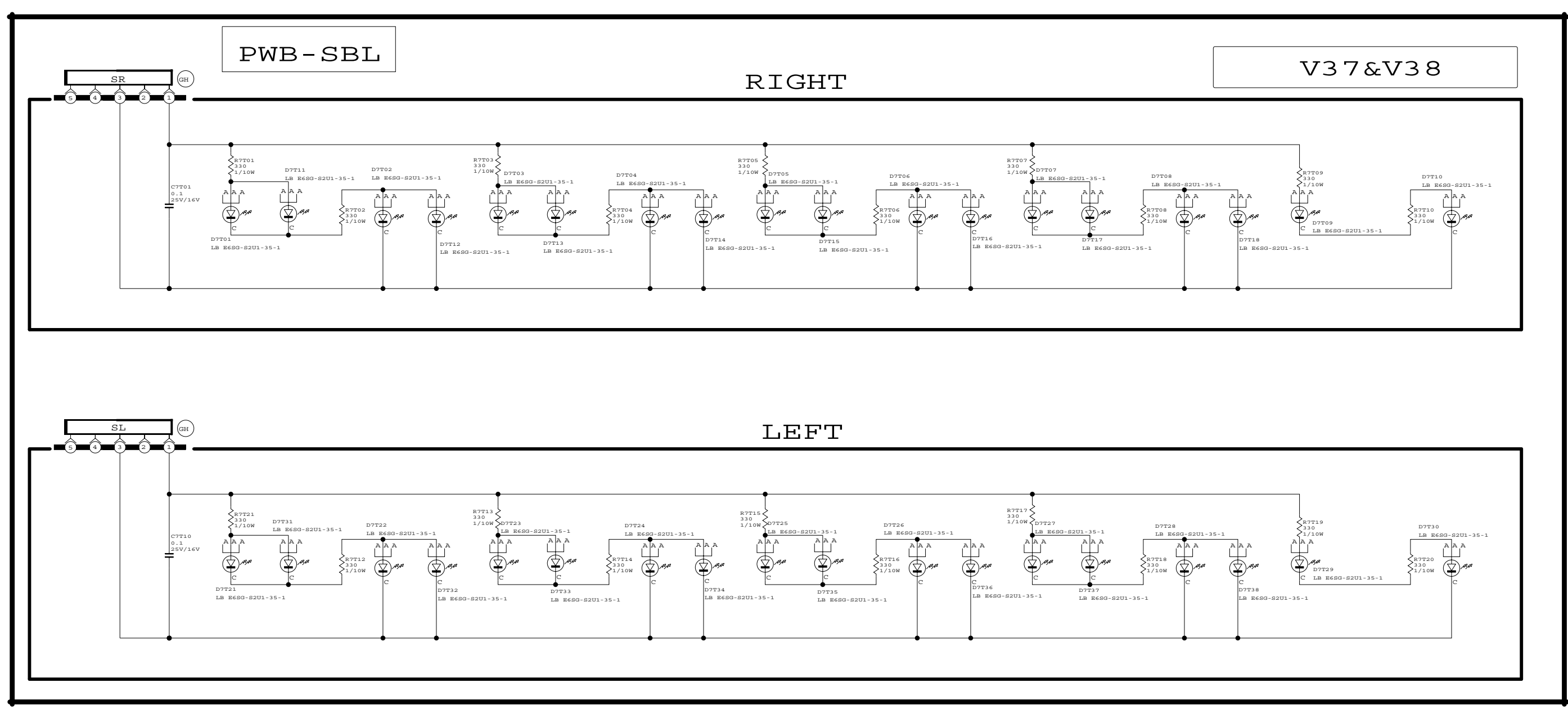
CONTENTS		
PG 1.....BLOCK	PG 15.....MAIN8 [1394] V38	WD-57733 V36
PG 2.....POWER	PG 16.....MAIN9 [SPA2_MAIN]	WD-65733 V36
PG 3.....TERMINAL	PG 17.....MAIN10 [SPA2_MEM]	WD-73733 V36
PG 4.....MAIN1 [DCDC/IF]	PG 18.....MAIN11 [TDMS]	WD-C657 V36L
PG 5.....MAIN2 [TUNER/MISC] V36-V37	PG 19.....MAIN12 [AUDIO]	WD-57734 V37
PG 6.....MAIN2 [TUNER] V38	PG 20.....MAIN13 [MICRO]	WD-65734 V37
PG 7.....MAIN3 [HDMI]	PG 21.....MAIN14 [FPGA] V38	WD-73734 V37
PG 8.....MAIN4 [CORE] V36-V37	PG 22.....MAIN15 [VIDEO_MAIN] V38	WD-Y577 V37L
PG 9.....MAIN4 [CORE] V38	PG 23.....MAIN16 [VIDEO_SUB/MISC] V38	WD-57833 V38
PG 10.....MAIN5 [MEMA]	PG 24.....MAIN17 [GUIDE] V38	WD-65833 V38
PG 11.....MAIN6 [MEMB] V38	PG 25.....MISC [CONT/FRONT/LED/HDMI/SBL/PRE-AMP]	WD-73833 V38
PG 12.....MAIN7 [ROM/AV] V36-V37		
PG 13.....MAIN7 [ROM/AV] V38		
PG 14.....MAIN8 [ADC] V36-V37		



PIN	Signal Assignment
1	T.M.D.S. Data 2+
2	T.M.D.S. Data 2 Shield
3	T.M.D.S. Data 2-
4	T.M.D.S. Data 1+
5	T.M.D.S. Data 1 Shield
6	T.M.D.S. Data 1-
7	T.M.D.S. Data 0+
8	T.M.D.S. Data 0 Shield
9	T.M.D.S. Data 0-
10	T.M.D.S. Clock+
11	T.M.D.S. Clock Shield
12	T.M.D.S. Clock-
13	CEC
14	Reserve
15	EDC Clock
16	EDC Data
17	Ground (return for +5V)
18	+5V Power
19	Hot Plug Detect
Shell	PG
(20)	Location Post (GND)
(21)	Location Post (GND)
(22)	Location Post (GND)
(23)	Location Post (GND)



PIN	Signal Assignment
1	T.M.D.S. Data 2 Shield
2	T.M.D.S. Data 2+
3	T.M.D.S. Data 2-
4	T.M.D.S. Data 1 Shield
5	T.M.D.S. Data 1+
6	T.M.D.S. Data 1-
7	T.M.D.S. Data 0 Shield
8	T.M.D.S. Data 0+
9	T.M.D.S. Data 0-
10	T.M.D.S. Clock Shield
11	T.M.D.S. Clock+
12	T.M.D.S. Clock-
13	CEC
14	CEC
15	Reserved
16	EDC Clock
17	EDC Data
18	+5V Return
19	+5V
20	Hot Plug Detect
21	GND



CONTENTS	
PG 1....BLOCK	WD-57733 V36
PG 2....POWER	WD-65733 V36
PG 3....TERMINAL	WD-73733 V36
PG 4....MAIN1 [DCC/IF]	WD-C657 V36L
PG 5....MAIN2 [TUNER/MISC] V36-V37	WD-57734 V37
PG 6....MAIN2 [TUNER] V38	WD-65734 V37
PG 7....MAIN3 [HDMI]	WD-73734 V37
PG 8....MAIN4 [CORE] V36-V37	WD-Y577 V37L
PG 9....MAIN4 [CORE] V38	WD-Y657 V37L
PG 10....MAIN5 [MEMA]	WD-57833 V38
PG 11....MAIN6 [MEMB] V38	WD-65833 V38
PG 12....MAIN7 [ROM/AV] V36-V37	WD-73833 V38
PG 13....MAIN7 [ROM/AV] V38	
PG 14....MAIN8 [ADC] V36-V37	
PG 15....MAIN8 [1394] V38	
PG 16....MAIN9 [SPA2_MAIN]	
PG 17....MAIN10 [SPA2_MBM]	
PG 18....MAIN11 [TMS]	
PG 19....MAIN12 [AUDIO]	
PG 20....MAIN13 [MICRO]	
PG 21....MAIN14 [FPGA] V38	
PG 22....MAIN15 [VIDIO_MAIN] V38	
PG 23....MAIN16 [VIDIO_SUB/MISC] V38	
PG 24....MAIN17 [GUIDE] V38	
PG 25....MISC [CONT/FRONT/LED/HDMI/SBL/PRE-AMP]	